

4

3

2

1

GENERAL INFORMATION:

SHAFT RUNOUT: .001[.03] T.I.R. PER INCH LENGTH OF EXTENSION.
 BEARINGS: 203 BALL
 MOUNTING POSITION: VERTICAL SHAFT-UP

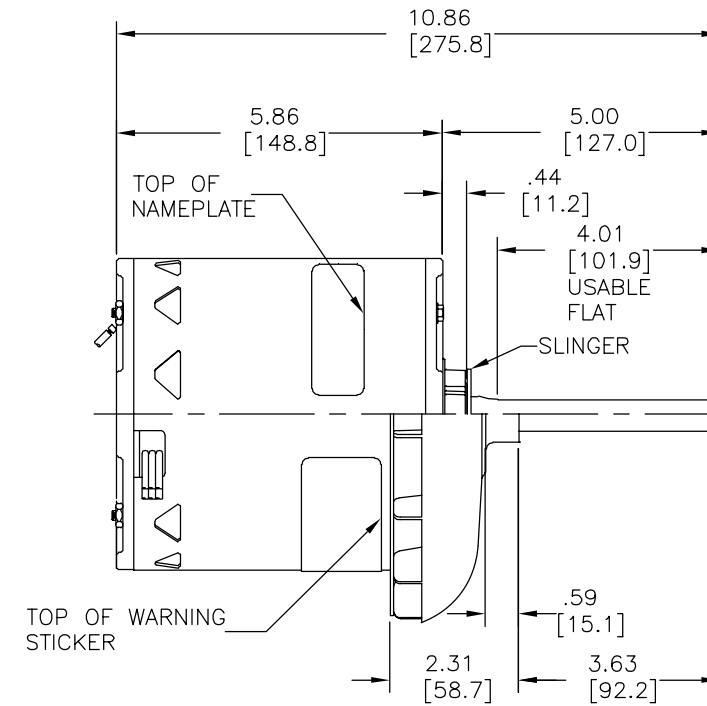
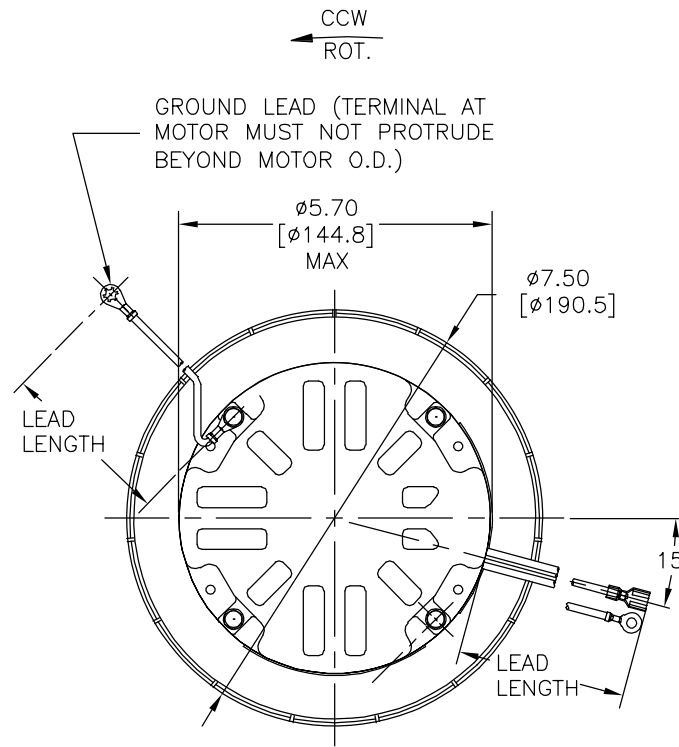
ELECTRICAL DATA:

OVERLOAD PROTECTOR: AUTOMATIC RESET (T.I. 7AM 036)
 LEADS: NO. 16 GA., .06[1.5] THK.,PVC 105°C INSUL.
 GROUND LEAD: NO. 14 GA., .03[.8] THK., GREEN INSUL.

NOTES:
 1. DISTRIBUTION: CUST. P/N: OLE1106
 GRAINGER: CUST. P/N: 4UY51

SEE NOTE 1

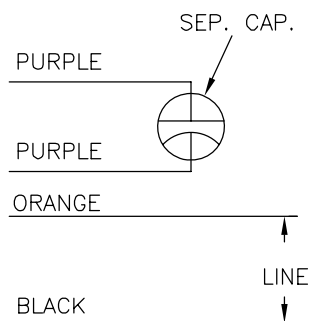
REV	ECO	REV BY	DATE	APPD	DATE
E	0025556	F. MORENO	05-02-2012	M. AVILA	05-02-2012



NAMEPLATE DATA:

MODEL NO.: F48V01A01
 CUST. P/N: []
 HP: 1.00
 ROT: CCWLE
 RPM: 1075
 TYPE: UF
 FRAME: 48Y
 VOLTS: 230
 PH: 1
 AMPS: 5.0
 HZ: 60
 INS: B
 AMB: 40°C
 DUTY: AIR OVER
 ENCL.: SEMI-ENCLOSED
 CAP.: 20 MFD/370 VAC
 UL & CSA LOGO
 THERMALLY PROTECTED

EXTERNAL CONNECTION DIAGRAM

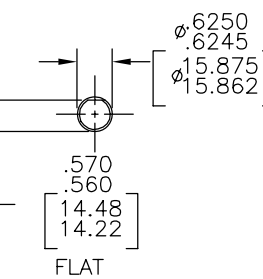


614131-036

GREEN (GND)	10/11 [254/279]	#10 EYELET
PURPLE	68/71 [1727/1803]	.25 FEMALE [6.4] SPADE
PURPLE	68/71 [1727/1803]	.25 FEMALE [6.4] SPADE
BLACK	77/80 [1956/2032]	#10 EYELET
ORANGE	77/80 [1956/2032]	#10 EYELET

COLOR	LENGTH	TERMINAL OR STRIP LENGTH
LEAD DATA		

MAIN FRAME - OLE	ENCLOSED
END FRAME - OLE	OPEN
MAIN FRAME - LE	OPEN
END FRAME - LE	OPEN
ENCLOSURE	



PERFORMANCE CURVE NO.	TORQUE @1075 RPM (25°C)	APPROVED SAMPLE	UL COMPONENT	CSA
C32281	94.2 OZ. FT.	0442686B	FILE # CCN # FILE # CLASS #	
			E46412 PRGY2 LR43341 4211-01	

GEOMETRIC CHARACTERISTICS & SYMBOLS
 □ FLATNESS
 — STRAIGHTNESS
 ∠ ANGULARITY
 ⊥ PERPENDICULARITY (SQUARENESS)
 ∥ PARALLELISM
 ○ ROUNDNESS (CIRCULARITY)
 ∅ CYLINDRICITY
 △ PROFILE OF ANY SURFACE
 ∩ PROFILE OF ANY LINE
 ↗ RUNOUT
 ⊕ TRUE POSITION
 ⊙ CONCENTRICITY
 = SYMMETRY

REGAL-BELOIT CORPORATION (RBC) PROVIDES TECHNICAL ASSISTANCE TO OUR CUSTOMERS IN SEVERAL AREAS. SINCE RBC DOES NOT RECEIVE ALL DATA CONCERNING THE USE AND APPLICATION OF THE MOTOR, THE SUITABILITY OF THE MOTOR FOR THE APPLICATION MUST BE DETERMINED BY THE CUSTOMER.

DIMENSIONS WITHOUT TOLERANCES ARE FOR REFERENCE ONLY.

ASME Y14.5M 1994

DR BY: S.RECKERS 08-06-2004
 APPD: T.RILE 08-07-2004
 EDS DATE 11-11-2011
 FORMAT REV G
 THIRD ANGLE PROJECTION
 CONFIDENTIAL: THIS DRAWING AND ITS INFORMATION ARE THE EXCLUSIVE AND CONFIDENTIAL PROPERTY OF REGAL-BELOIT CORPORATION AND ARE NOT TO BE DISCLOSED, DUPLICATED, DISTRIBUTED OR OTHERWISE USED WITHOUT THE WRITTEN CONSENT OF REGAL-BELOIT CORPORATION. -ALL RIGHTS RESERVED.



DESCRIPTION: MODEL-RFHP-48FR OUTLINE
 SIZE: C DWG NO: 11702-023
 SCALE: NONE SHEET: 1

4

3

2

1

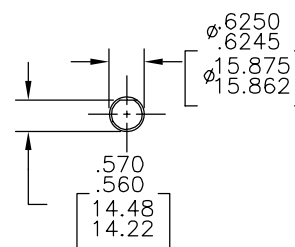
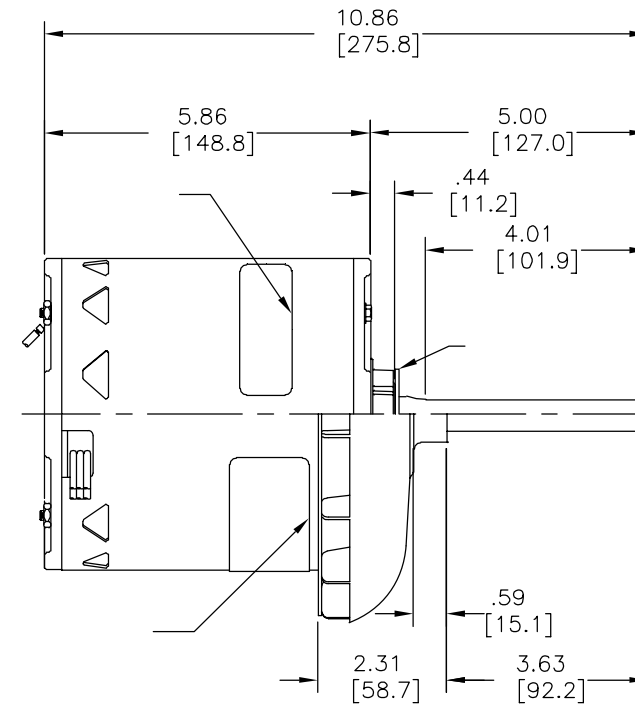
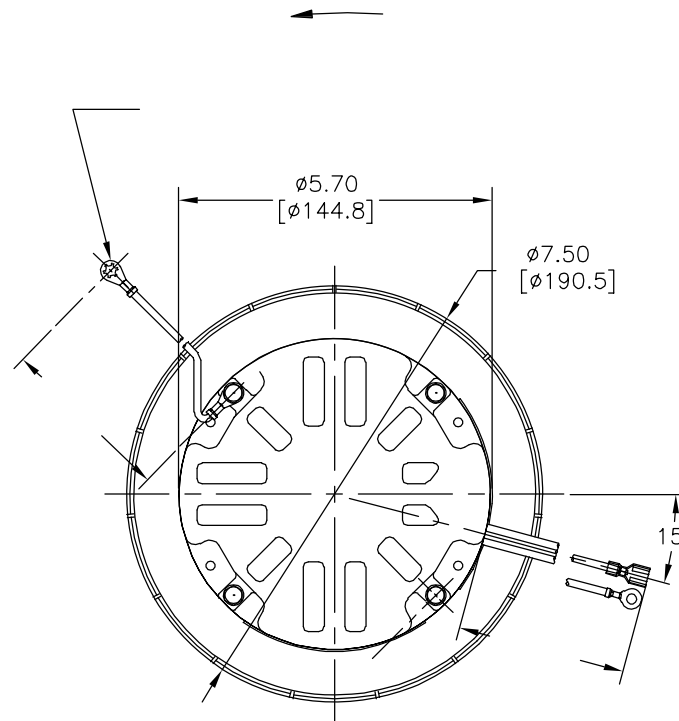
4

3

2

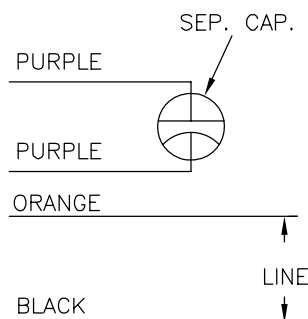
1

REVISION:	ECO	REVISADO POR:	FECHA:	APROBADO POR:	FECHA:
E	0025556	F. MORENO	05-02-2012	M. AVILA	05-02-2012



SEE NOTE 1

MODEL NO.: F48V01A01
 CUST. P/N: []
 HP: 1.00
 ROT: CCWLE
 RPM: 1075
 TYPE: UF
 FRAME: 48Y
 VOLTS: 230
 PH: 1
 AMPS: 5.0
 HZ: 60
 INS: B
 AMB: 40°C
 DUTY: AIR OVER
 ENCL.: SEMI-ENCLOSED
 CAP.: 20 MFD/370 VAC
 UL & CSA LOGO
 THERMALLY PROTECTED



614131-036

	10/11	
	[254/279]	
	68/71	.25
	[1727/1803]	[6.4]
	68/71	.25
	[1727/1803]	[6.4]
	77/80	
	[1956/2032]	
	77/80	
	[1956/2032]	

					CSA
C32281	94.2 OZ. FT.	0442686B	E46412	PRGY2	LR43341 4211-01

CARACTERISTICAS DE GEOMETRIA Y SIMBOLOS
 □ PLANICIDAD
 — RECTITUD
 < ANGULARIDAD
 ⊥ PERPENDICULARIDAD (A ESCUADRA)
 // PARALELISMO
 ○ REDONDEZ (CIRCULARIDAD)
 ∅ CILINDRICIDAD
 △ PERFIL DE CUALQUIER SUPERFICIE
 ∩ PERFIL DE CUALQUIER LINEA
 / VARIACION
 ⊕ POSICION REAL
 ⊙ CONCENTRICIDAD
 = SIMETRIA
 ASME Y14.5M 1994

REGAL-BELOIT CORPORATION (RBC)
 PROVEE ASISTENCIA TECNICA A
 NUESTROS CLIENTES EN VARIAS AREAS.
 DESDE QUE RBC NO RECIBE TODOS
 LOS DATOS EN RELACION AL USO Y A
 LA APLICACION DEL MOTOR, LA
 APLICACION ADECUADA DEL MOTOR
 DEBE SER DETERMINADA POR EL
 CLIENTE.

DIMENSIONES SIN TOLERANCIA SON
 DE REFERENCIA SOLAMENTE

DIBUJADO POR: S.RECKERS
 08-06-2004
 APROBADO POR: T.RILE
 08-07-2004
 TERCER ANGULO DE PROYECCION
 CONFIDENCIAL: ESTE DIBUJO Y SU INFORMACION SON PROPIEDAD DE USO EXCLUSIVO Y CONFIDENCIAL DE REGAL-BELOIT CORPORATION. Y NO DEBERAN SER REVELADOS, DUPLICADOS, DISTRIBUIDOS O USARSE DE OTRA MANERA SIN EL CONSENTIMIENTO ESCRITO DE REGAL-BELOIT CORPORATION. -TODOS LOS DERECHOS RESERVADOS.



DESCRIPCION: MODEL-RFHP-48FR
 OUTLINE
 TAMAÑO: C NUMERO DE DIBUJO: 11702-023
 ESCALA: NONE HOJA: 1

4

3

2

1

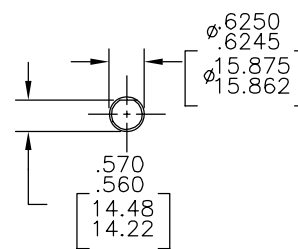
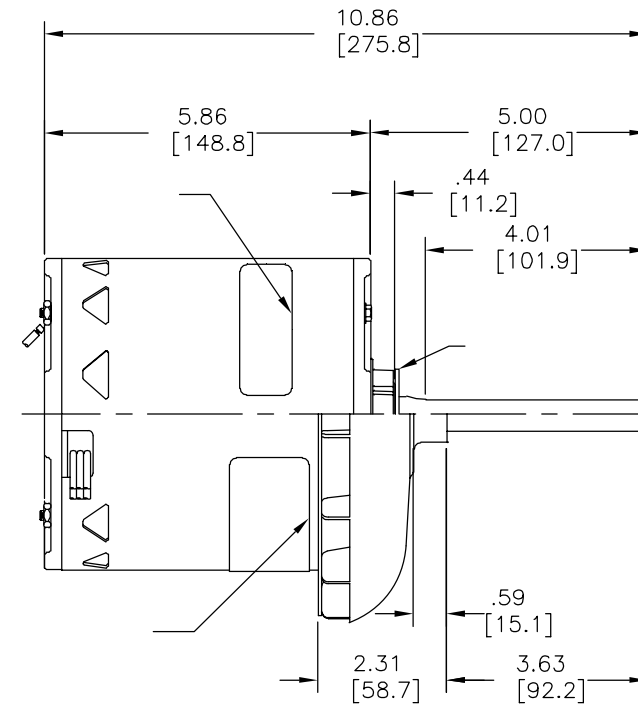
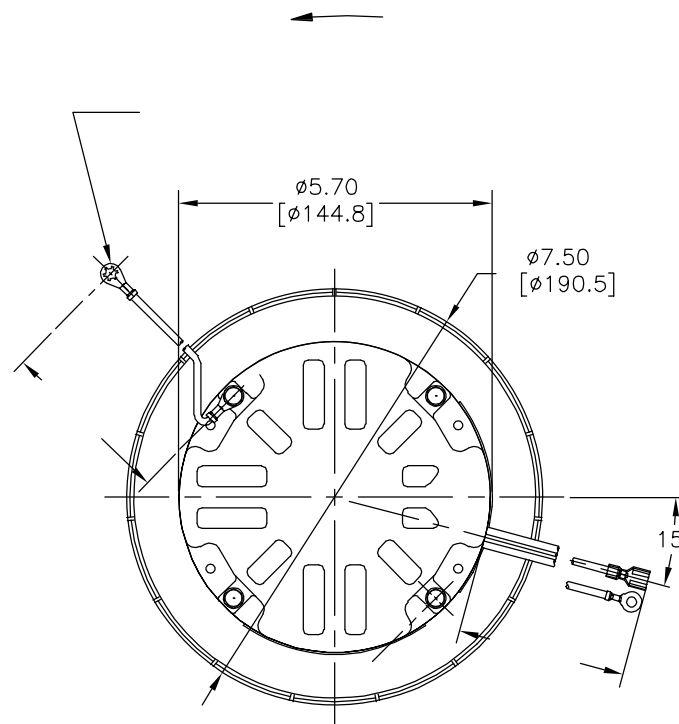
4

3

2

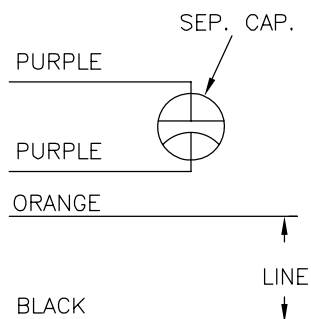
1

版本	ECO	编制	日期	批准	日期
E	0025556	F. MORENO	05-02-2012	M. AVILA	05-02-2012



SEE NOTE 1

MODEL NO.: F48V01A01
 CUST. P/N: []
 HP: 1.00
 ROT: CCWLE
 RPM: 1075
 TYPE: UF
 FRAME: 48Y
 VOLTS: 230
 PH: 1
 AMPS: 5.0
 HZ: 60
 INS: B
 AMB: 40°C
 DUTY: AIR OVER
 ENCL.: SEMI-ENCLOSED
 CAP.: 20 MFD/370 VAC
 UL & CSA LOGO
 THERMALLY PROTECTED



614131-036

	10/11	
	[254/279]	
	68/71	.25
	[1727/1803]	[6.4]
	68/71	.25
	[1727/1803]	[6.4]
	77/80	
	[1956/2032]	
	77/80	
	[1956/2032]	

						CSA
C32281	94.2 OZ. FT.	0442686B	E46412	PRGY2	LR43341	4211-01

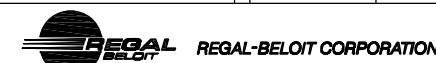
- 形位公差
- 平面度
- 直线度
- ∠ 倾斜度
- ⊥ 垂直度
- // 平行度
- 圆度
- ⊘ 圆柱度
- △ 面轮廓度
- ∩ 线轮廓度
- ↗ 圆跳动
- ⊕ 位置度
- ⊙ 同轴度
- ≡ 对称度

ASME Y14.5M 1994

REGAL-BELOIT CORPORATION (RBC) 在个别领域为客户提供技术支持。鉴于RBC未收到任何涉及电机使用和应用环境的数据，电机的适用性由客户自己决定。

未注公差尺寸仅供参考。

绘图: S.RECKERS 08-06-2004
 批准: T.RILE 08-07-2004
 第三角投影
 图名: 电机格式发布日期 11-11-2011
 图名: 电机格式版本 G
 机密: 本图纸及相关信息所有权归REGAL-BELOIT CORPORATION。未经REGAL-BELOIT CORPORATION书面授权，不得泄露、复制、传播或作其他用途。—版权所有



名称: MODEL-RFHP-48FR OUTLINE
 图幅: C 图号: 11702-023
 比例: NONE 页号: 1

4

3

2

1