

4

3

2

1

GENERAL INFORMATION:

SHAFT RUNOUT: .001 [.03] T.I.R. PER INCH LENGTH OF EXTENSION

END PLAY: .010[.25] TO .063[1.60]

BEARINGS: SLEEVE

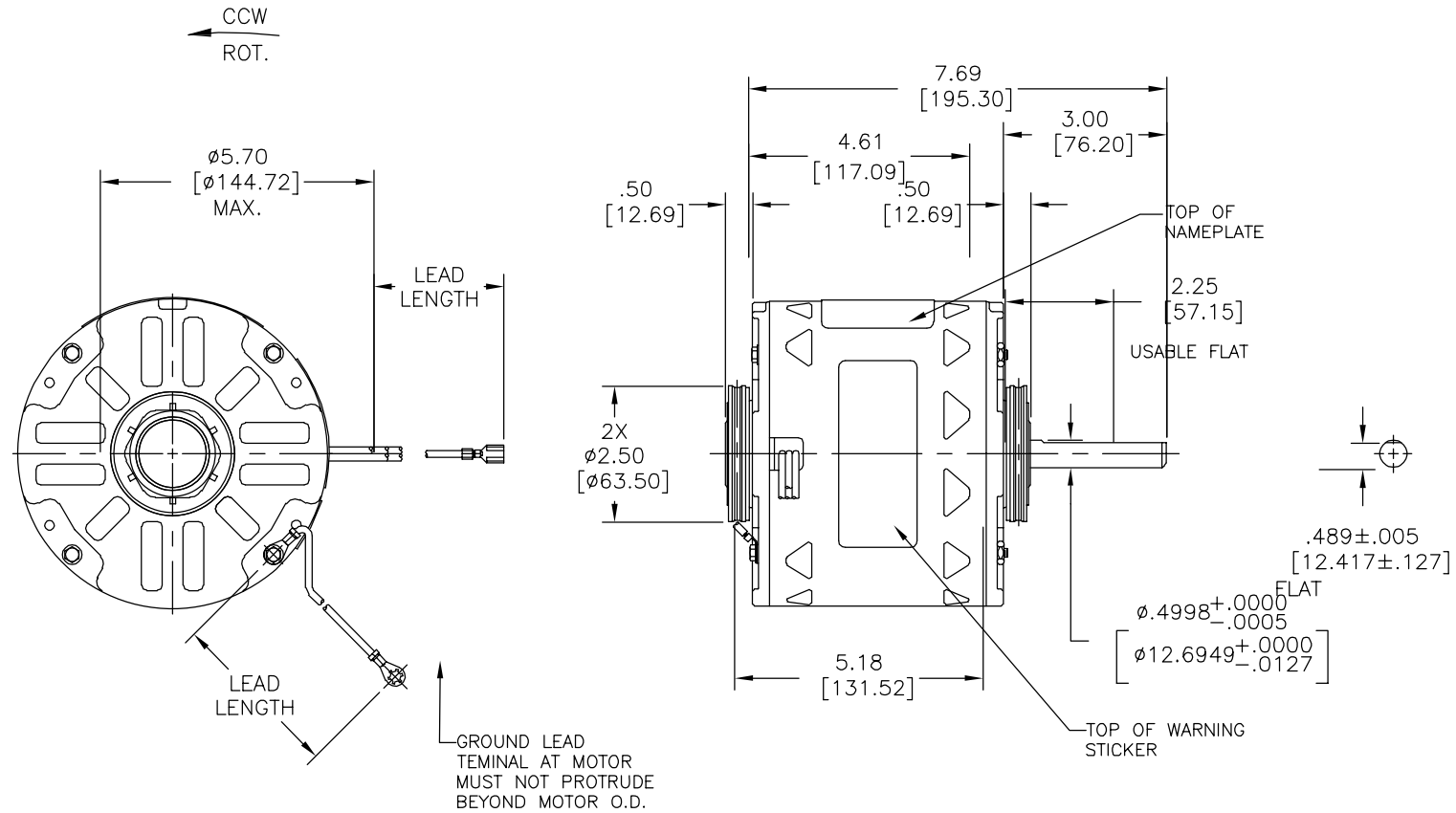
MOUNTING POSITION: ALL ANGLE

ELECTRICAL DATA:

OVERLOAD PROTECTOR: AUTOMATIC RESET (T.I. 7AM 036)

LEADS: NO. 18 GA., .06[1.5] THK., PVC 105°C INSUL.

GROUND LEAD: NO. 18 GA., .03 [.8] THK., (GREEN/YELLOW) INSUL.

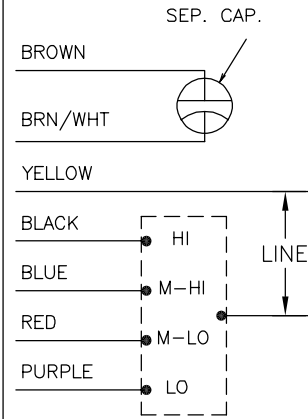


SEE NOTE 1

NAMEPLATE DATA:

EXTERNAL CONNECTION DIAGRAM

MODEL NO: F48V38A01
 CUST. P/N:
 HP: 1/3
 ROT.: CCWLE
 RPM: 1075/4 SPD
 TYPE: UF
 FRAME: 48Y
 VOLTS: 208-230
 PH: 1
 AMPS: 2.6
 HZ: 60
 INS.: B
 AMB: 40°C
 DUTY: AIR OVER
 CODE: -
 CAP.: 7.5 MFD/370V
 ENCL: OPEN
 UL & CSA LOGO
 THERMALLY PROTECTED



614131-316

COLOR	LENGTH	TERMINAL OR STRIP LENGTH
GREEN/YELLOW (GRD)	11/13 [279/330]	#10 EYELET
BROWN	19/21 [483/533]	.25[6.4] FEMALE SPADE
BROWN/WHITE	19/21 [483/533]	.25[6.4] FEMALE SPADE
YELLOW	46/50 [1168/1270]	.25[6.4] FEMALE SPADE
BLACK	46/50 [1168/1270]	.25[6.4] FEMALE SPADE
BLUE	46/50 [1168/1270]	.25[6.4] FEMALE SPADE
RED	46/50 [1168/1270]	.25[6.4] FEMALE SPADE
PURPLE	46/50 [1168/1270]	.25[6.4] FEMALE SPADE
LEAD DATA		

NOTES:
 1. DISTRIBUTION PART NUMBER: OLE1036H
 GRAINGER PART NUMBER: 4VA13

MAIN FR. - OLE	OPEN
END FR. - OLE	OPEN
MAIN FR. - LE	OPEN
END FR. - LE	OPEN
ENCLOSURE	

CUST	DISTRIBUTION SERVICES
------	-----------------------

PERFORMANCE CURVE NO.	TORQUE @ 1075 RPM (25°C)	APPROVED SAMPLE	UL COMPONENT		CSA	
			FILE #	GUIDE #	FILE #	GUIDE #
C32084	47.5 OZ. FT.	0142663A	E46412	PRG2	LR43341	4211-01

DRAWING REVISION: F	REVISION BY: E.VILLA	DATE: 04-30-2014	TOLERANCES UNLESS OTHERWISE SPECIFIED	DRAWN BY: J.RUPERT	Regal Beloit America, Inc.
ECO: ECO-0049870	APPROVED BY: J.RUIZ	DATE: 04-30-2014	DEC. INCH mm ANGLE .X ±0.1 [±2.5] ±0.5° .XX ±0.02 [±0.51] .XXX ±0.005 [±0.127] .XXXX ±0.0005 [±0.0127] REMOVE BURRS & BREAK SHARP EDGES .003/.015 [0.076/.381] CORNER FILLETS .02 [1.51] MACHINED SURFACES 125 INCH/mm .1mm SHOWN IN [BRACKETS]	DATE: 09-16-2004	
COPYRIGHT REGAL BELOIT AMERICA, INC. ALL RIGHTS RESERVED. PROPRIETARY AND CONFIDENTIAL INFORMATION - THIS DOCUMENT IS THE PROPERTY OF REGAL BELOIT AMERICA, INC. (OWNER) AND CONTAINS OWNER'S PROPRIETARY INFORMATION. ANY PERSON, CORPORATION OR OTHER FIRM RECEIVING IT IS DEEMED, BY RECEIVING IT, TO AGREE THAT IT, AND/OR ANY PART OF IT, SHALL NOT BE DISCLOSED TO ANY PERSON, CORPORATION OR OTHER ENTITY, DUPLICATED, AND/OR USED, EXCEPT AS EXPRESSLY APPROVED IN WRITING IN ADVANCE BY OWNER. THIS DOCUMENT SHALL BE RETURNED TO OWNER UPON REQUEST. IT MAY BE SUBJECT TO CERTAIN RESTRICTIONS UNDER APPLICABLE EXPORT CONTROL LAWS AND REGULATIONS.				APPROVED BY:	MATERIAL:
				PROCESS/FINISH:	SIZE DWG NO: 11772-006
				THIRD ANGLE PROJECTION:	SHEET: 1

4

3

2

1