

GENERAL INFORMATION:

SHAFT RUNOUT: .001 [.03] T.I.R. PER INCH LENGTH OF EXTENSION

BEARINGS: BALL

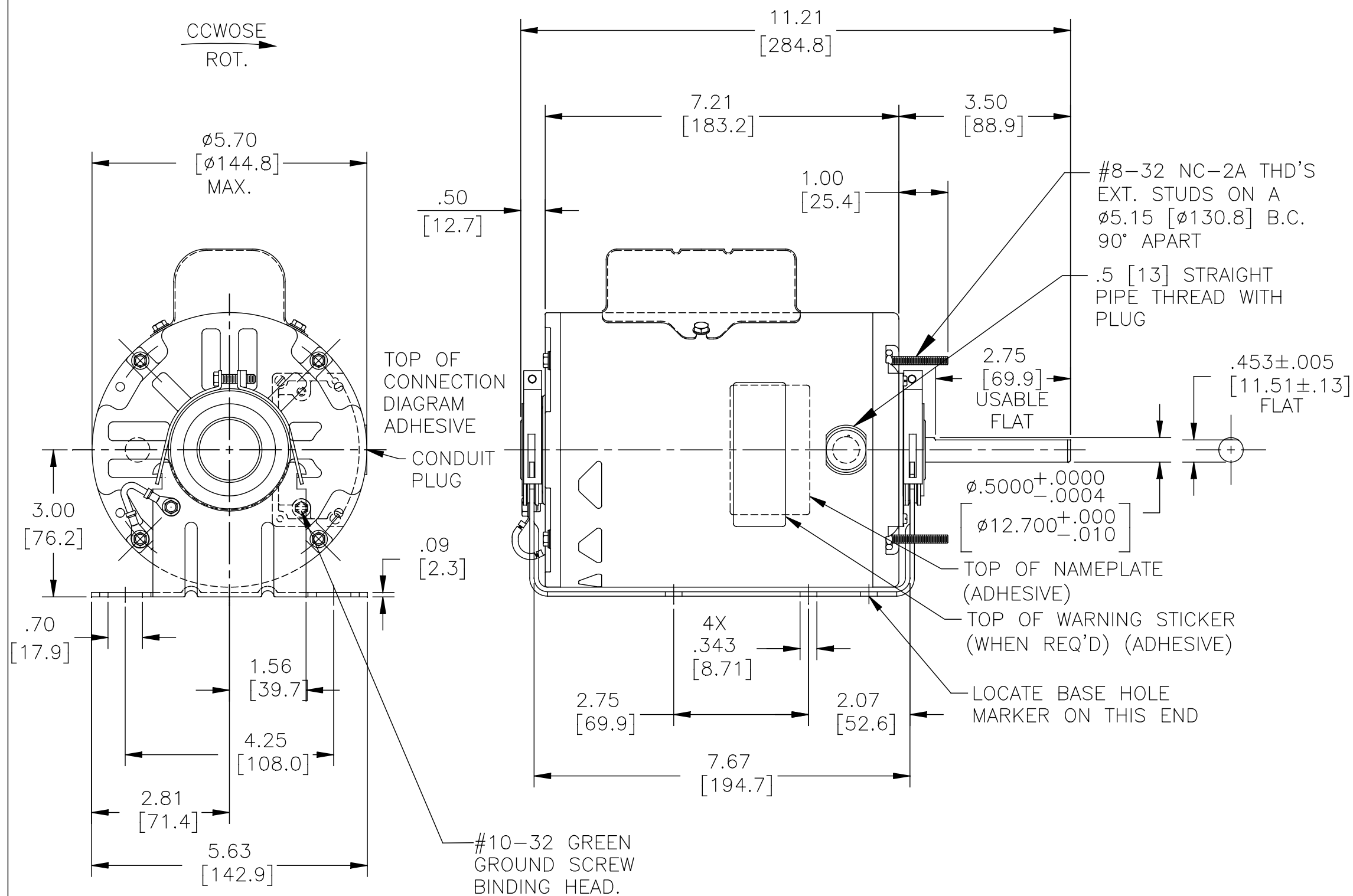
MOUNTING POSITION: HORIZONTAL

ELECTRICAL DATA:

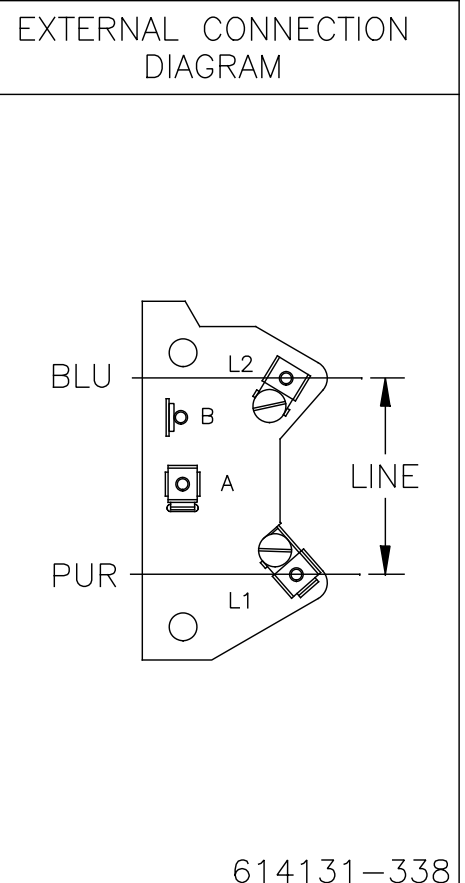
OVERLOAD PROTECTOR: AUTOMATIC RESET (SENSATA 7AM 036)

LEADS: NO. 18 GA., .03 [.8] THK. XLP 125°C INSUL.

GROUND LEAD: NO. 18 GA., .03 [.8] THK. GRN. INSUL.



NAMEPLATE DATA:
 MODEL NO.: F48X99A01
 CUST. P/N: OKT3041
 HP: 1/2
 ROT.: CCWOSE
 RPM: 1075
 TYPE: UF
 FRAME: 48
 VOLTS: 208-230
 PH: 1
 AMPS: 4.3
 HZ: 60
 INS.: B
 AMB.: 40°C
 DUTY: AIR OVER
 CAP.: 7.5 MFD/370 V
 ENCL: SEMI-ENCL.
 UL LOGO
 CSA LOGO
 THERMALLY PROTECTED



614131-338

COLOR	LENGTH	TERMINAL OR STRIP LENGTH
GREEN (GRD)	CONNECTED TO BASE	#8 EYELET
BRN/WHT	CONNECTED TO CAPACITOR	.25 [6.4] FLAG
BROWN	CONNECTED TO CAPACITOR	.25 [6.4] FLAG
BLUE	5.5/7.5 [140/191]	.25 [6.4] FLAG
PURPLE	3.5/5.5 [89/140]	.25 [6.4] FLAG

REGAL-BELOIT CORPORATION (RBC) PROVIDES TECHNICAL ASSISTANCE TO OUR CUSTOMERS IN SEVERAL AREAS. SINCE RBC DOES NOT RECEIVE ALL DATA CONCERNING THE USE AND APPLICATION OF THE MOTOR, THE SUITABILITY OF THE MOTOR FOR THE APPLICATION MUST BE DETERMINED BY THE CUSTOMER.

DIMENSIONS WITHOUT TOLERANCES ARE FOR REFERENCE ONLY.

MAIN FRAME - OLE	SEMI-ENCL.
END FRAME - OLE	OPEN
MAIN FRAME - LE	ENCLOSED
END FRAME - LE	ENCLOSED

CUSTOMER DISTRIBUTION SERVICES

PERFORMANCE CURVE NO.	TORQUE @1075 RPM (25°C)	APPROVED SAMPLE	UL COMPONENT FILE #	CCN #	CSA FILE #	CLASS #
C32605	56.7 OZ. FT.	0501472A	E46412	PRGY2	LR43341	4211-01

LEAD DATA

DRAWING REVISION F	REVISION BY J. RUPERT	DATE 09-13-2016
ECO ECO-0107609	APPROVED BY J. RUPERT	DATE 09-13-2016
ECO DESCRIPTION CHANGED LENGTH TO FIT BASE		

COPYRIGHT REGAL-BELOIT AMERICA, INC. ALL RIGHTS RESERVED. PROPRIETARY AND CONFIDENTIAL INFORMATION - THIS DOCUMENT IS THE PROPERTY OF REGAL-BELOIT AMERICA, INC. (OWNER) AND CONTAINS OWNER'S PROPRIETARY INFORMATION. ANY PERSON, CORPORATION OR OTHER FIRM RECEIVING IT IS DEEMED, BY RECEIVING IT, TO AGREE THAT IT, AND/OR ANY PART OF IT, SHALL NOT BE DISCLOSED TO ANY PERSON, CORPORATION OR OTHER ENTITY, DUPLICATED, AND/OR USED, EXCEPT AS EXPRESSLY APPROVED IN WRITING IN ADVANCE BY OWNER. THIS DOCUMENT SHALL BE RETURNED TO OWNER UPON REQUEST. IT MAY BE SUBJECT TO CERTAIN RESTRICTIONS UNDER APPLICABLE EXPORT CONTROL LAWS AND REGULATIONS.

DRAWN BY: S. RECKERS	REGAL™ Regal Beloit America, Inc.
DATE: 09-12-2006	
APPROVED BY: T. RILEY	DESCRIPTION: MODEL-RFHP-48FR OUTLINE
DATE: 09-26-2006	MATERIAL: _____
REFERENCE: _____	PROCESS/FINISH: _____
THIRD ANGLE PROJECTION	SIZE DWG NO: C OKT3041
	SHEET 1