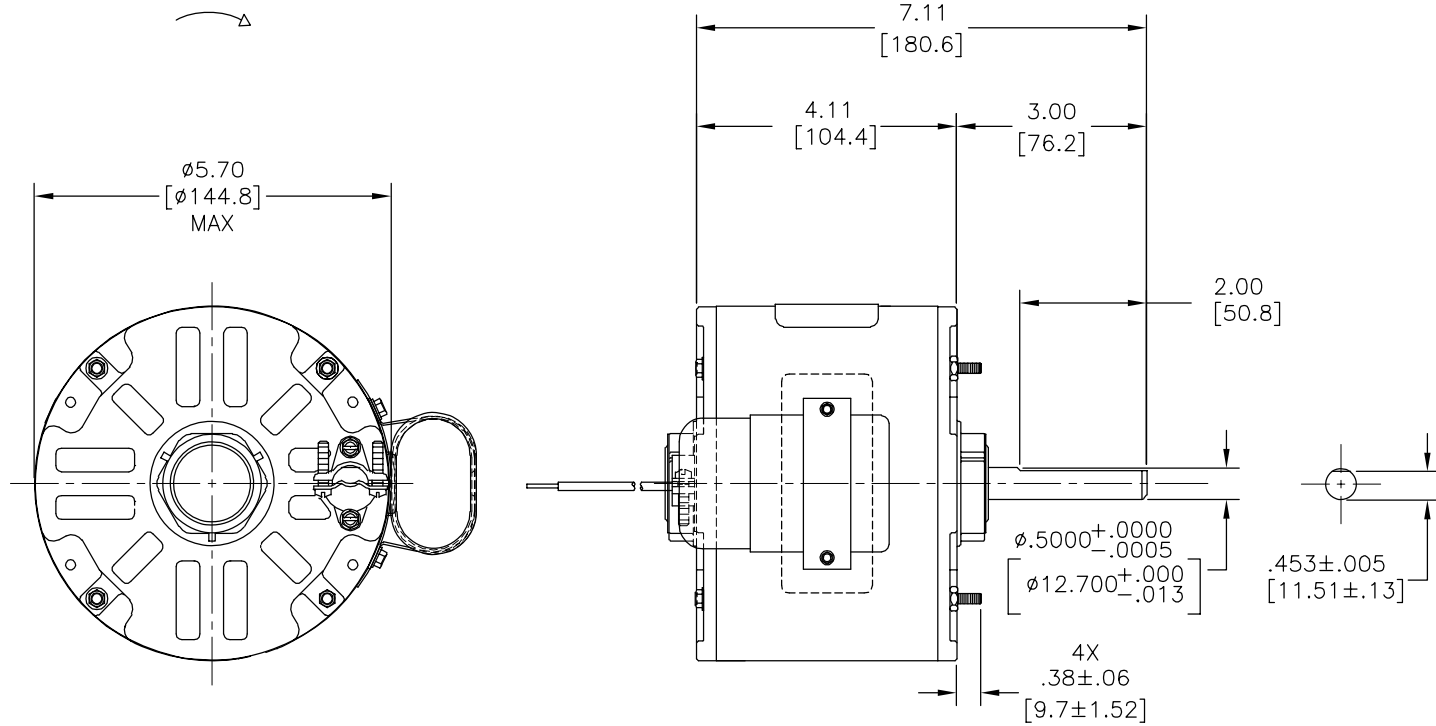
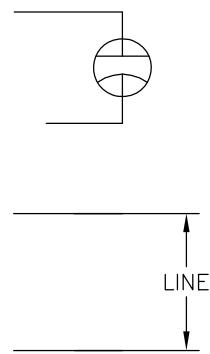


版本	ECO	编制	日期	批准	日期
E	ECO-0034278	A.RODRIGUEZ	07-02-2013	D.MUÑOZ	07-02-2013



F48V32A01
OHS10206
1/5
CWLE
1075
UF
48Y
208-230
1
1.3-1.4
60
B
40°C
5 MFD/370 V



614131-230

	CONNECTED TO CAPACITOR	
	CONNECTED TO CAPACITOR	
	23.0/25.0	
	[584/635]	
	23.0/25.0	
	[584/635]	
	LENGTH	

MAIN FRAME - OLE	
END FRAME - OLE	

C32350	20.6 OZ. FT.	0442614B	E46412	PRGY2	LR43341	4211-01
--------	--------------	----------	--------	-------	---------	---------

- 形位公差
- 平面度
 - 直线度
 - ∠ 倾斜度
 - ⊥ 垂直度
 - // 平行度
 - 圆度
 - ⊘ 圆柱度
 - ⊙ 圆跳动
 - ⌒ 面轮廓度
 - ⌒ 线轮廓度
 - ↗ 圆跳动
 - ⊕ 位置度
 - ⊙ 同轴度
 - ≡ 对称度

ASME Y14.5M 1994

REGAL-BELOIT CORPORATION (RBC) 在个别领域为客户提供技术支持。鉴于RBC未收到任何涉及电机使用和应用环境的数据，电机的适用性由客户自己决定。

未注公差尺寸仅供参考。

绘图:	AJB	05-08-2007
批准:	AJB	05-08-2007
第三角投影		图纸格式发布日期 11-11-2011 图纸格式版本 H
机密: 本图纸及相关信息所有权归REGAL-BELOIT CORPORATION。未经REGAL-BELOIT CORPORATION书面授权, 不得泄露、复制或传播或作其他用途。—版权所有		

REGAL REGAL-BELOIT CORPORATION

名称	MODEL-RFHP-48FR OUTLINE	
图幅	C	图号 F48V32A01
比例	NONE	页号 1

4

3

2

1

REV	ECO	REV BY	DATE	APPD	DATE
E	ECO-0034278	A.RODRIGUEZ	07-02-2013	D.MUÑOZ	07-02-2013

GENERAL INFORMATION:

SHAFT RUNOUT: .001[.03] T.I.R. PER INCH LENGTH OF EXTENSION

BEARINGS: BALL

MOUNTING POSITION: HORIZONTAL

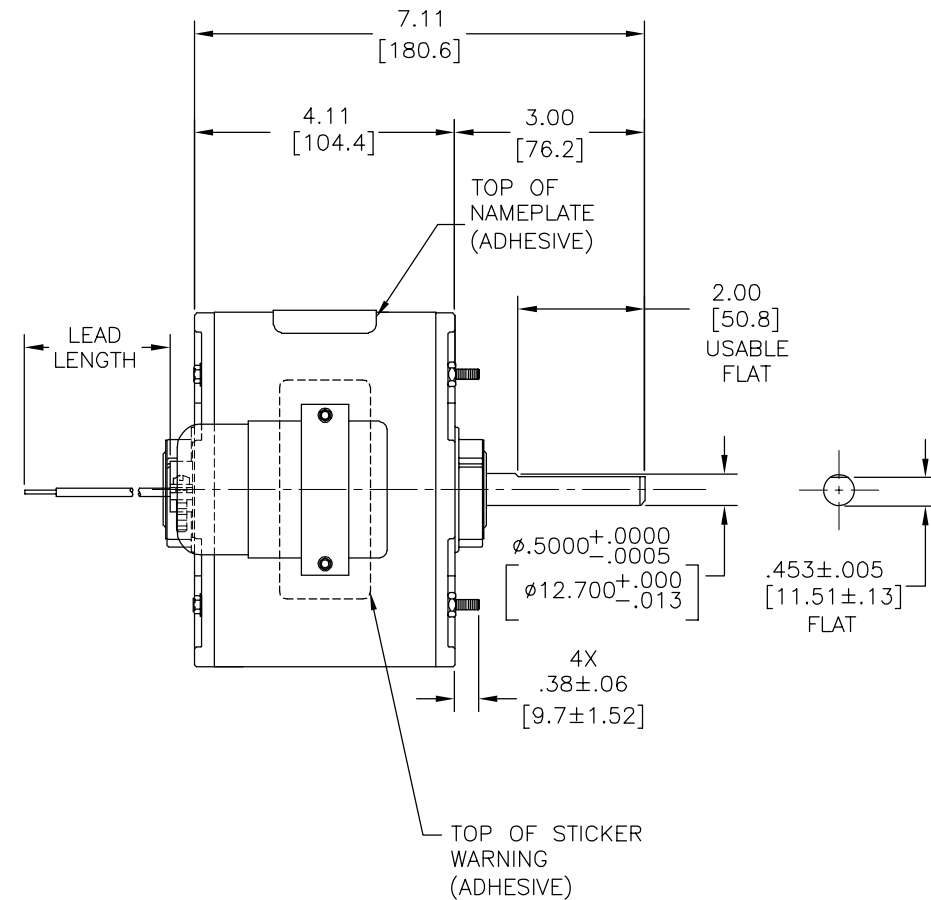
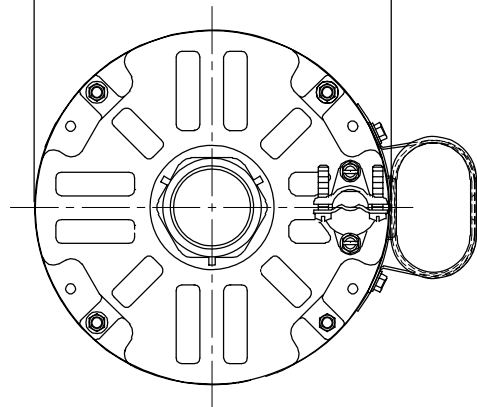
ELECTRICAL DATA:

OVERLOAD PROTECTOR: AUTOMATIC RESET (SENSATA 7AM 036)

LEADS: NO. 18 GA., .03[.8] THK. 125°C INSUL.

CWLE
ROT. Δ

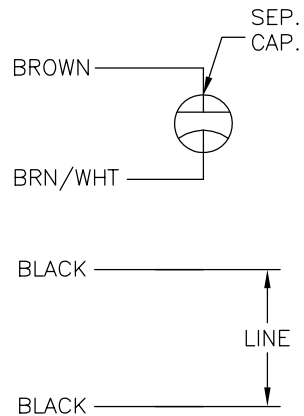
$\phi 5.70$
[$\phi 144.8$]
MAX



NAMEPLATE DATA:

EXTERNAL CONNECTION DIAGRAM

MODEL NO.: F48V32A01
CUST. P/N: OHS10206
HP: 1/5
ROT.: CWLE
RPM: 1075
TYPE: UF
FRAME: 48Y
VOLTS: 208-230
PH: 1
AMPS: 1.3-1.4
HZ: 60
INS.: B
AMB.: 40°C
DUTY: AIR OVER
CODE: -
CAP.: 5 MFD/370 V
ENCL: SEMI-ENCL
UL LOGO
CSA LOGO
THERMALLY PROTECTED



614131-230

BROWN/WHITE	CONNECTED TO CAPACITOR	.25 [6.4] FLAG
BROWN	CONNECTED TO CAPACITOR	.25 [6.4] FLAG
BLACK	23.0/25.0 [584/635]	.50 [12.7] STRIP
BLACK	23.0/25.0 [584/635]	.50 [12.7] STRIP
COLOR	LENGTH	TERMINAL OR STRIP LENGTH

MAIN FRAME - OLE	ENCLOSED
END FRAME - OLE	OPEN
MAIN FRAME - LE	ENCLOSED
END FRAME - LE	OPEN

CUSTOMER	DISTRIBUTION SERVICES
----------	-----------------------

PERFORMANCE CURVE NO.	TORQUE @1075 RPM (25°C)	APPROVED SAMPLE	UL COMPONENT		CSA		
	C32350		20.6 OZ. FT.	0442614B	FILE #	CCN #	FILE #
			E46412	PRGY2	LR43341	4211-01	

GEOMETRIC CHARACTERISTICS & SYMBOLS
 \square FLATNESS
 $-$ STRAIGHTNESS
 \sphericalangle ANGULARITY
 \perp PERPENDICULARITY (SQUARENESS)
 \parallel PARALLELISM
 \bigcirc ROUNDNESS (CIRCULARITY)
 \oslash CYLINDRICITY
 Δ PROFILE OF ANY SURFACE
 ∇ PROFILE OF ANY LINE
 \curvearrowright RUNOUT
 \oplus TRUE POSITION
 \odot CONCENTRICITY
 \equiv SYMMETRY
 ASME Y14.5M 1994

REGAL-BELOIT CORPORATION (RBC) PROVIDES TECHNICAL ASSISTANCE TO OUR CUSTOMERS IN SEVERAL AREAS. SINCE RBC DOES NOT RECEIVE ALL DATA CONCERNING THE USE AND APPLICATION OF THE MOTOR, THE SUITABILITY OF THE MOTOR FOR THE APPLICATION MUST BE DETERMINED BY THE CUSTOMER.

DIMENSIONS WITHOUT TOLERANCES ARE FOR REFERENCE ONLY.

DR BY: AJB 05-08-2007
 APPD: AJB 05-08-2007
 THIRD ANGLE PROJECTION
 EDS DATE 11-11-2011
 FORMAT REV H
 CONFIDENTIAL: THIS DRAWING AND ITS INFORMATION ARE THE EXCLUSIVE AND CONFIDENTIAL PROPERTY OF REGAL-BELOIT CORPORATION AND ARE NOT TO BE DISCLOSED, DUPLICATED, DISTRIBUTED OR OTHERWISE USED WITHOUT THE WRITTEN CONSENT OF REGAL-BELOIT CORPORATION. -ALL RIGHTS RESERVED.



DESCRIPTION	
MODEL-RFHP-48FR OUTLINE	
SIZE	DWG NO
C	F48V32A01
SCALE	SHEET
NONE	1

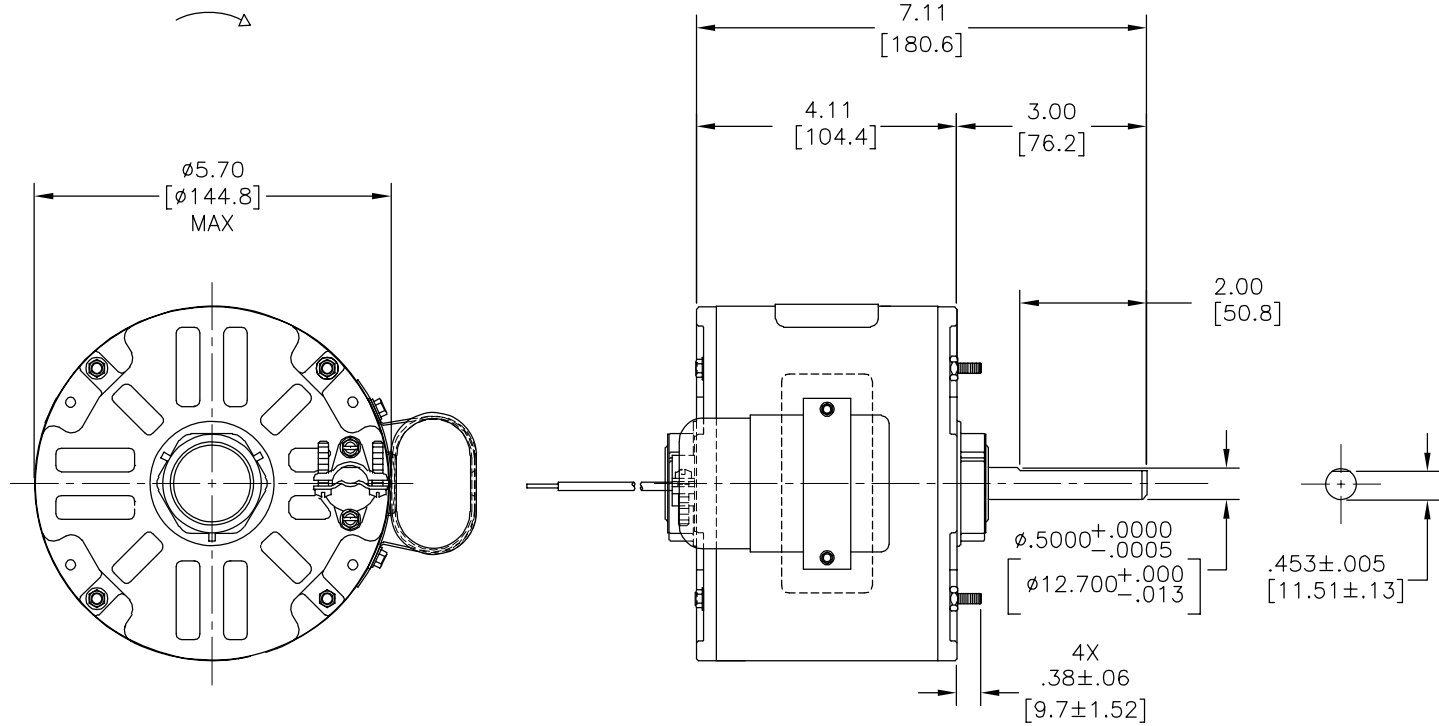
4

3

2

1

REVISION:	ECO	REVISADO POR:	FECHA:	APROBADO POR:	FECHA:
E	ECO-0034278	A.RODRIGUEZ	07-02-2013	D.MUÑOZ	07-02-2013



F48V32A01
OHS10206

1/5
CWLE
1075
UF
48Y
208-230

1
1.3-1.4

60
B
40°C

5 MFD/370 V

614131-230

	CONNECTED TO CAPACITOR	
	CONNECTED TO CAPACITOR	
	23.0/25.0	
	[584/635]	
	23.0/25.0	
	[584/635]	
	LENGTH	

MAIN FRAME - OLE	
END FRAME - OLE	

C32350	20.6 OZ. FT.	0442614B	E46412	PRGY2	LR43341	4211-01
--------	--------------	----------	--------	-------	---------	---------

CARACTERISTICAS DE GEOMETRIA Y SIMBOLOS

- ▭ PLANICIDAD
- RECTITUD
- ∠ ANGULARIDAD
- ⊥ PERPENDICULARIDAD (A ESCUADRA)
- // PARALELISMO
- REDONDEZ (CIRCULARIDAD)
- ⊘ CILINDRICIDAD
- △ PERFIL DE CUALQUIER SUPERFICIE
- ∩ PERFIL DE CUALQUIER LINEA
- ↕ VARIACION
- ⊕ POSICION REAL
- ◎ CONCENTRICIDAD
- = SIMETRIA

ASME Y14.5M 1994

REGAL-BELOIT CORPORATION (RBC) PROVEE ASISTENCIA TECNICA A NUESTROS CLIENTES EN VARIAS AREAS. DESDE QUE RBC NO RECIBE TODOS LOS DATOS EN RELACION AL USO Y A LA APLICACION DEL MOTOR, LA APLICACION ADECUADA DEL MOTOR DEBE SER DETERMINADA POR EL CLIENTE.

DIMENSIONES SIN TOLERANCIA SON DE REFERENCIA SOLAMENTE

DIBUJADO POR: AJB 05-08-2007

APROBADO POR: AJB 05-08-2007

TERCER ANGULO DE PROYECCION

FECHA EDS: 11-11-2011

REV. FORMATO: H

CONFIDENCIAL: ESTE DIBUJO Y SU INFORMACION SON PROPIEDAD DE USO EXCLUSIVO Y CONFIDENCIAL DE REGAL-BELOIT CORPORATION. Y NO DEBERAN SER REVELADOS, DUPLICADOS, DISTRIBUIDOS O USARSE DE OTRA MANERA SIN EL CONSENTIMIENTO ESCRITO DE REGAL-BELOIT CORPORATION. -TODOS LOS DERECHOS RESERVADOS.



DESCRIPCION: MODEL-RFHP-48FR OUTLINE

TAMAÑO: C NUMERO DE DIBUJO: F48V32A01

ESCALA: NONE HOJA: 1