

GENERAL INFORMATION:

SHAFT RUNOUT: .001[.03] T.I.R. PER INCH LENGTH OF EXTENSION.

END PLAY: .010[.25] TO .63 [1.60]

BEARINGS: SLEEVE

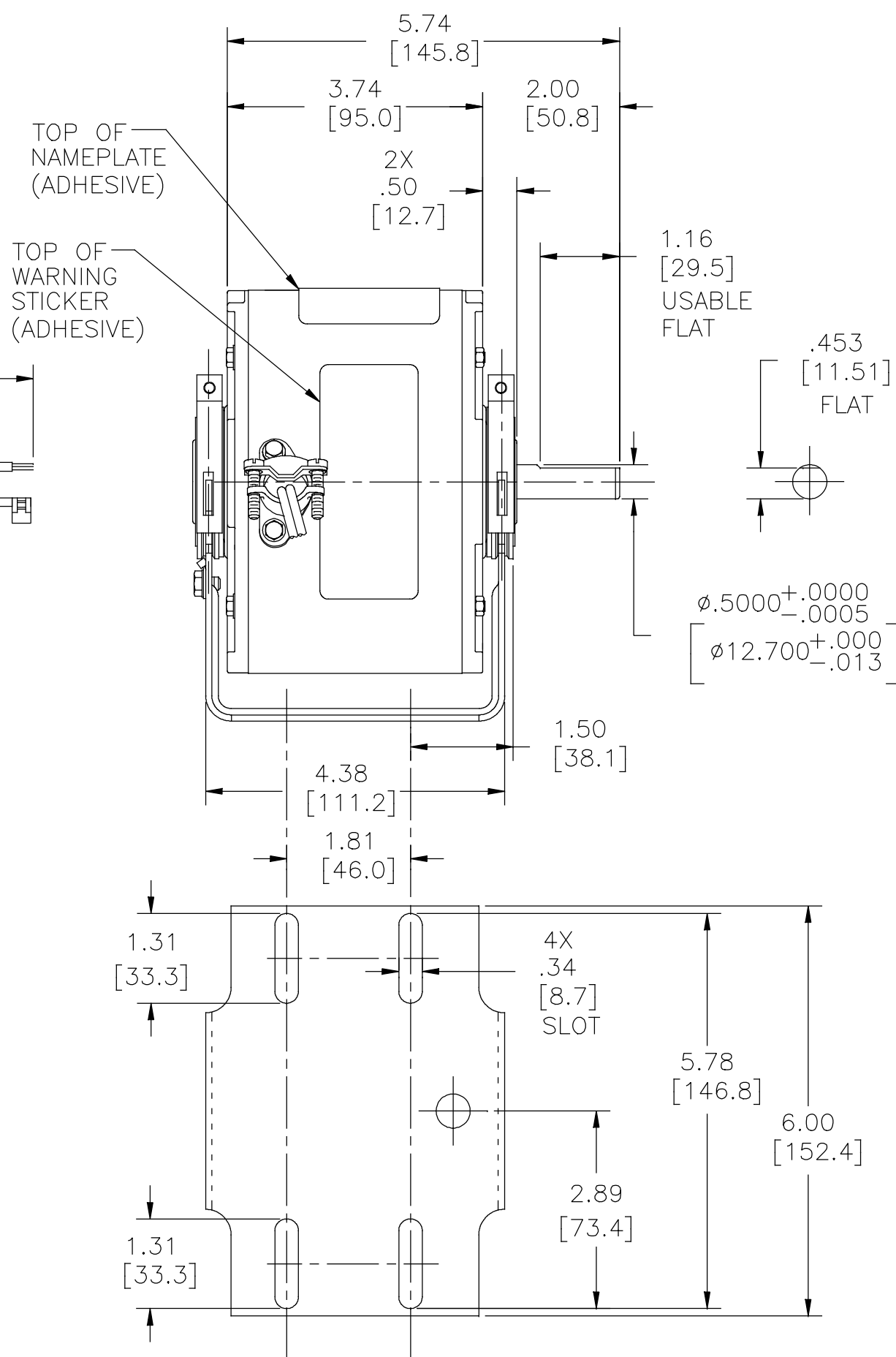
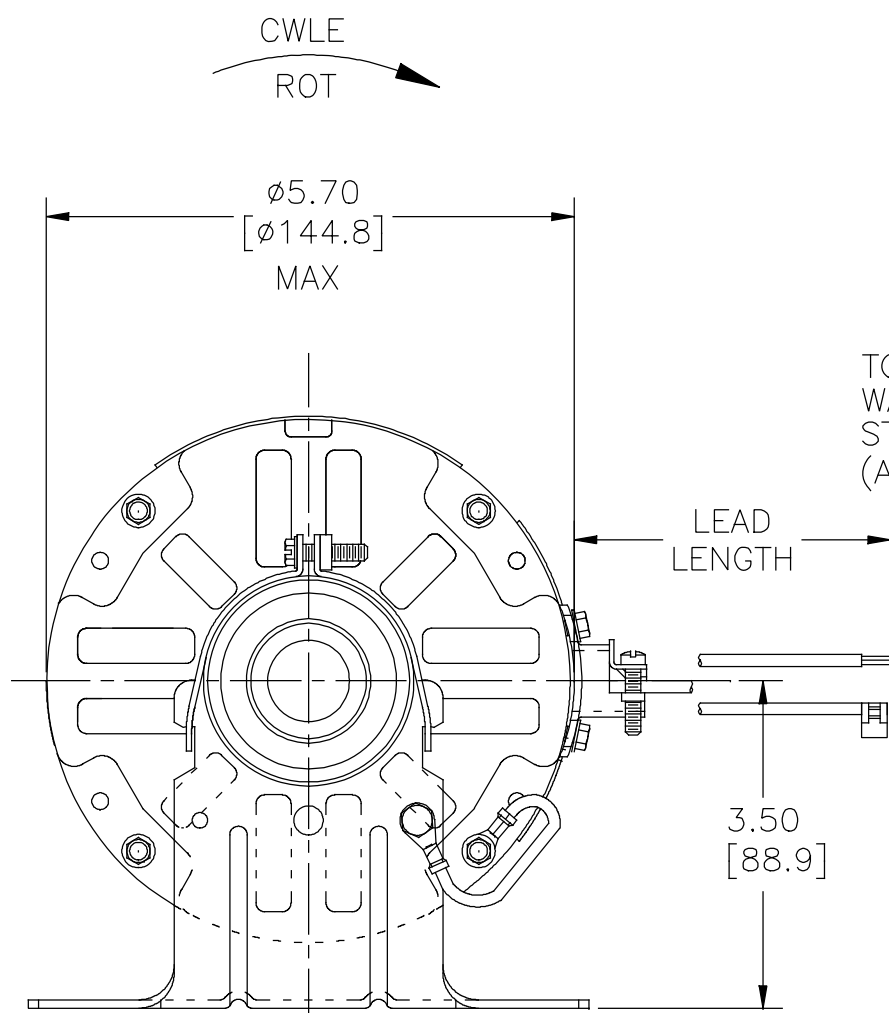
MOUNTING POSITION: RESILIENT BASE

ELECTRICAL DATA:

OVERLOAD PROTECTOR: AUTOMATIC RESET (T.I. 7AM 032)

LEADS: NO. 18 GA., .03[.8] THK. 125°C INSUL.

GROUND LEAD: NO. 18 GA., .03[.8] THK., (GREEN) INSUL.



REGAL-BELOIT CORPORATION (RBC) PROVIDES TECHNICAL ASSISTANCE TO OUR CUSTOMERS IN SEVERAL AREAS. SINCE RBC DOES NOT RECEIVE ALL DATA CONCERNING THE USE AND APPLICATION OF THE MOTOR, THE SUITABILITY OF THE MOTOR FOR THE APPLICATION MUST BE DETERMINED BY THE CUSTOMER.

DIMENSIONS WITHOUT TOLERANCES ARE FOR REFERENCE ONLY.

COLOR	LENGTH	TERMINAL OR STRIP LENGTH
GREEN (GND)	3.5/4.5 [89/114]	CONNECTED TO BASE
BROWN	35.0/37.0 [889/940]	.25[6.4] FLAG
BROWN/WHITE	35.0/37.0 [889/940]	.25[6.4] FLAG
BLACK	35.0/37.0 [889/940]	.75[19.1] SKIN
BLACK	35.0/37.0 [889/940]	.75[19.1] SKIN

MAIN FRAME - OLE	ENCLOSED
END FRAME - OLE	OPEN
MAIN FRAME - LE	ENCLOSED
END FRAME - LE	OPEN

CUSTOMER DIST. SERVICES

NAMEPLATE DATA:	EXTERNAL CONNECTION DIAGRAM
MODEL NO.: F48V31A01 CUST. P/N: OHS1004 HP: 1/8 ROT.: CWLE RPM: 1550 TYPE: UF FRAME: 48Y VOLTS: 230 PH: 1 AMPS: 1.0 HZ: 60 INS.: B AMB.: 40° C DUTY: AIR OVER CAP.: 5 MFD/370 V ENCL: SEMI-ENCL . UL LOGO CSA LOGO THERMALLY PROTECTED	

614131-230

PERFORMANCE CURVE NO.	TORQUE @ 1550 RPM (25°C)	APPROVED SAMPLE	UL COMPONENT		CSA	
			FILE #	CCN #	FILE #	CLASS #
C32348	9.9 OZ. FT.	0442678B	E46412	PRGY2	LR43341	4211-01

DRAWING REVISION	REVISION BY	DATE
C	GELINE.ZHAO	12-24-2018
ECO	APPROVED BY TRICIA	DATE 12-24-2018
ECO-0159013		
SEE ECO		

COPYRIGHT REGAL-BELOIT AMERICA, INC. ALL RIGHTS RESERVED. PROPRIETARY AND CONFIDENTIAL INFORMATION - THIS DOCUMENT IS THE PROPERTY OF REGAL-BELOIT AMERICA, INC. (OWNER) AND CONTAINS OWNER'S PROPRIETARY INFORMATION. ANY PERSON, CORPORATION OR OTHER FIRM RECEIVING IT IS DEEMED, BY RECEIVING IT, TO AGREE THAT IT, AND/OR ANY PART OF IT, SHALL NOT BE DISCLOSED TO ANY PERSON, CORPORATION OR OTHER ENTITY, DUPLICATED, AND/OR USED, EXCEPT AS EXPRESSLY APPROVED IN WRITING IN ADVANCE BY OWNER. THIS DOCUMENT SHALL BE RETURNED TO OWNER UPON REQUEST. IT MAY BE SUBJECT TO CERTAIN RESTRICTIONS UNDER APPLICABLE EXPORT CONTROL LAWS AND REGULATIONS.

DRAWN BY: J.ZHU
 DATE: 03-08-2012
 APPROVED BY: B.SHEN
 DATE: 03-08-2012
 REFERENCE: -

Regal Beloit America, Inc.	
DESCRIPTION	MODEL-RFHP-48FR OUTLINE
MATERIAL	-
PROCESS/FINISH	-
SIZE DWG NO	C OHS1004
SHEET	1