

GENERAL INFORMATION:

SHAFT RUNOUT: .001 [.03] T.I.R. PER INCH LENGTH OF EXTENSION

BEARINGS: 203 BALL

MOUNTING POSITION: HORIZONTAL

ELECTRICAL DATA:

OVERLOAD PROTECTOR: AUTOMATIC RESET (SENSATA 7AM 036)

LEADS: NO. 18 GA., .03 [.8] THK. 125°C INSUL.

GROUND LEAD: NO. 18 GA., .03 [.8] THK. GREEN INSUL.

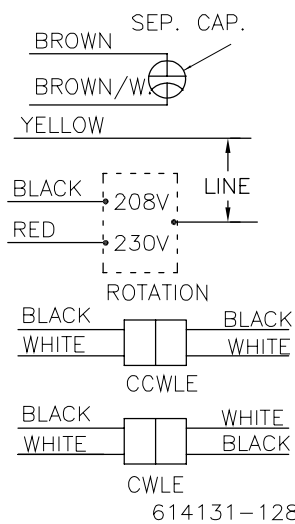
NOTES:
1. DISTRIBUTION: CUST. P/N: OHR1106
GRAINGER: CUST. P/N: 4UY64

SEE NOTE 1

NAMEPLATE DATA:

MODEL NO.: F48SQ6V71X2
CUST. P/N: []
HP: 1
ROT.: REVERSIBLE
RPM: 1075
TYPE: UF
FRAME: 48Y
VOLTS: 208-230
PH: 1
AMPS: 7.1/6.4
HZ: 60
INS.: B
AMB.: 50°C
DUTY: AIR OVER
CAP.: 15 MFD/370 V
ENCL: SEMI-ENCL
CSA LOGO
UL LOGO
THERMALLY PROTECTED

EXTERNAL CONNECTION DIAGRAM

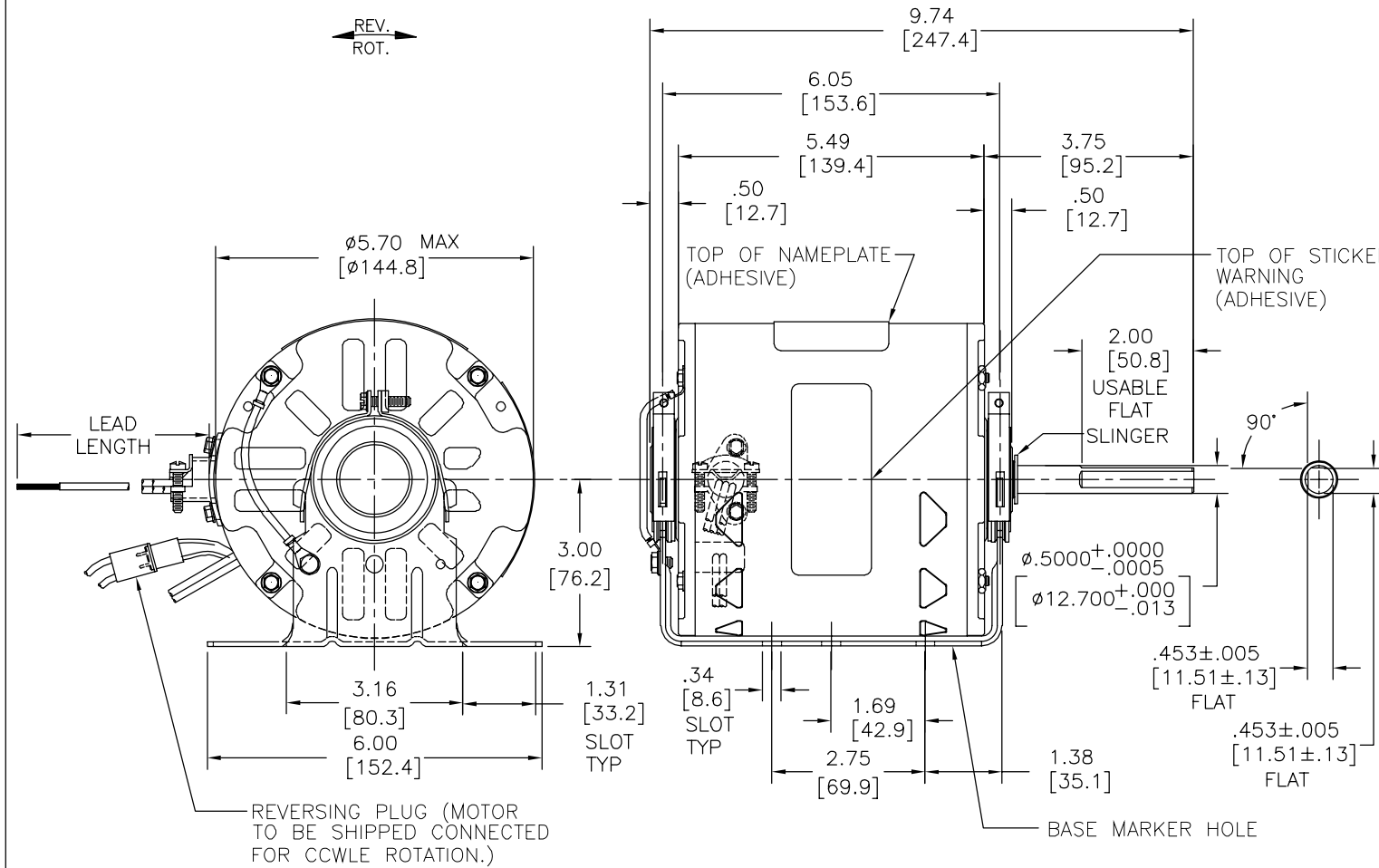


PERFORMANCE CURVE NO.	TORQUE @ 1075 RPM (25°C)	APPROVED SAMPLE	UL COMPONENT		CSA	
			FILE #	CCN#	FILE #	CLASS#
C24081	88 OZ. FT.	EX12129	E46412	PRGY2	LR43341	4211-01

COLOR	CONNECTED BASE	LEAD DATA
GREEN(GRD)	3.0/5.0	#10 EYELET
BLACK/WHITE	[76/127]	REVERSING PLUG
BROWN/WHITE	47.0/51.0 [1194/1295]	.50 [12.7] SKIN
BROWN	47.0/51.0 [1194/1295]	.50 [12.7] SKIN
YELLOW	47.0/51.0 [1194/1295]	.50 [12.7] SKIN
BLACK	47.0/51.0 [1194/1295]	.50 [12.7] SKIN
RED	47.0/51.0 [1194/1295]	.50 [12.7] SKIN
COLOR	LENGTH	TERMINAL OR STRIP LENGTH

ENCLOSURE	
MAIN FRAME - OLE	SEMI-ENCL
END FRAME - OLE	OPEN
MAIN FRAME - LE	SEMI-ENCL
END FRAME - LE	OPEN

CUSTOMER	DISTRIBUTION SERVICE



DRAWING REVISION	REVISION BY	DATE
A	D.DUARTE	10-21-2014
ECO	APPROVED BY	DATE
0061571	D.VALENCIANO	10-21-2014
ECO DESCRIPTION		
SEE ECO		

COPYRIGHT REGAL BELOIT AMERICA, INC. ALL RIGHTS RESERVED. PROPRIETARY AND CONFIDENTIAL INFORMATION - THIS DOCUMENT IS THE PROPERTY OF REGAL BELOIT AMERICA, INC. (OWNER) AND CONTAINS OWNER'S PROPRIETARY INFORMATION. ANY PERSON, CORPORATION OR OTHER FIRM RECEIVING IT IS DEEMED, BY RECEIVING IT, TO AGREE THAT IT, AND/OR ANY PART OF IT, SHALL NOT BE DISCLOSED TO ANY PERSON, CORPORATION OR OTHER ENTITY, DUPLICATED, AND/OR USED, EXCEPT AS EXPRESSLY APPROVED IN WRITING IN ADVANCE BY OWNER. THIS DOCUMENT SHALL BE RETURNED TO OWNER UPON REQUEST. IT MAY BE SUBJECT TO CERTAIN RESTRICTIONS UNDER APPLICABLE EXPORT CONTROL LAWS AND REGULATIONS.

DRAWN BY:	DATE:
D.DUARTE	10-23-2014
APPROVED BY:	DATE:
D.VALENCIANO	10-23-2014
PROCESS/FINISH	

REGAL™ Regal Beloit America, Inc.	
DESCRIPTION	MODEL-RFHP-48FR OUTLINE
MATERIAL	
SIZE DWG NO	OHR1106
SHEET	1