

4

3

2

1

GENERAL INFORMATION:

SHAFT RUNOUT: .001[.03] T.I.R. PER INCH LENGTH OF EXTENSION.

END PLAY: .010[.25] TO .063[1.60]

BEARINGS: SLEEVE

MOUNTING POSITION: ALL ANGLE

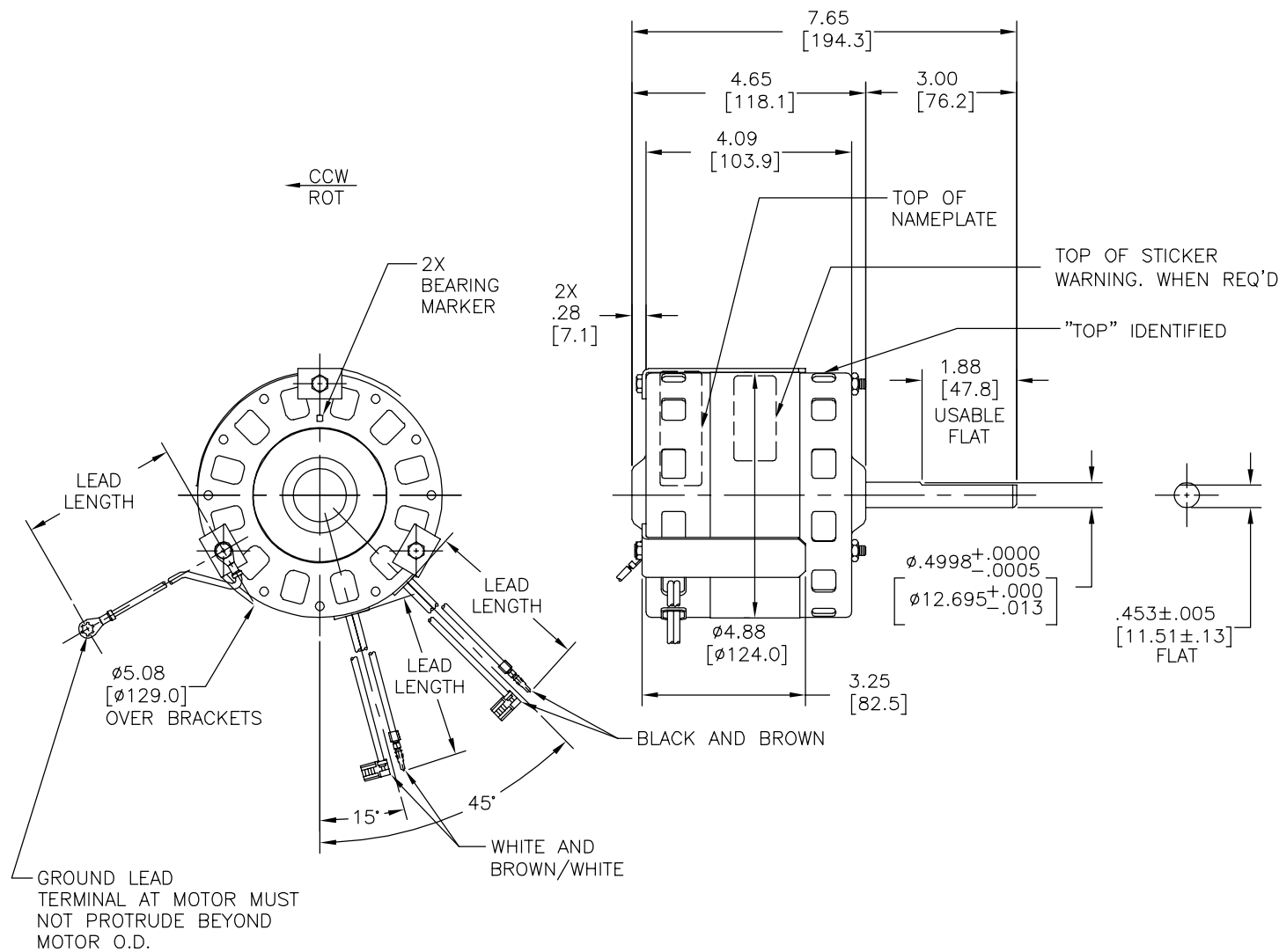
ELECTRICAL DATA:

OVERLOAD PROTECTOR: AUTOMATIC RESET (T.I. 7AM 034)

LEADS: NO.16 GA. .06[1.5] THICK, EPDM 125°C INSUL.

GROUND LEAD: NO.18 GA. .03[.8] THICK, GREEN INSUL.

REV	ECO	REV BY	DATE	APPD	DATE
D	0026373	J.AGUILERA	05-28-2012	R.RASCON	05-28-2012



NAMEPLATE DATA:	EXTERNAL CONNECTION DIAGRAM
MODEL NO.: 322P890 CUST. P/N: OEV1026 HP: 1/4 ROT.: CCWLE RPM: 1050 TYPE: FLL FRAME: 42Y VOLTS: 115 PH: 1 AMPS: 6.0 HZ: 60 INS.: B* AMB.: 40° C DUTY: AIR COVER CAP.: 7.5 MFD/370V ENCL: - UL LOGO CSA LOGO THERMALLY PROTECTED TYPE C	

GREEN (GRD)	6.0/7.0 [152/178]	#10 EYELET
BROWN	13.0/15.0 [330/381]	.25[6.4] FLAG
BROWN/WHITE	13.0/15.0 [330/381]	.25[6.4] FLAG
BLACK	26.0/28.0 [660/711]	PIN AMP 350538-1
WHITE	26.0/28.0 [660/711]	PIN AMP 350538-1
COLOR	LENGTH	TERMINAL OR STRIP LENGTH

- NOTES:
1. MOTOR SHIPPED WITH LEADS AND PIN TERMINALS INSIDE PROTECTIVE TUBE.
 2. MAX. DIA. OVER INSUL. GRIP OF PIN TERMINAL IS 0.217[05.51]

MAIN FRAME - OLE	OPEN
END FRAME - OLE	OPEN
MAIN FRAME - LE	OPEN
END FRAME - LE	OPEN

CUSTOMER	DISTRIBUTION SERVICE
----------	----------------------

PERFORMANCE CURVE NO.	TORQUE @1050 RPM (25°C)	APPROVED SAMPLE	UL COMPONENT		CSA	
C31402	32.7 OZ. FT.	96AC342A	FILE #	CCN #	FILE #	CLASS #
			E46412	PRGY2	LR43341	4211-01

GEOMETRIC CHARACTERISTICS & SYMBOLS

- ▭ FLATNESS
- STRAIGHTNESS
- ∠ ANGULARITY
- ⊥ PERPENDICULARITY (SQUARENESS)
- // PARALLELISM
- ROUNDNESS (CIRCULARITY)
- ⊘ CYLINDRICITY
- △ PROFILE OF ANY SURFACE
- ⌒ PROFILE OF ANY LINE
- ↑ RUNOUT
- ⊕ TRUE POSITION
- ⊙ CONCENTRICITY
- = SYMMETRY

ASME Y14.5M 1994

REGAL-BELOIT CORPORATION (RBC) PROVIDES TECHNICAL ASSISTANCE TO OUR CUSTOMERS IN SEVERAL AREAS. SINCE RBC DOES NOT RECEIVE ALL DATA CONCERNING THE USE AND APPLICATION OF THE MOTOR, THE SUITABILITY OF THE MOTOR FOR THE APPLICATION MUST BE DETERMINED BY THE CUSTOMER.

DIMENSIONS WITHOUT TOLERANCES ARE FOR REFERENCE ONLY.

DR BY: W. HEATH 04-11-1995

APPD:

THIRD ANGLE PROJECTION

EDS DATE 11-11-2011
FORMAT REV H

CONFIDENTIAL: THIS DRAWING AND ITS INFORMATION ARE THE EXCLUSIVE AND CONFIDENTIAL PROPERTY OF REGAL-BELOIT CORPORATION AND ARE NOT TO BE DISCLOSED, DUPLICATED, DISTRIBUTED OR OTHERWISE USED WITHOUT THE WRITTEN CONSENT OF REGAL-BELOIT CORPORATION. -ALL RIGHTS RESERVED.

REGAL REGAL-BELOIT CORPORATION

DESCRIPTION: MODEL-RFHP-42FR

SIZE C DWG NO 12131-001

SCALE NONE SHEET 1

4

3

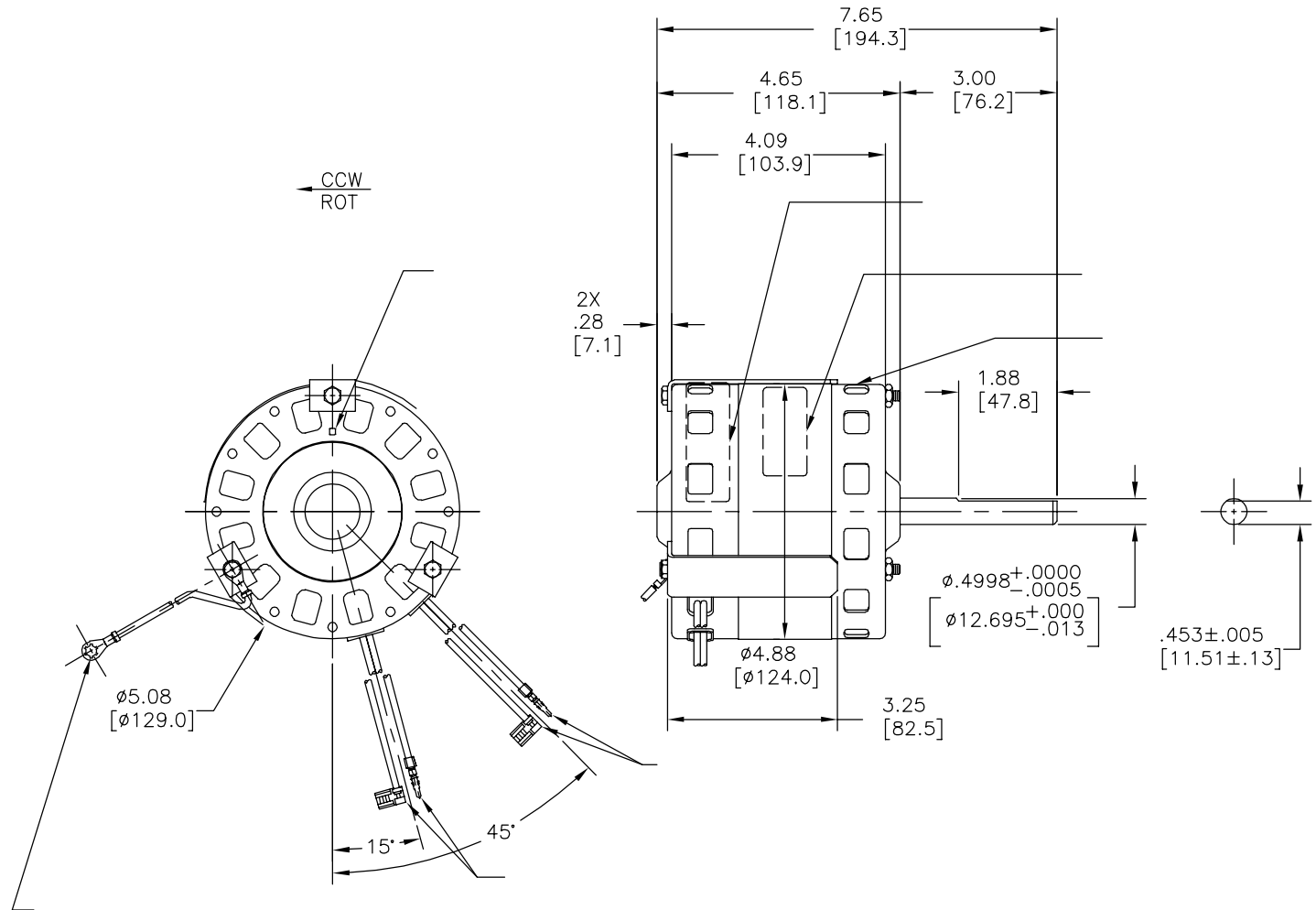
2

1

4 3 2 1

版本	ECO	编制	日期	批准	日期
D	0026373	J.AGUILERA	05-28-2012	R.RASCON	05-28-2012

总技术要求:
轴跳动:
端部窜动量
轴承:
安装位置:
电气数据:
过载保护:
引线:
接地线:



铭牌数据	外部数据线
MODEL NO.: 322P890 CUST. P/N: OEV1026 HP: 1/4 ROT.: CCWLE RPM: 1050 TYPE: FLL FRAME: 42Y VOLTS: 115 PH: 1 AMPS: 6.0 HZ: 60 INS.: B* AMB.: 40° C DUTY: AIR COVER CAP.: 7.5 MFD/370V ENCL: - UL LOGO CSA LOGO THERMALLY PROTECTED TYPE C	

	6.0/7.0 [152/178]	
	13.0/15.0 [330/381]	
	13.0/15.0 [330/381]	
	26.0/28.0 [660/711]	
	26.0/28.0 [660/711]	

无引线端机壳	
无引线端端盖	
有引线端机壳	
有引线端端盖	

用户	DISTRIBUTION SERVICE
----	----------------------

性能曲线编号	转矩在 @ --- RPM (25° C)	批准样品	UL部件		CSA	
C31402	32.7 OZ. FT.	96AC342A	文件号	指南	文件号	指南
			E46412	PRGY2	LR43341	4211-01

颜色	长度	端子或剥线长度

形位公差 平面度 直线度 倾斜度 垂直度 平行度 圆度 圆柱度 面轮廓度 线轮廓度 圆跳动 位置度 同轴度 对称度	REGAL-BELOIT CORPORATION (RBC) 在个别领域为客户 提供技术支持。鉴于 RBC 未收到任何涉及电机使用和 应用环境的数据，电机的适用性 由客户自己决定。 未注公差尺寸仅供参考。
--	--

绘图:	W. HEATH	04-11-1995
批准:		
第三角投影		图纸格式发布日期 11-11-2011 图纸格式版本 H
机密: 本图纸及相关信息所有权归REGAL-BELOIT CORPORATION。未经REGAL-BELOIT CORPORATION书面授权，不得泄露、复制、传播或作其他用途。--版权所有		

REGAL-BELOIT CORPORATION	
名称	MODEL-RFHP-42FR
图幅	C
图号	12131-001
比例	NONE
页号	1

4 3 2 1