

4 3 2 1

REV	ECO	REV BY	DATE	APPD	DATE
D	0026397	G. ALVIDREZ	05-28-2012	G. ALVIDREZ	05-28-2012

GENERAL INFORMATION:

SHAFT RUNOUT: .001[.03] T.I.R. PER INCH LENGTH OF EXTENSION.

END PLAY: .010[.25] TO .063[1.60]

BEARINGS: SLEEVE

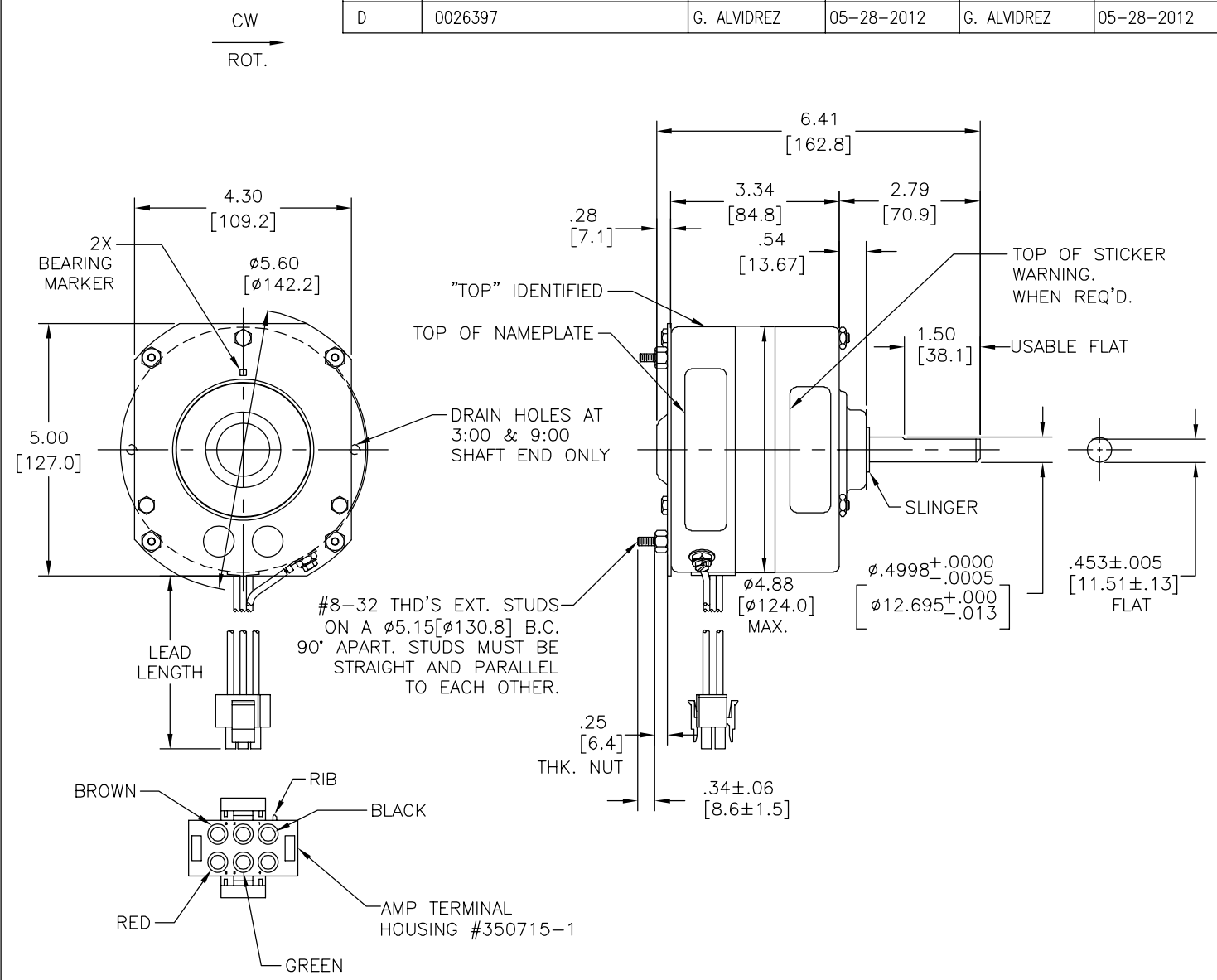
MOUNTING POSITION: VERTICAL-SHAFT DOWN

ELECTRICAL DATA:

OVERLOAD PROTECTOR: AUTOMATIC RESET (T.I. 7AM 034)

LEADS: NO.18 GA. .06[1.5] THK, PVC 105°C INSUL.

GROUND LEAD: NO.18 GA. .03[.8] THK, PVC 80°C GREEN INSUL.



NAMEPLATE DATA:	EXTERNAL CONNECTION DIAGRAM
MODEL NO.: F42C68A01 CUST. P/N: OEV1006 HP: 1/12 ROT.: CWLE RPM: 1050 TYPE: FLL FRAME: 42Y VOLTS: 208-230 PH: 1 AMPS: 0.5 HZ: 60 INS.: B AMB.: 40° C DUTY: AIR COVER CAP.: 5 MFD/370 V ENCL: ENCLOSED UL LOGO CSA LOGO THERMALLY PROTECTED TYPE C	

GREEN (GRD)	32.0/35.0 [813/889]	AMP PIN #350218-1
BROWN	32.0/35.0 [813/889]	AMP PIN #350218-1
RED	32.0/35.0 [813/889]	AMP PIN #350218-1
BLACK	32.0/35.0 [813/889]	AMP PIN #350218-1
COLOR	LENGTH	TERMINAL OR STRIP LENGTH

MAIN FRAME - OLE	ENCLOSED
END FRAME - OLE	ENCLOSED WITH DRAIN HOLES
MAIN FRAME - LE	ENCLOSED
END FRAME - LE	ENCLOSED

CUSTOMER	DISTRIBUTION SERVICE
----------	----------------------

PERFORMANCE CURVE NO.	TORQUE @1050 RPM (25°C)	APPROVED SAMPLE	UL COMPONENT		CSA	
C31372	7.9 OZ. FT.	96AC002A	FILE #	CCN #	FILE #	CLASS #
			E46412	PRGY2	LR43341	4211-01

GEOMETRIC CHARACTERISTICS & SYMBOLS

- ▭ FLATNESS
- STRAIGHTNESS
- ∠ ANGULARITY
- ⊥ PERPENDICULARITY (SQUARENESS)
- ∥ PARALLELISM
- ROUNDNESS (CIRCULARITY)
- ⊘ CYLINDRICITY
- △ PROFILE OF ANY SURFACE
- ⌒ PROFILE OF ANY LINE
- ↑ RUNOUT
- ⊕ TRUE POSITION
- ◎ CONCENTRICITY
- = SYMMETRY

ASME Y14.5M 1994

REGAL-BELOIT CORPORATION (RBC) PROVIDES TECHNICAL ASSISTANCE TO OUR CUSTOMERS IN SEVERAL AREAS. SINCE RBC DOES NOT RECEIVE ALL DATA CONCERNING THE USE AND APPLICATION OF THE MOTOR, THE SUITABILITY OF THE MOTOR FOR THE APPLICATION MUST BE DETERMINED BY THE CUSTOMER.

DIMENSIONS WITHOUT TOLERANCES ARE FOR REFERENCE ONLY.

DR BY:	WBH	01-11-1999
APPD:	J. RUPERT	01-11-1999
THIRD ANGLE PROJECTION	EDS DATE 11-11-2011	FORMAT REV G
CONFIDENTIAL: THIS DRAWING AND ITS INFORMATION ARE THE EXCLUSIVE AND CONFIDENTIAL PROPERTY OF REGAL-BELOIT CORPORATION AND ARE NOT TO BE DISCLOSED, DUPLICATED, DISTRIBUTED OR OTHERWISE USED WITHOUT THE WRITTEN CONSENT OF REGAL-BELOIT CORPORATION. -ALL RIGHTS RESERVED.		

DESCRIPTION	
MODEL-RFHP-42FR OUTLINE	
SIZE C	DWG NO 12067-006
SCALE NONE	SHEET 1

A A

4 3 2 1

4 3 2 1

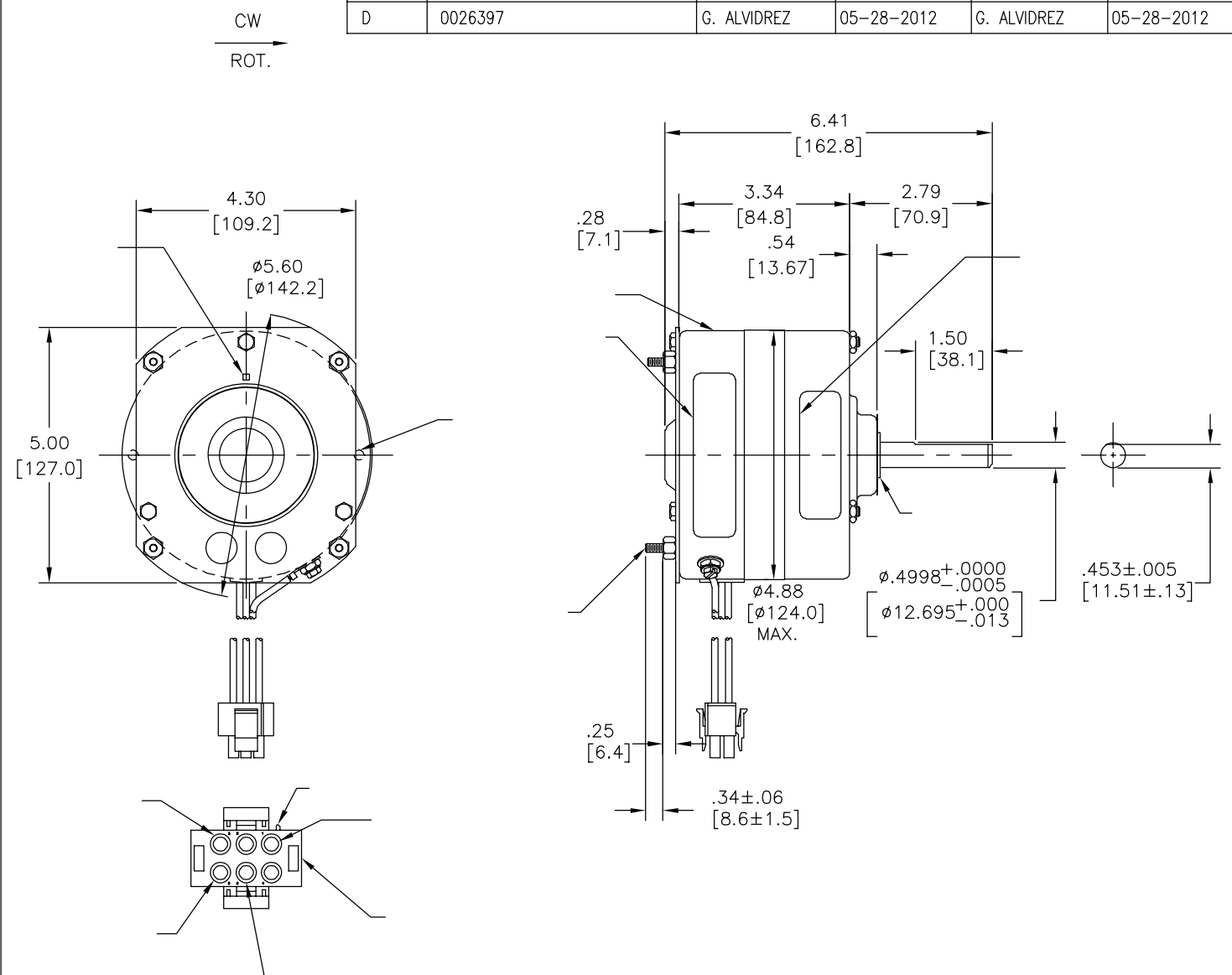
REVISION:	ECO	REVISADO POR:	FECHA:	APROBADO POR:	FECHA:
D	0026397	G. ALVIDREZ	05-28-2012	G. ALVIDREZ	05-28-2012

INFORMACION GENERAL:

OSCILACION DE FLECHA: -
 JUEGO AXIAL: -
 BALEROS: -
 POSICION DEL MONTAJE: -

INFORMACION ELECTRICA:

PROTECTOR DE SOBRECARGA: -
 CABLES: -
 CABLE DE TIERRA: -



-	32.0/35.0	-
-	[813/889]	-
-	32.0/35.0	-
-	[813/889]	-
-	32.0/35.0	-
-	[813/889]	-

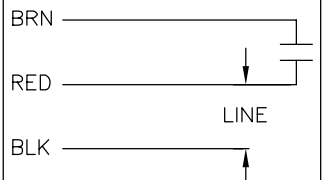
CARCASA - LOC	-
TAPA - LOC	-
CARCASA - LC	-
TAPA - LC	-

CLIENTE	DISTRIBUTION SERVICE
---------	----------------------

INFORMACION DE ETIQUETA:

MODEL NO.: F42C68A01
 CUST. P/N: OEV1006
 HP: 1/12
 ROT.: CWLE
 RPM: 1050
 TYPE: FLL
 FRAME: 42Y
 VOLTS: 208-230
 PH: 1
 AMPS: 0.5
 HZ: 60
 INS.: B
 AMB.: 40° C
 DUTY: AIR COVER
 CAP.: 5 MFD/370 V
 ENCL: ENCLOSED
 UL LOGO
 CSA LOGO
 THERMALLY PROTECTED TYPE C

DIAGRAMA DE CONEXION EXTRNA



CURVAS DE FUNCIONAMIENTO	TORSION @ --- RPM (25°C)	MUESTRA APROBADA	COMPONENTE UL #ARCHIVO	CCN #	CSA #ARCHIVO CLASE #
C31372	7.9 OZ. FT.	96AC002A	E46412	PRGY2	LR43341 4211-01

CARACTERISTICAS DE GEOMETRIA Y SIMBOLOS
 ▽ PLANICIDAD
 - RECTITUD
 < ANGULARIDAD
 ⊥ PERPENDICULARIDAD (A ESCUADRA)
 // PARALELISMO
 ○ REDONDEZ (CIRCULARIDAD)
 ∅ CILINDRICIDAD
 △ PERFIL DE CUALQUIER SUPERFICIE
 ∩ PERFIL DE CUALQUIER LINEA
 / VARIACION
 ⊕ POSICION REAL
 ⊙ CONCENTRICIDAD
 = SIMETRIA ASME Y14.5M 1994

REGAL-BELOIT CORPORATION (RBC) PROVEE ASISTENCIA TECNICA A NUESTROS CLIENTES EN VARIAS AREAS. DESDE QUE RBC NO RECIBE TODOS LOS DATOS EN RELACION AL USO Y A LA APLICACION DEL MOTOR, LA APLICACION ADECUADA DEL MOTOR DEBE SER DETERMINADA POR EL CLIENTE.
 DIMENSIONES SIN TOLERANCIA SON DE REFERENCIA SOLAMENTE

DIBUJADO POR: WBH 01-11-1999
 APROBADO POR: J. RUPERT 01-11-1999
 TERCER ANGULO DE PROYECCION
 CONFIDENCIAL: ESTE DIBUJO Y SU INFORMACION SON PROPIEDAD DE USO EXCLUSIVO Y CONFIDENCIAL DE REGAL-BELOIT CORPORATION. Y NO DEBERAN SER REVELADOS, DUPLICADOS, DISTRIBUIDOS O USARSE DE OTRA MANERA SIN EL CONSENTIMIENTO ESCRITO DE REGAL-BELOIT CORPORATION. -TODOS LOS DERECHOS RESERVADOS.

REGAL-BELOIT CORPORATION
 DESCRIPCION: MODEL-RFHP-42FR OUTLINE
 TAMAÑO: C NUMERO DE DIBUJO: 12067-006
 ESCALA: NONE HOJA: 1

4 3 2 1

4	3	2	1																																				
<table border="1" style="width: 100%; border-collapse: collapse;"> <tr> <td style="width: 25%;">版本</td> <td style="width: 25%;">ECO</td> <td style="width: 25%;">编制</td> <td style="width: 25%;">日期</td> </tr> <tr> <td>D</td> <td>0026397</td> <td>G. ALVIDREZ</td> <td>05-28-2012</td> </tr> <tr> <td>批准</td> <td>G. ALVIDREZ</td> <td>日期</td> <td>05-28-2012</td> </tr> </table>				版本	ECO	编制	日期	D	0026397	G. ALVIDREZ	05-28-2012	批准	G. ALVIDREZ	日期	05-28-2012																								
版本	ECO	编制	日期																																				
D	0026397	G. ALVIDREZ	05-28-2012																																				
批准	G. ALVIDREZ	日期	05-28-2012																																				
<p>总技术要求: _____</p> <p>轴跳动: _____</p> <p>端部窜动量 _____</p> <p>轴承: _____</p> <p>安装位置: _____</p> <p>电气数据: _____</p> <p>过载保护: _____</p> <p>引线: _____</p> <p>接地线: _____</p>																																							
<table border="1" style="width: 100%; border-collapse: collapse;"> <tr> <th style="width: 50%;">铭牌数据</th> <th style="width: 50%;">外部数据线</th> </tr> <tr> <td> MODEL NO.: F42C68A01 CUST. P/N: OEV1006 HP: 1/12 ROT.: CWLE RPM: 1050 TYPE: FLL FRAME: 42Y VOLTS: 208-230 PH: 1 AMPS: 0.5 HZ: 60 INS.: B AMB.: 40° C DUTY: AIR COVER CAP.: 5 MFD/370 V ENCL: ENCLOSED UL LOGO CSA LOGO THERMALLY PROTECTED TYPE C </td> <td> </td> </tr> </table>		铭牌数据	外部数据线	MODEL NO.: F42C68A01 CUST. P/N: OEV1006 HP: 1/12 ROT.: CWLE RPM: 1050 TYPE: FLL FRAME: 42Y VOLTS: 208-230 PH: 1 AMPS: 0.5 HZ: 60 INS.: B AMB.: 40° C DUTY: AIR COVER CAP.: 5 MFD/370 V ENCL: ENCLOSED UL LOGO CSA LOGO THERMALLY PROTECTED TYPE C																																			
铭牌数据	外部数据线																																						
MODEL NO.: F42C68A01 CUST. P/N: OEV1006 HP: 1/12 ROT.: CWLE RPM: 1050 TYPE: FLL FRAME: 42Y VOLTS: 208-230 PH: 1 AMPS: 0.5 HZ: 60 INS.: B AMB.: 40° C DUTY: AIR COVER CAP.: 5 MFD/370 V ENCL: ENCLOSED UL LOGO CSA LOGO THERMALLY PROTECTED TYPE C																																							
<table border="1" style="width: 100%; border-collapse: collapse;"> <tr> <th style="width: 25%;">性能曲线编号</th> <th style="width: 25%;">转矩在 @ --- RPM (25° C)</th> <th style="width: 25%;">批准样品</th> <th colspan="2" style="width: 25%;">UL部件</th> <th colspan="2" style="width: 25%;">CSA</th> </tr> <tr> <td>C31372</td> <td>7.9 OZ. FT.</td> <td>96AC002A</td> <td>文件号</td> <td>指南</td> <td>文件号</td> <td>指南</td> </tr> <tr> <td></td> <td></td> <td></td> <td>E46412</td> <td>PRGY2</td> <td>LR43341</td> <td>4211-01</td> </tr> </table>		性能曲线编号	转矩在 @ --- RPM (25° C)	批准样品	UL部件		CSA		C31372	7.9 OZ. FT.	96AC002A	文件号	指南	文件号	指南				E46412	PRGY2	LR43341	4211-01	<table border="1" style="width: 100%; border-collapse: collapse;"> <tr> <th style="width: 25%;">颜色</th> <th style="width: 25%;">长度</th> <th style="width: 50%;">端子或剥线长度</th> </tr> <tr> <td></td> <td>32.0/35.0 [813/889]</td> <td></td> </tr> <tr> <td></td> <td>32.0/35.0 [813/889]</td> <td></td> </tr> <tr> <td></td> <td>32.0/35.0 [813/889]</td> <td></td> </tr> <tr> <td></td> <td>32.0/35.0 [813/889]</td> <td></td> </tr> </table>		颜色	长度	端子或剥线长度		32.0/35.0 [813/889]			32.0/35.0 [813/889]			32.0/35.0 [813/889]			32.0/35.0 [813/889]	
性能曲线编号	转矩在 @ --- RPM (25° C)	批准样品	UL部件		CSA																																		
C31372	7.9 OZ. FT.	96AC002A	文件号	指南	文件号	指南																																	
			E46412	PRGY2	LR43341	4211-01																																	
颜色	长度	端子或剥线长度																																					
	32.0/35.0 [813/889]																																						
	32.0/35.0 [813/889]																																						
	32.0/35.0 [813/889]																																						
	32.0/35.0 [813/889]																																						
<p>形位公差</p> <ul style="list-style-type: none"> □ 平面度 — 直线度 ∠ 倾斜度 ⊥ 垂直度 ∥ 平行度 ○ 圆度 ⊘ 圆柱度 ⌒ 面轮廓度 — 线轮廓度 ⊖ 圆跳动 ⊕ 位置度 ⊙ 同轴度 ≡ 对称度 <p style="text-align: right;">ASME Y14.5M 1994</p>		<p>REGAL-BELOIT CORPORATION (RBC) 在个别领域为客户提供技术支持。鉴于 RBC 未收到任何涉及电机使用和应用环境的数据，电机的适用性由客户自己决定。</p> <p style="text-align: center;">未注公差尺寸仅供参考。</p>																																					
<p>引线数据</p> <table border="1" style="width: 100%; border-collapse: collapse;"> <tr> <td>无引线端机壳</td> <td></td> </tr> <tr> <td>无引线端端盖</td> <td></td> </tr> <tr> <td>有引线端机壳</td> <td></td> </tr> <tr> <td>有引线端端盖</td> <td></td> </tr> </table>		无引线端机壳		无引线端端盖		有引线端机壳		有引线端端盖		<p>密封性</p> <table border="1" style="width: 100%; border-collapse: collapse;"> <tr> <td>用户</td> <td>DISTRIBUTION SERVICE</td> </tr> </table>		用户	DISTRIBUTION SERVICE																										
无引线端机壳																																							
无引线端端盖																																							
有引线端机壳																																							
有引线端端盖																																							
用户	DISTRIBUTION SERVICE																																						
<p>ASME Y14.5M 1994</p>		<table border="1" style="width: 100%; border-collapse: collapse;"> <tr> <td>绘图: WBH</td> <td>01-11-1999</td> <td rowspan="2" style="text-align: center;"> </td> </tr> <tr> <td>批准: J. RUPERT</td> <td>01-11-1999</td> </tr> <tr> <td>第三角投影</td> <td> </td> <td> 名称 MODEL-RFHP-42FR OUTLINE </td> </tr> <tr> <td>机密: 本图纸及相关信息所有权归REGAL-BELOIT CORPORATION。未经REGAL-BELOIT CORPORATION书面授权，不得泄露、复制、传播或作其他用途。--版权所有</td> <td> 图纸格式发布日期 11-11-2011 图纸格式版本 G </td> <td> 图幅 C 图号 12067-006 </td> </tr> <tr> <td></td> <td>比例 NONE</td> <td>页号 1</td> </tr> </table>		绘图: WBH	01-11-1999		批准: J. RUPERT	01-11-1999	第三角投影		名称 MODEL-RFHP-42FR OUTLINE	机密: 本图纸及相关信息所有权归REGAL-BELOIT CORPORATION。未经REGAL-BELOIT CORPORATION书面授权，不得泄露、复制、传播或作其他用途。--版权所有	图纸格式发布日期 11-11-2011 图纸格式版本 G	图幅 C 图号 12067-006		比例 NONE	页号 1																						
绘图: WBH	01-11-1999																																						
批准: J. RUPERT	01-11-1999																																						
第三角投影		名称 MODEL-RFHP-42FR OUTLINE																																					
机密: 本图纸及相关信息所有权归REGAL-BELOIT CORPORATION。未经REGAL-BELOIT CORPORATION书面授权，不得泄露、复制、传播或作其他用途。--版权所有	图纸格式发布日期 11-11-2011 图纸格式版本 G	图幅 C 图号 12067-006																																					
	比例 NONE	页号 1																																					