

**GENERAL INFORMATION:**

SHAFT RUNOUT: .001 [.03] T.I.R. PER INCH [25.4] LENGTH OF EXTENSION

END PLAY: .010 [.25] TO .063 [1.60]

BEARINGS: SLEEVE

MOUNTING POSITION: HORIZONTAL

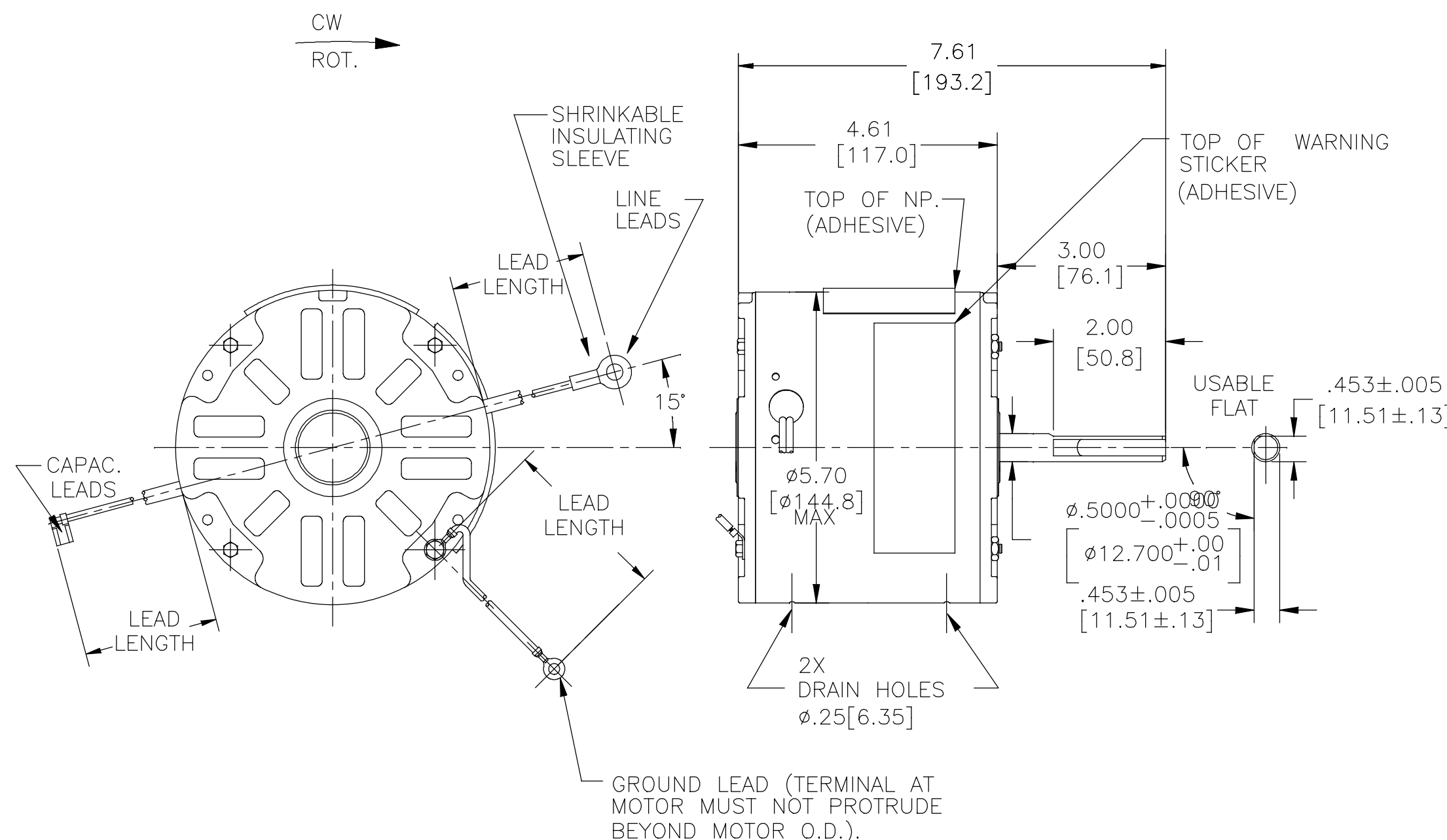
**ELECTRICAL DATA:**

OVERLOAD PROTECTOR: AUTOMATIC RESET (SENSATA 7AM 036)

LEADS: NO. 16 GA., .03 [.8] XLP., 125°C INSUL.

CAPACITOR LEADS: NO. 16 GA., .06 [1.5] EPDM., 125°C INSUL.

GROUND LEAD: NO. 16 GA., .03 [.8] THK., GREEN INSUL.



NOTE:  
1. DISTRIBUTION CUST P/N: OCP1024  
GRAINGER CUST P/N: 4UY62

REGAL-BELOIT CORPORATION (RBC) PROVIDES TECHNICAL ASSISTANCE TO OUR CUSTOMERS IN SEVERAL AREAS. SINCE RBC DOES NOT RECEIVE ALL DATA CONCERNING THE USE AND APPLICATION OF THE MOTOR, THE SUITABILITY OF THE MOTOR FOR THE APPLICATION MUST BE DETERMINED BY THE CUSTOMER.

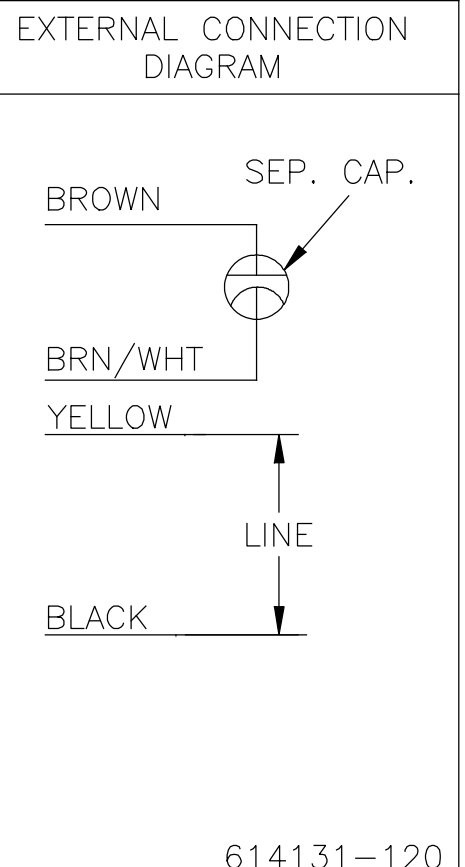
DIMENSIONS WITHOUT TOLERANCES ARE FOR REFERENCE ONLY.

MAIN FRAME - OLE	ENCLOSED
END FRAME - OLE	OPEN
MAIN FRAME - LE	ENCLOSED
END FRAME - LE	OPEN

CUSTOMER DISTRIBUTION SERVICES

**NAMEPLATE DATA:**

MODEL NO.: F48SJ4L7  
CUST. P/N: [ ]  
HP: 1/4  
ROT.: CWLE  
RPM: 1625  
TYPE: UF  
FRAME: 48Y  
VOLTS: 208-230  
PH: 1  
AMPS: 1.5 (2.4 MAX.)  
HZ: 60  
INS.: B  
AMB.: 60°C  
DUTY: AIR OVER  
CAP: 5 MFD/370V  
ENCL: SEMI-ENCL.  
CSA LOGO  
UL LOGO  
THERMALLY PROTECTED



GREEN (GND)	12.0/13.0 [305/330]	#10 SERRATED
BROWN/WHITE	5.0/7.0 [127/178]	.25 [6.4] FLAG
BROWN	5.0/7.0 [127/178]	.25 [6.4] FLAG
BLACK	35.5/38.5 [902/978]	#10 RING
YELLOW	35.5/38.5 [902/978]	#10 RING
COLOR	LENGTH	TERMINAL OR STRIP LENGTH

PERFORMANCE CURVE NO.	TORQUE @ 1625 RPM (25°C)	APPROVED SAMPLE	UL COMPONENT FILE #	CCN #	CSA FILE #	CLASS #
C23881	16.0 OZ. FT.	EX11915-1	E46412	PRGY2	LR43341	4211-01

DRAWING REVISION D	REVISION BY J. RUPERT	DATE 02-12-2019
ECO-0161700	APPROVED BY J. RUPERT	DATE 02-12-2019
ECO DESCRIPTION NEW CATALOG NUMBER		

DRAWN BY: AS	DATE: 02-14-2011
APPROVED BY: BS	DATE: 02-14-2011
REFERENCE:	
THIRD ANGLE PROJECTION	

**REGAL™** Regal Beloit America, Inc.

DESCRIPTION: MODEL-RFHP-48FR OUTLINE

MATERIAL: - PROCESS/FINISH: -

SIZE DWG NO: C OCP1024 SHEET 1

COPYRIGHT REGAL-BELOIT CORPORATION, INC. ALL RIGHTS RESERVED. PROPRIETARY AND CONFIDENTIAL INFORMATION - THIS DOCUMENT IS THE PROPERTY OF REGAL-BELOIT CORPORATION, INC. (OWNER) AND CONTAINS OWNER'S PROPRIETARY INFORMATION. ANY PERSON, CORPORATION OR OTHER FIRM RECEIVING IT IS DEEMED, BY RECEIVING IT, TO AGREE THAT IT, AND/OR ANY PART OF IT, SHALL NOT BE DISCLOSED TO ANY PERSON, CORPORATION OR OTHER ENTITY, DUPLICATED, AND/OR USED, EXCEPT AS EXPRESSLY APPROVED IN WRITING IN ADVANCE BY OWNER. THIS DOCUMENT SHALL BE RETURNED TO OWNER UPON REQUEST. IT MAY BE SUBJECT TO CERTAIN RESTRICTIONS UNDER APPLICABLE EXPORT CONTROL LAWS AND REGULATIONS.