

4

3

2

1

REV	ECO	REV BY	DATE	APPD	DATE
B	0025554	O. CARVAJAL	05-01-2012	M. AVILA	05-01-2012

GENERAL INFORMATION:

SHAFT RUNOUT: .001 [.03] T.I.R. PER INCH LENGTH OF EXTENSION

BEARINGS: 203 BALL-DOUBLE SEALED

MOUNTING POSITION: VERTICAL-SHAFT UP

ELECTRICAL DATA:

OVERLOAD PROTECTOR: AUTOMATIC RESET (T.I. 7AM 036)

LEADS: NO. 18 GA., .03 [.8] XLP. 125°C INSUL.

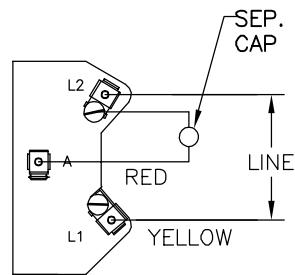
NOTES:
1. DISTRIBUTION CUST. P/N: OCD1056
GRAINGER CUST. P/N: 4UY53

SEE NOTE 1

NAMEPLATE DATA:

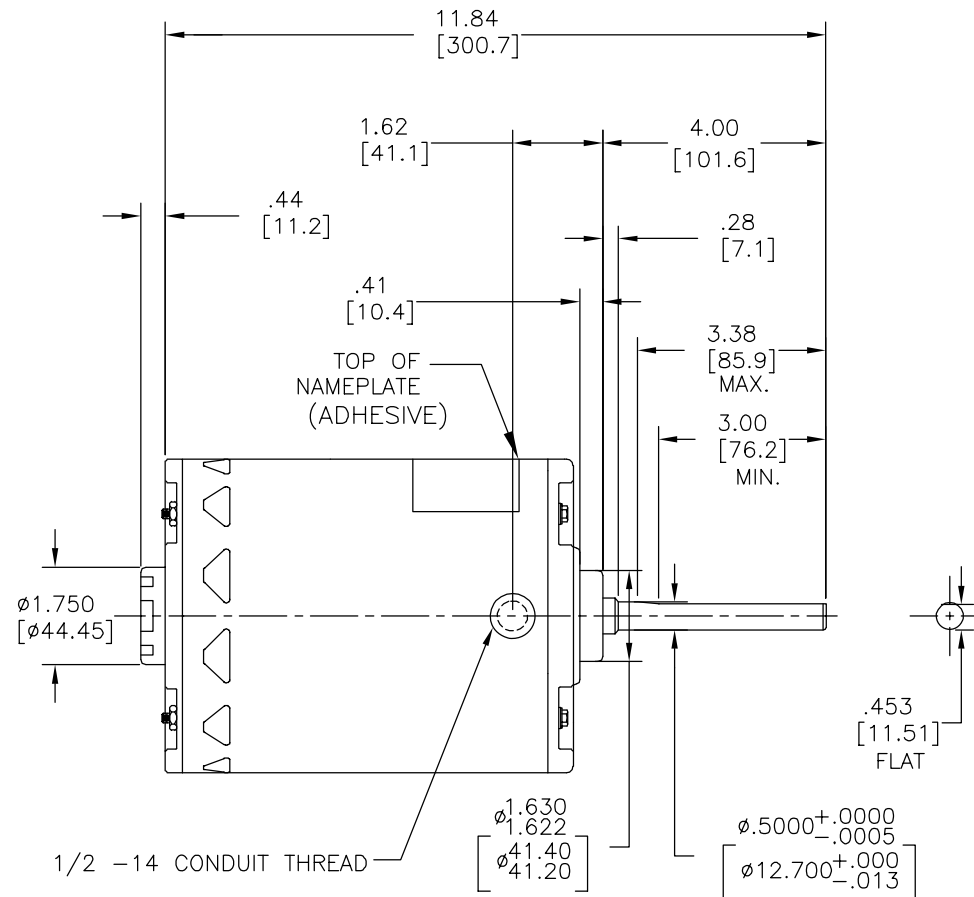
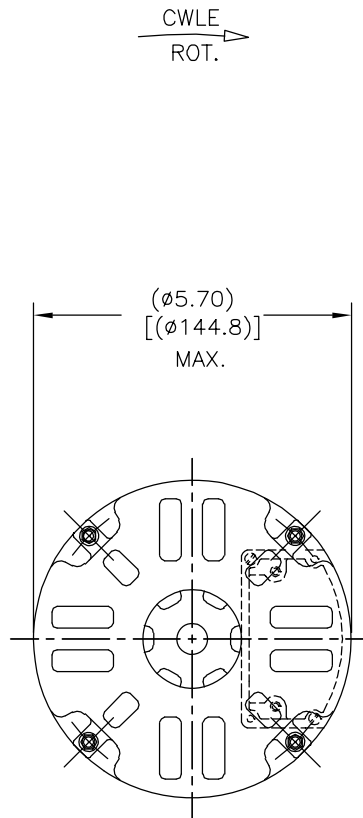
MODEL NO.: F48SQ6V28
CUST. P/N: []
HP: 1/2
ROT.: CWLE
RPM: 1075
TYPE: UF
FRAME: 48
VOLTS: 208-230
PH: 1
AMPS: 4
HZ: 60
INS.: B
AMB.: 60°C
DUTY: AIR OVER
CAP.: 7.5 MFD/370 V
ENCL: SEMI-ENCL.
UL LOGO
CSA LOGO
THERMALLY PROTECTED

EXTERNAL CONNECTION DIAGRAM



615248

PERFORMANCE CURVE NO.	TORQUE @1080 RPM (25°C)	APPROVED SAMPLE	UL COMPONENT		CSA	
			FILE #	CCN #	FILE #	CLASS #
C20959	45.6 OZ. FT.	EX10432	E46412	PRGY2	LR43341	4211-01



MAIN FRAME - OLE	OPEN
END FRAME - OLE	OPEN
MAIN FRAME - LE	ENCLOSED
END FRAME - LE	ENCLOSED
ENCLOSURE	

CUSTOMER	DISTRIBUTION SERVICE
----------	----------------------

GEOMETRIC CHARACTERISTICS & SYMBOLS
 ▭ FLATNESS
 - STRAIGHTNESS
 < ANGLARITY
 ⊥ PERPENDICULARITY (SQUARENESS)
 // PARALLELISM
 ○ ROUNDNESS (CIRCULARITY)
 ∅ CYLINDRICITY
 △ PROFILE OF ANY SURFACE
 ∩ PROFILE OF ANY LINE
 ↗ RUNOUT
 ⊕ TRUE POSITION
 ⊙ CONCENTRICITY
 = SYMMETRY
 ASME Y14.5M 1994

REGAL-BELOIT CORPORATION (RBC) PROVIDES TECHNICAL ASSISTANCE TO OUR CUSTOMERS IN SEVERAL AREAS. SINCE RBC DOES NOT RECEIVE ALL DATA CONCERNING THE USE AND APPLICATION OF THE MOTOR, THE SUITABILITY OF THE MOTOR FOR THE APPLICATION MUST BE DETERMINED BY THE CUSTOMER.
 DIMENSIONS WITHOUT TOLERANCES ARE FOR REFERENCE ONLY.

DR BY: AS 02-13-2011
 APPD: BS 02-13-2011
 THIRD ANGLE PROJECTION
 EDS DATE 11-11-2011
 FORMAT REV G
 CONFIDENTIAL: THIS DRAWING AND ITS INFORMATION ARE THE EXCLUSIVE AND CONFIDENTIAL PROPERTY OF REGAL-BELOIT CORPORATION AND ARE NOT TO BE DISCLOSED, DUPLICATED, DISTRIBUTED OR OTHERWISE USED WITHOUT THE WRITTEN CONSENT OF REGAL-BELOIT CORPORATION. -ALL RIGHTS RESERVED.



DESCRIPTION	
MODEL-RFHP-48FR OUTLINE	
SIZE C	DWG NO F48SQ6V28
SCALE NONE	SHEET 1

4

3

2

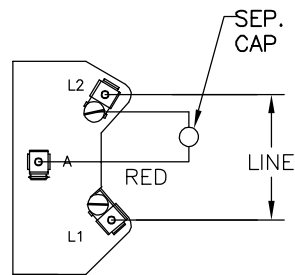
1

REVISION:	ECO	REVISADO POR:	FECHA:	APROBADO POR:	FECHA:
B	0025554	O. CARVAJAL	05-01-2012	M. AVILA	05-01-2012

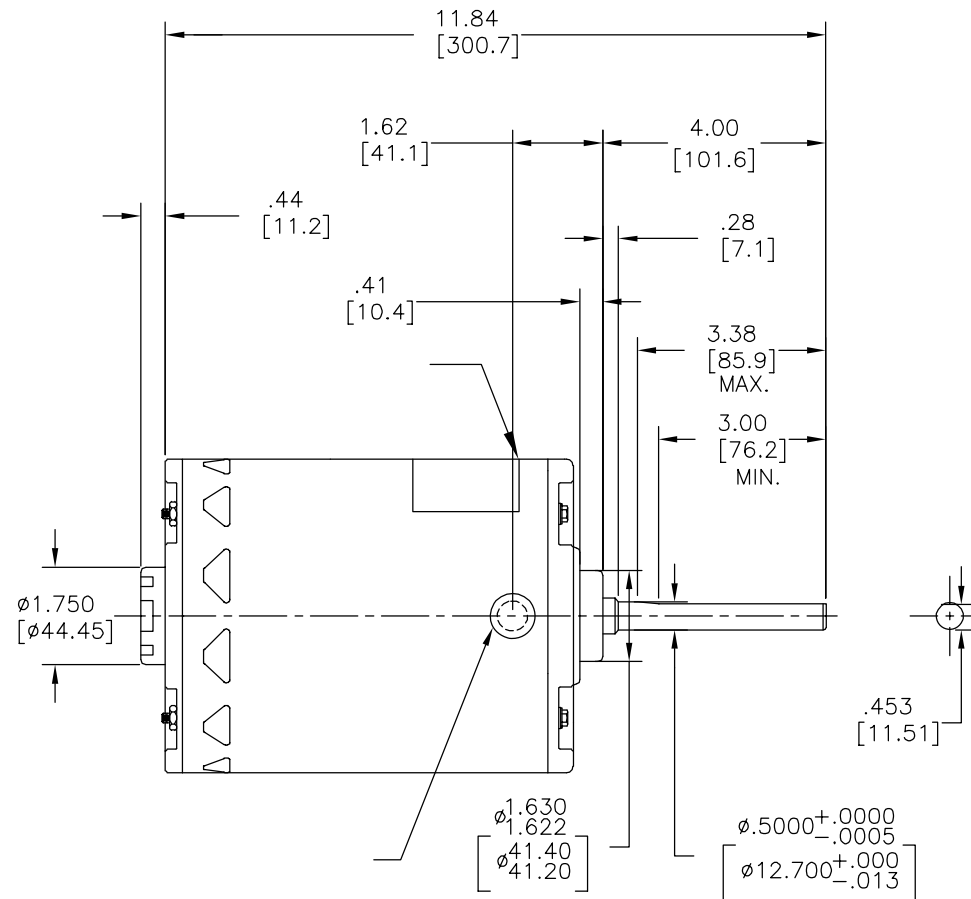
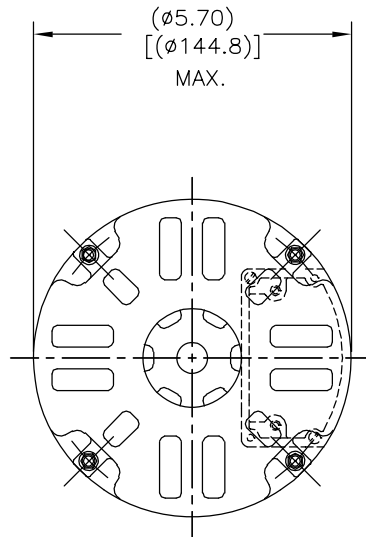
NOTES:
1. DISTRIBUTION CUST. P/N: OCD1056
GRAINGER CUST. P/N: 4UY53

SEE NOTE 1

MODEL NO.: F48SQ6V28
CUST. P/N: []
HP: 1/2
ROT.: CWLE
RPM: 1075
TYPE: UF
FRAME: 48
VOLTS: 208-230
PH: 1
AMPS: 4
HZ: 60
INS.: B
AMB.: 60°C
DUTY: AIR OVER
CAP.: 7.5 MFD/370 V
ENCL: SEMI-ENCL.
UL LOGO
CSA LOGO
THERMALLY PROTECTED



615248



C20959	45.6 OZ. FT.	EX10432	E46412	PRGY2	LR43341	4211-01	CSA
--------	--------------	---------	--------	-------	---------	---------	-----

DISTRIBUTION SERVICE

CARACTERISTICAS DE GEOMETRIA Y SIMBOLOS
 □ PLANICIDAD
 - RECTITUD
 < ANGULARIDAD
 ⊥ PERPENDICULARIDAD (A ESCUADRA)
 // PARALELISMO
 ○ REDONDEZ (CIRCULARIDAD)
 ∅ CILINDRICIDAD
 △ PERFIL DE CUALQUIER SUPERFICIE
 ∩ PERFIL DE CUALQUIER LINEA
 / VARIACION
 ⊕ POSICION REAL
 ⊙ CONCENTRICIDAD
 = SIMETRIA
 ASME Y14.5M 1994

REGAL-BELOIT CORPORATION (RBC) PROVEE ASISTENCIA TECNICA A NUESTROS CLIENTES EN VARIAS AREAS. DESDE QUE RBC NO RECIBE TODOS LOS DATOS EN RELACION AL USO Y A LA APLICACION DEL MOTOR, LA APLICACION ADECUADA DEL MOTOR DEBE SER DETERMINADA POR EL CLIENTE.

DIMENSIONES SIN TOLERANCIA SON DE REFERENCIA SOLAMENTE

DIBUJADO POR:	AS	02-13-2011
APROBADO POR:	BS	02-13-2011
TERCER ANGULO DE PROYECCION	⊕	FECHA EDS: 11-11-2011 REV. FORMATO: G

CONFIDENCIAL: ESTE DIBUJO Y SU INFORMACION SON PROPIEDAD DE USO EXCLUSIVO Y CONFIDENCIAL DE REGAL-BELOIT CORPORATION. Y NO DEBERAN SER REVELADOS, DUPLICADOS, DISTRIBUIDOS O USARSE DE OTRA MANERA SIN EL CONSENTIMIENTO ESCRITO DE REGAL-BELOIT CORPORATION. -TODOS LOS DERECHOS RESERVADOS.



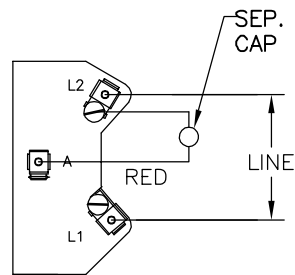
DESCRIPCION:	MODEL-RFHP-48FR OUTLINE	
TAMAÑO:	C	NUMERO DE DIBUJO: F48SQ6V28
ESCALA:	NONE	HOJA: 1

版本	ECO	编制	日期	批准	日期
B	0025554	O. CARVAJAL	05-01-2012	M. AVILA	05-01-2012

NOTES:
1. DISTRIBUTION CUST. P/N: OCD1056
GRAINGER CUST. P/N: 4UY53

SEE NOTE 1

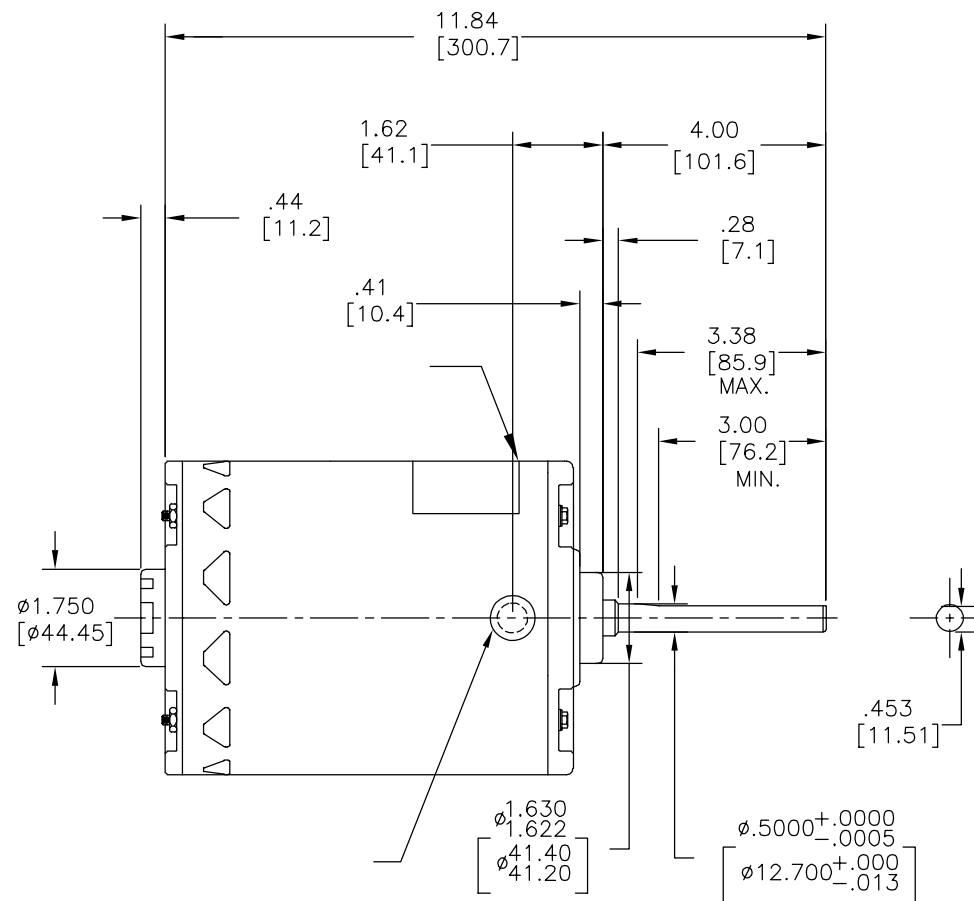
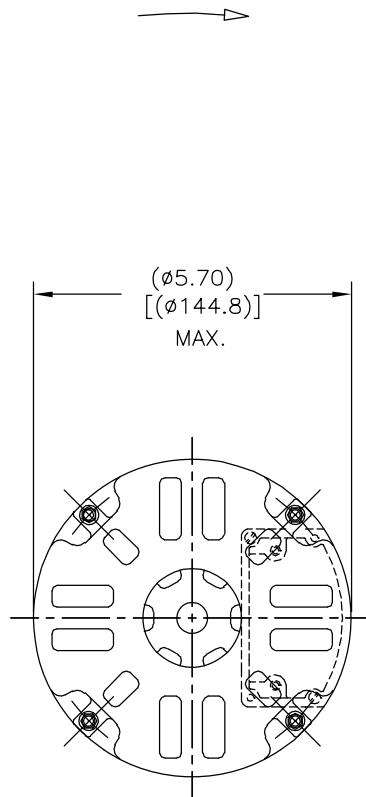
MODEL NO.: F48SQ6V28
CUST. P/N: []
HP: 1/2
ROT.: CWLE
RPM: 1075
TYPE: UF
FRAME: 48
VOLTS: 208-230
PH: 1
AMPS: 4
HZ: 60
INS.: B
AMB.: 60°C
DUTY: AIR OVER
CAP.: 7.5 MFD/370 V
ENCL: SEMI-ENCL.
UL LOGO
CSA LOGO
THERMALLY PROTECTED



615248

CSA

C20959	45.6 OZ. FT.	EX10432	E46412	PRGY2	LR43341	4211-01
--------	--------------	---------	--------	-------	---------	---------



- 形位公差
- 平面度
- 直线度
- ∠ 倾斜度
- ⊥ 垂直度
- // 平行度
- 圆度
- ⊘ 圆柱度
- △ 面轮廓度
- ∩ 线轮廓度
- ↗ 圆跳动
- ⊕ 位置度
- ⊙ 同轴度
- ≡ 对称度

ASME Y14.5M 1994

REGAL-BELOIT CORPORATION (RBC) 在个别领域为客户提供技术支持。鉴于RBC未收到任何涉及电机使用和应用环境的数据，电机的适用性由客户自己决定。

未注公差尺寸仅供参考。

绘图:	AS	02-13-2011
批准:	BS	02-13-2011
第三角投影		图纸格式发布日期 11-11-2011 图纸格式版本 G
机密: 本图纸及相关信息所有权归REGAL-BELOIT CORPORATION。未经REGAL-BELOIT CORPORATION书面授权, 不得泄露、复制、传播或作其他用途。—版权所有		



名称	MODEL-RFHP-48FR OUTLINE	
图幅	C	图号 F48SQ6V28
比例	NONE	页号 1