

4

3

2

1

REV	ECO	REV BY	DATE	APPD	DATE
F	0025554	O. CARVAJAL	05-01-2012	M. AVILA	05-01-2012

GENERAL INFORMATION:

SHAFT RUNOUT: .001 [.03] T.I.R. PER INCH LENGTH OF EXTENSION

END PLAY: .010 TO .063 [.25 TO 1.60]

BEARINGS: SLEEVE

MOUNTING POSITION: HORIZONTAL

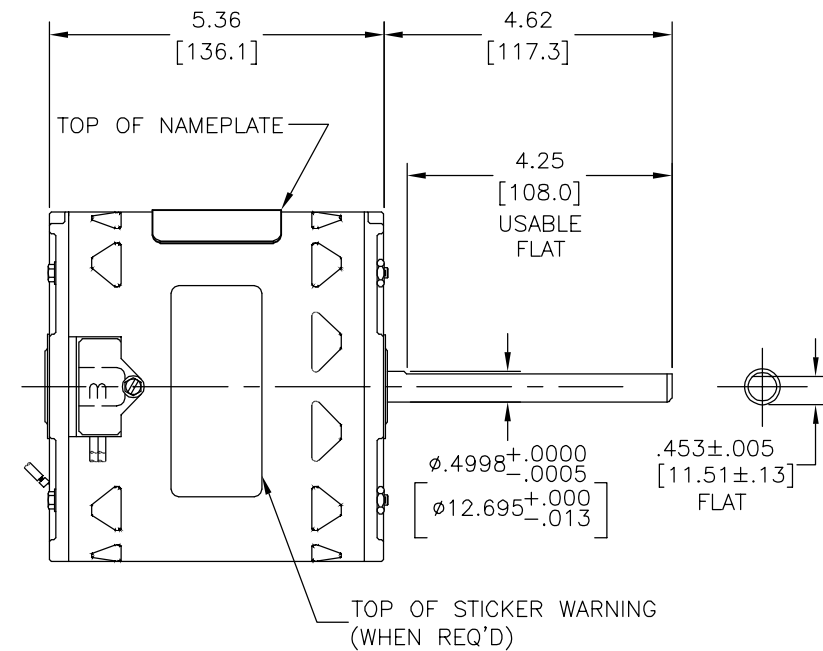
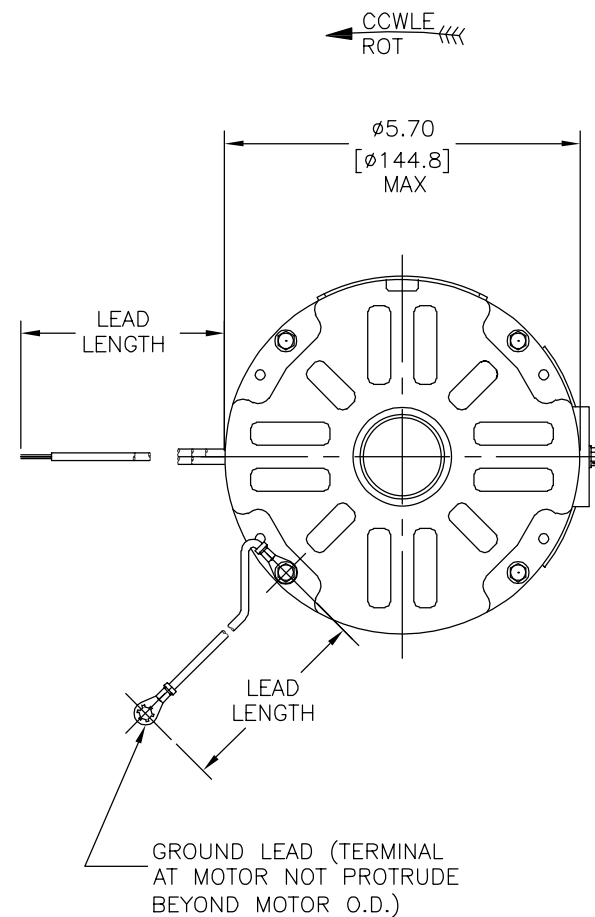
ELECTRICAL DATA:

OVERLOAD PROTECTOR: AUTOMATIC RESET (T.I. 7AM 036)

LINE LEADS: NO. 18 GA., .06 [1.5] THK. EPDM 125°C INSUL.

CAPACITOR LEADS: NO. 18 GA., .03 [.8] THK. CROSS-LINKED POLYETHELENE, 125°C INSUL.

GROUND LEAD: NO. 18 GA., .03 [.8] THK. (GREEN) INSUL.



NAMEPLATE DATA:	EXTERNAL CONNECTION DIAGRAM
MODEL NO.: F48H23A01 CUST. P/N: OCB4036SP HP: 1/3 ROT.: CCWLE RPM: 1050/4 SPD TYPE: UF FRAME: 48Y VOLTS: 115 PH: 1 AMPS: 5.7 (6.0 MAX) HZ: 60 INS.: B AMB.: 40°C DUTY: AIR OVER CAP.: 5 MFD/250V ENCL: OPEN UL LOGO CSA LOGO THERMALLY PROTECTED	

GREEN(GRD)	9.0/11.0 [229/279]	.25[6.4] EYELET
BROWN	CONNECTED TO CAPACITOR	.19[4.8] FEMALE SPADE
BROWN/WHITE	CONNECTED TO CAPACITOR	.19[4.8] FEMALE SPADE
WHITE	12.0/14.0 [305/356]	.50[12.7] STRIP
BLACK	12.0/14.0 [305/356]	.50[12.7] STRIP
YELLOW	12.0/14.0 [305/356]	.50[12.7] STRIP
BLUE	12.0/14.0 [305/356]	.50[12.7] STRIP
RED	12.0/14.0 [305/356]	.50[12.7] STRIP
COLOR	LENGTH	TERMINAL OR STRIP LENGTH

MAIN FRAME - OLE	OPEN
END FRAME - OLE	OPEN
MAIN FRAME - LE	OPEN
END FRAME - LE	OPEN

CUSTOMER	DISTRIBUTION SERVICES
----------	-----------------------

PERFORMANCE CURVE NO.	TORQUE @ 1050 RPM (25°C)	APPROVED SAMPLE	UL COMPONENT		CSA	
C31385	30.5 OZ. FT.	96AC076A	FILE #	CCN #	FILE #	CLASS #
			E46412	PRGY2	LR43341	4211-01

GEOMETRIC CHARACTERISTICS & SYMBOLS

- ▮ FLATNESS
- STRAIGHTNESS
- ∠ ANGULARITY
- ⊥ PERPENDICULARITY (SQUARENESS)
- // PARALLELISM
- ROUNDNESS (CIRCULARITY)
- ⊘ CYLINDRICITY
- △ PROFILE OF ANY SURFACE
- ∩ PROFILE OF ANY LINE
- ↗ RUNOUT
- ⊕ TRUE POSITION
- ◎ CONCENTRICITY
- ≡ SYMMETRY

ASME Y14.5M 1994

REGAL-BELOIT CORPORATION (RBC) PROVIDES TECHNICAL ASSISTANCE TO OUR CUSTOMERS IN SEVERAL AREAS. SINCE RBC DOES NOT RECEIVE ALL DATA CONCERNING THE USE AND APPLICATION OF THE MOTOR, THE SUITABILITY OF THE MOTOR FOR THE APPLICATION MUST BE DETERMINED BY THE CUSTOMER.

DIMENSIONS WITHOUT TOLERANCES ARE FOR REFERENCE ONLY.

DR BY: W. HEATH 06-16-1996

APPD: T. RILEY 01-27-1997

THIRD ANGLE PROJECTION

EDS DATE 11-11-2011
FORMAT REV G

CONFIDENTIAL: THIS DRAWING AND ITS INFORMATION ARE THE EXCLUSIVE AND CONFIDENTIAL PROPERTY OF REGAL-BELOIT CORPORATION AND ARE NOT TO BE DISCLOSED, DUPLICATED, DISTRIBUTED OR OTHERWISE USED WITHOUT THE WRITTEN CONSENT OF REGAL-BELOIT CORPORATION. -ALL RIGHTS RESERVED.

REGAL-BELOIT CORPORATION

DESCRIPTION: MODEL-RFHP-48FR OUTLINE

SIZE C DWG NO 11989-019

SCALE 1:1 SHEET 1

4

3

2

1

4

3

2

1

REVISION:	ECO	REVISADO POR:	FECHA:	APROBADO POR:	FECHA:
F	0025554	O. CARVAJAL	05-01-2012	M. AVILA	05-01-2012

INFORMACION GENERAL:

OSCILACION DE FLECHA: .001 [.03] T.I.R. PER INCH LENGTH OF EXTENSION

JUEGO AXIAL: .010 A .063 [.25 A 1.60]

BALEROS: MANGA

POSICION DEL MONTAJE: HORIZONTAL

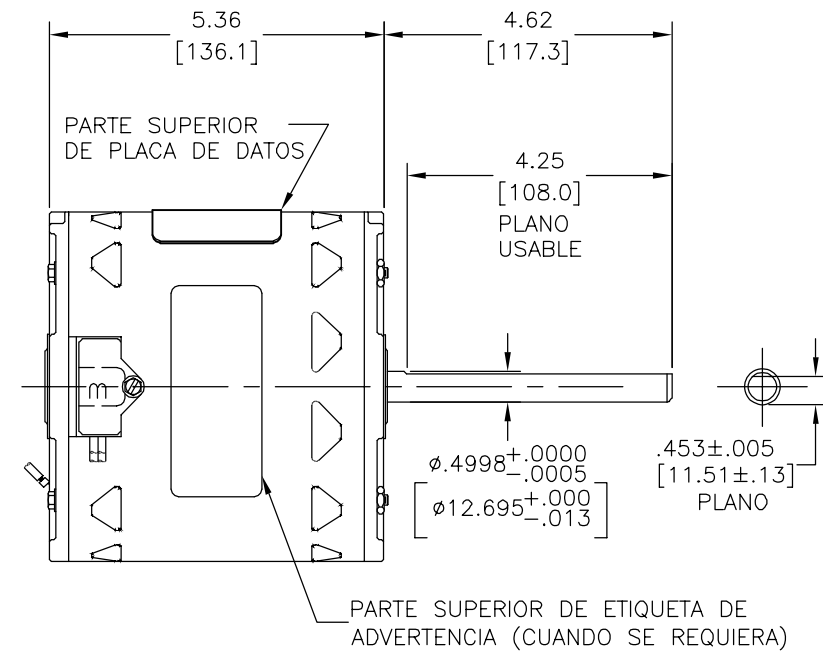
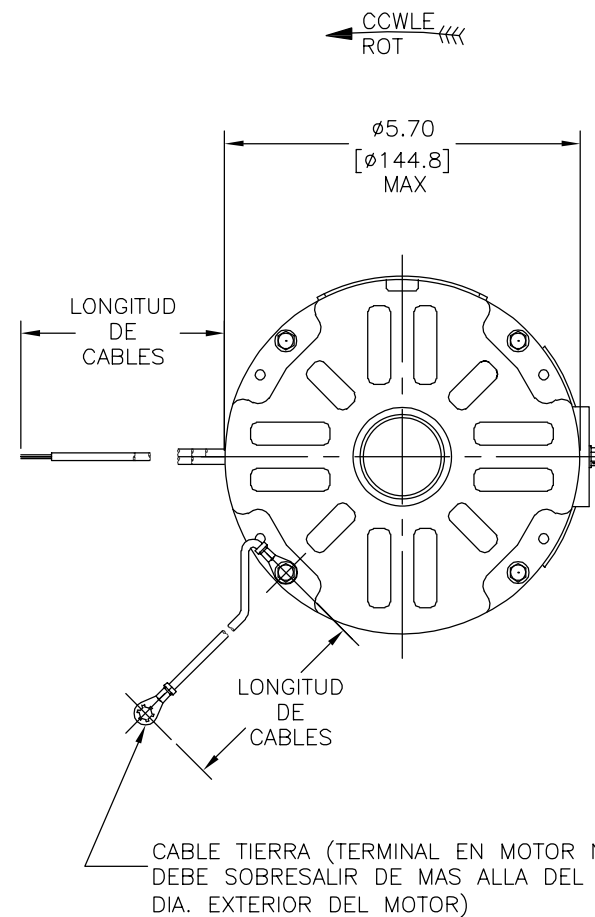
INFORMACION ELECTRICA:

SOBRECARGA DEL PROTECTOR: REINICIO AUTOMATIC (T.I. 7AM 036)

CABLES: NO. 18 GA., .06 [1.5] THK. PVC 105°C AISLAM.

CABLES DE CAPACITOR: CALIBRE 18, .03 [.8] ESP. CROSS-LINKED POLIETILENO, 125°C INSUL.

CABLE DE TIERRA: NO. 18 GA., .03 [.8] THK. (VERDE) AISLAM.



VERDE(TIERRA)	9.0/11.0 [229/279]	.25[6.4] OJAL
CAFE	CONECTADO A CAPACITOR	.19[4.8] ESPADA HEMBRA
CAFE/BLANCO	CONECTADO A CAPACITOR	.19[4.8] ESPADA HEMBRA
BLANCO	12.0/14.0 [305/356]	.50[12.7] DESFORRE
NEGRO	12.0/14.0 [305/356]	.50[12.7] DESFORRE
AMARILLO	12.0/14.0 [305/356]	.50[12.7] DESFORRE
AZUL	12.0/14.0 [305/356]	.50[12.7] DESFORRE
ROJO	12.0/14.0 [305/356]	.50[12.7] DESFORRE
COLOR	LONGITUD	TERMINAL O LONGITUD DE DESFORRE

DE CARCASA - OLE	ABIERTO
DE TAPA - OLE	ABIERTO
DE CARCASA - LE	ABIERTO
DE TAPA - LE	ABIERTO

CLIENTE	DISTRIBUTION SERVICES
---------	-----------------------

INFORMACION DE ETIQUETA:	DIAGRAMA DE CONEXION EXTRNA
MODEL NO.: F48H23A01 CUST. P/N: OCB4036SP HP: 1/3 ROT.: CCWLE RPM: 1050/4 SPD TYPE: UF FRAME: 48Y VOLTS: 115 PH: 1 AMPS: 5.7 (6.0 MAX) HZ: 60 INS.: B AMB.: 40°C DUTY: AIR OVER CAP.: 5 MFD/250V ENCL: OPEN UL LOGO CSA LOGO THERMALLY PROTECTED	

CURVAS DE FUNCIONAMIENTO	TORSION @--- RPM (25°C)	MUESTRA APROBADA	COMPONENTE UL	CSA
C31385	30.5 OZ. FT.	96AC076A	#ARCHIVO CCN #	#ARCHIVO CLASE #
			E46412 PRGY2	LR43341 4211-01

CARACTERISTICAS DE GEOMETRIA Y SIMBOLOS
 ▽ PLANICIDAD
 — RECTITUD
 ∠ ANGULARIDAD
 ⊥ PERPENDICULARIDAD (A ESCUADRA)
 // PARALELISMO
 ○ REDONDEZ (CIRCULARIDAD)
 ∅ CILINDRICIDAD
 △ PERFIL DE CUALQUIER SUPERFICIE
 ▲ PERFIL DE CUALQUIER LINEA
 ↗ VARIACION
 ⊕ POSICION REAL
 ⊙ CONCENTRICIDAD
 = SIMETRIA
 ASME Y14.5M 1994

REGAL-BELOIT CORPORATION (RBC) PROVEE ASISTENCIA TECNICA A NUESTROS CLIENTES EN VARIAS AREAS. DESDE QUE RBC NO RECIBE TODOS LOS DATOS EN RELACION AL USO Y A LA APLICACION DEL MOTOR, LA APLICACION ADECUADA DEL MOTOR DEBE SER DETERMINADA POR EL CLIENTE.
 DIMENSIONES SIN TOLERANCIA SON DE REFERENCIA SOLAMENTE

DIBUJADO POR: W. HEATH 06-16-1996
 APROBADO POR: T. RILEY 01-27-1997
 TERCER ANGULO DE PROYECCION
 FECHA EDS: 11-11-2011
 REV. FORMATO: G
 CONFIDENCIAL: ESTE DIBUJO Y SU INFORMACION SON PROPIEDAD DE USO EXCLUSIVO Y CONFIDENCIAL DE REGAL-BELOIT CORPORATION. Y NO DEBERAN SER REVELADOS, DUPLICADOS, DISTRIBUIDOS O USARSE DE OTRA MANERA SIN EL CONSENTIMIENTO ESCRITO DE REGAL-BELOIT CORPORATION. -TODOS LOS DERECHOS RESERVADOS.

REGAL-BELOIT CORPORATION
 DESCRIPCION: MODEL-RFHP-48FR OUTLINE
 TAMAÑO: C NUMERO DE DIBUJO: 11989-019
 ESCALA: 1:1 HOJA: 1

4

3

2

1

4

3

2

1

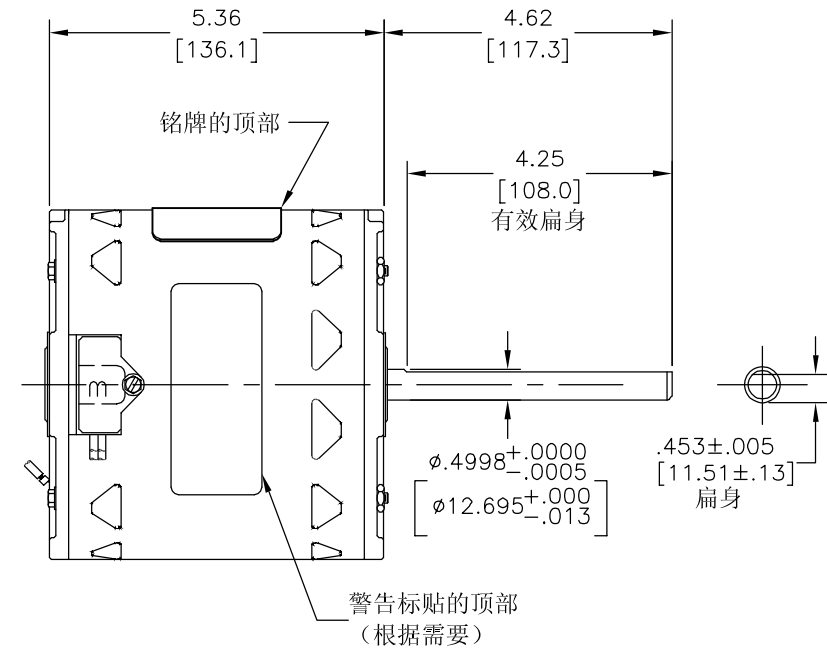
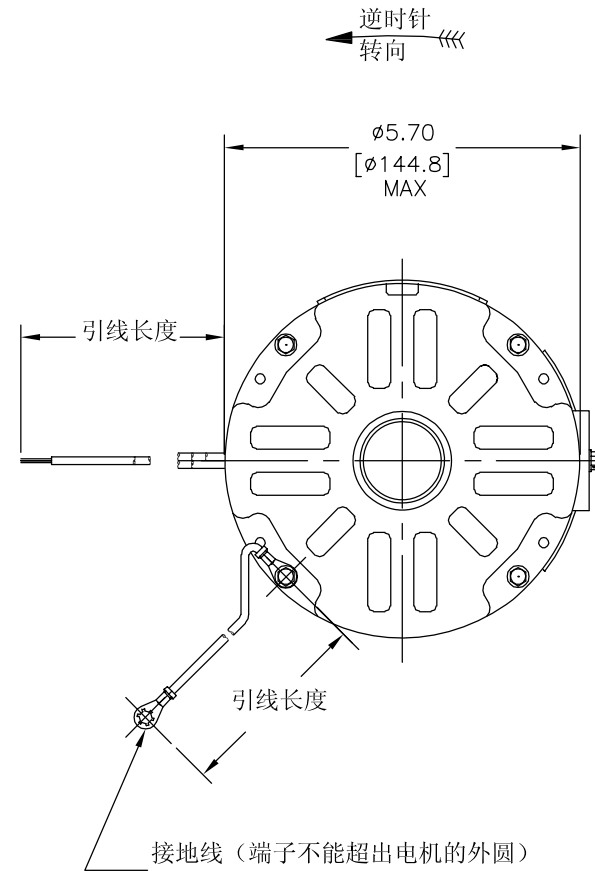
版本	ECO	编制	日期	批准	日期
F	0025554	O. CARVAJAL	05-01-2012	M. AVILA	05-01-2012

总要求:

轴跳动: .001/1 [.03/25.4] (外伸轴)
 端部窜动量: .010 - .063 [.25 - 1.60]
 轴承: 含油轴承
 安装位置: 水平

电气数据:

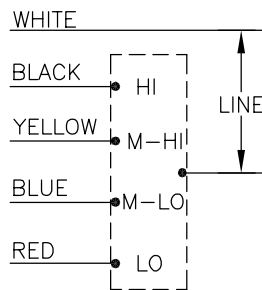
过载保护: 自动复位 (T. I. 7AM 036)
 引线: 18GA, 厚.06[1.5] EPDM 125°C 绝缘
 电容器引线: NO.18GA., 厚.03[.8] 交叉耦合聚乙烯 125° 绝缘
 接地线: 18GA, 厚.03[.8] 绿色绝缘



铭牌数据

外部连接详图

MODEL NO.: F48H23A01
 CUST. P/N: OCB4036SP
 HP: 1/3
 ROT.: CCWLE
 RPM: 1050/4 SPD
 TYPE: UF
 FRAME: 48Y
 VOLTS: 115
 PH: 1
 AMPS: 5.7 (6.0 MAX)
 HZ: 60
 INS.: B
 AMB.: 40°C
 DUTY: AIR OVER
 CAP.: 5 MFD/250V
 ENCL: OPEN
 UL LOGO
 CSA LOGO
 THERMALLY PROTECTED



绿 (接地)	9.0/11.0 [229/279]	.25[6.4] 金属圈
棕	连接到电容器	.19[4.8] 母铲形插
棕/白	连接到电容器	.19[4.8] 母铲形插
白	12.0/14.0 [305/356]	.50[12.7] 剥线长
黑	12.0/14.0 [305/356]	.50[12.7] 剥线长
黄	12.0/14.0 [305/356]	.50[12.7] 剥线长
蓝	12.0/14.0 [305/356]	.50[12.7] 剥线长
红	12.0/14.0 [305/356]	.50[12.7] 剥线长
颜色	长度	端子或剥线长度

非引线端机壳	开启
非引线端端盖	开启
引线端机壳	开启
引线端端盖	开启

用户	DISTRIBUTION SERVICES
----	-----------------------

性能曲线编号	转矩在1050RPM (25° C)	批准样品	UL部件		CSA	
			文件号	指南	文件号	指南
C31385	30.5 OZ. FT.	96AC076A	E46412	PRGY2	LR43341	4211-01

- 形位公差
- 平面度
- 直线度
- ∠ 倾斜度
- ⊥ 垂直度
- // 平行度
- 圆度
- ⊘ 圆柱度
- ⊙ 面轮廓度
- △ 线轮廓度
- ∧ 圆跳动
- ⊕ 位置度
- ⊙ 同轴度
- ≡ 对称度

ASME Y14.5M 1994

REGAL-BELOIT CORPORATION (RBC) 在个别领域为客户提供技术支持。鉴于RBC未收到任何涉及电机使用和应用环境的数据, 电机的适用性由客户自己决定。

未注公差尺寸仅供参考。

绘图: W. HEATH 06-16-1996
 批准: T. RILEY 01-27-1997
 第三角投影
 机密: 本图纸及相关信息所有权归REGAL-BELOIT CORPORATION。未经REGAL-BELOIT CORPORATION书面授权, 不得泄露、复制、传播或作其他用途。—版权所有



名称: MODEL-RFHP-48FR OUTLINE
 图幅: C 图号: 11989-019
 比例: 1:1 页号: 1

4

3

2

1