

4

3

2

1

REV	ECO	REV BY	DATE	APPD	DATE
B	0024331	A.CHEN	03-13-2012	B.SHEN	03-13-2012

GENERAL INFORMATION:

SHAFT RUNOUT: .001[.03] T.I.R. PER INCH LENGTH OF EXTENSION.
 END PLAY: .010[.25] TO .063[1.60]
 BEARINGS: SLEEVE
 MOUNTING POSITION: HORIZONTAL

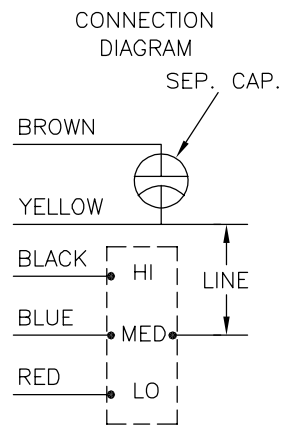
ELECTRICAL DATA:

OVERLOAD PROTECTOR: AUTOMATIC RESET (T.I. 7AM 036)
 LEADS: NO. 18 GA., .03[.8]THK., 125°C INSUL.
 GROUND LEAD: NO. 18 GA., .03[.8]THK., (GREEN) INSUL.

NAMEPLATE DATA:

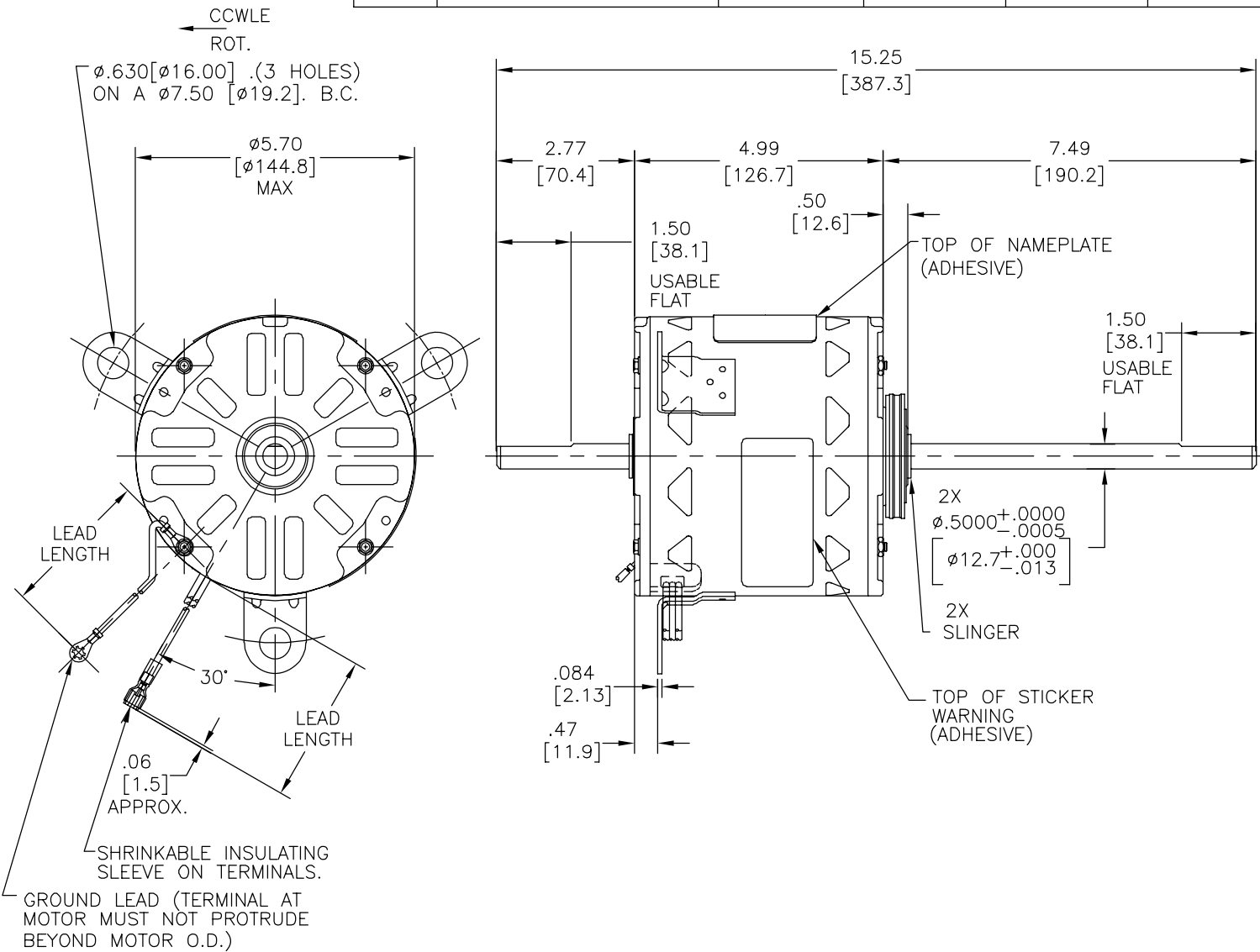
EXTERNAL CONNECTION DIAGRAM

MODEL NO.: F48V06A01
 CUST. P/N: OCB1056
 HP: 1/2
 ROT.: CCWLE
 RPM: 1075/3 SPD
 TYPE: UF
 FRAME: 48Y
 VOLTS: 208-230
 PH: 1
 AMPS: 3
 HZ: 60
 INS.: B
 AMB.: 40° C
 DUTY: AIR OVER
 CAP.: 7.5 MFD/370V
 ENCL: SEMI-ENCLOSED
 UL LOGO
 CSA LOGO
 THERMALLY PROTECTED



614131-040

PERFORMANCE CURVE NO.	TORQUE @ 1075 RPM (25°C)	APPROVED SAMPLE	UL COMPONENT		CSA	
			FILE #	CCN #	FILE #	CLASS #
C32286	41.6 OZ. FT.	0442383B	E46412	PRGY2	LR43341	4211-01



COLOR	LENGTH	TERMINAL OR STRIP LENGTH
GREEN (GRD)	15.0/17.0 [381/432]	#10 EYELET
BROWN	31.0/33.0 [787/838]	.25[6.4] FEMALE SPADE
YELLOW	31.0/33.0 [787/838]	.25[6.4] FEMALE SPADE
BLACK	31.0/33.0 [787/838]	.25[6.4] FEMALE SPADE
BLUE	31.0/33.0 [787/838]	.25[6.4] FEMALE SPADE
RED	31.0/33.0 [787/838]	.25[6.4] FEMALE SPADE

MAIN FRAME - OLE	OPEN
END FRAME - OLE	ENCLOSED
MAIN FRAME - LE	OPEN
END FRAME - LE	OPEN

CUSTOMER	DISTRIBUTION SERVICES
----------	-----------------------

GEOMETRIC CHARACTERISTICS & SYMBOLS
 □ FLATNESS
 — STRAIGHTNESS
 ∠ ANGULARITY
 ⊥ PERPENDICULARITY (SQUARENESS)
 ∥ PARALLELISM
 ○ ROUNDNESS (CIRCULARITY)
 ∅ CYLINDRICITY
 △ PROFILE OF ANY SURFACE
 ∩ PROFILE OF ANY LINE
 ↗ RUNOUT
 ⊕ TRUE POSITION
 ⊙ CONCENTRICITY
 = SYMMETRY
 ASME Y14.5M 1994

REGAL-BELOIT CORPORATION (RBC) PROVIDES TECHNICAL ASSISTANCE TO OUR CUSTOMERS IN SEVERAL AREAS. SINCE RBC DOES NOT RECEIVE ALL DATA CONCERNING THE USE AND APPLICATION OF THE MOTOR, THE SUITABILITY OF THE MOTOR FOR THE APPLICATION MUST BE DETERMINED BY THE CUSTOMER.
 DIMENSIONS WITHOUT TOLERANCES ARE FOR REFERENCE ONLY.

DR BY: A.CHEN 03-13-2012
 APPD: B.SHEN 03-13-2012
 THIRD ANGLE PROJECTION
 CONFIDENTIAL: THIS DRAWING AND ITS INFORMATION ARE THE EXCLUSIVE AND CONFIDENTIAL PROPERTY OF REGAL-BELOIT CORPORATION AND ARE NOT TO BE DISCLOSED, DUPLICATED, DISTRIBUTED OR OTHERWISE USED WITHOUT THE WRITTEN CONSENT OF REGAL-BELOIT CORPORATION. -ALL RIGHTS RESERVED.

REGAL-BELOIT CORPORATION

DESCRIPTION: MODEL-RFHP-48FR OUTLINE

SIZE: C DWG NO: OCB1056

SCALE: NONE SHEET: 1

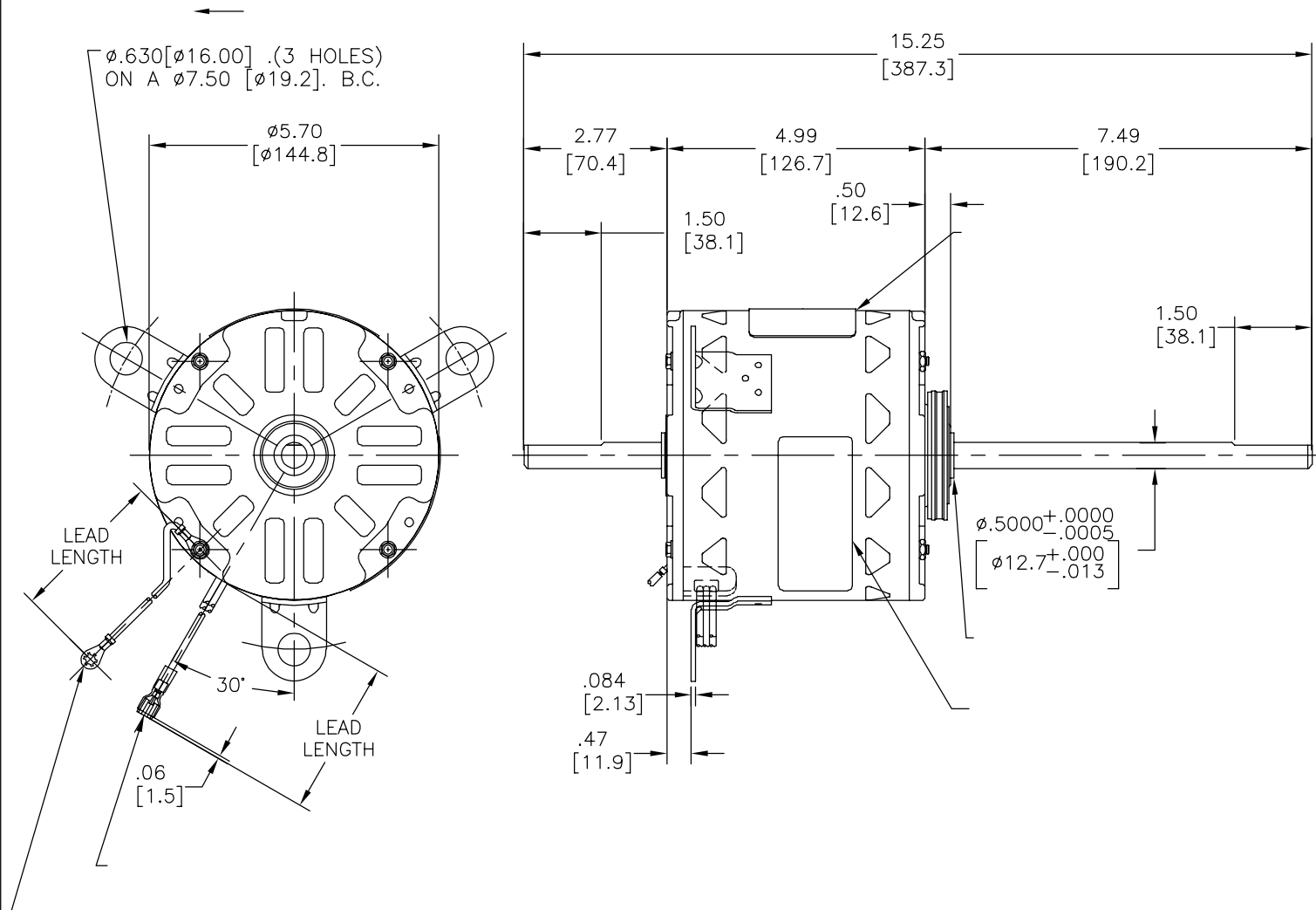
4

3

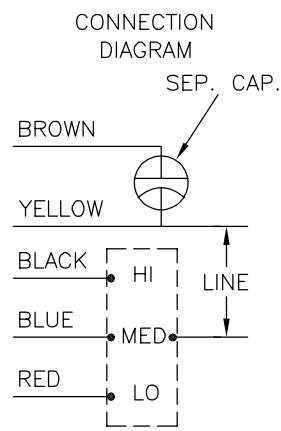
2

1

REVISION:	ECO	REVISADO POR:	FECHA:	APROBADO POR:	FECHA:
B	0024331	A.CHEN	03-13-2012	B.SHEN	03-13-2012



MODEL NO.: F48V06A01
 CUST. P/N: OCB1056
 HP: 1/2
 ROT.: CCWLE
 RPM: 1075/3 SPD
 TYPE: UF
 FRAME: 48Y
 VOLTS: 208-230
 PH: 1
 AMPS: 3
 HZ: 60
 INS.: B
 AMB.: 40° C
 DUTY: AIR OVER
 CAP.: 7.5 MFD/370V
 ENCL: SEMI-ENCLOSED
 UL LOGO
 CSA LOGO
 THERMALLY PROTECTED



614131-040

	15.0/17.0	
	[381/432]	
	31.0/33.0	
	[787/838]	
	31.0/33.0	
	[787/838]	
	31.0/33.0	
	[787/838]	
	31.0/33.0	.25[6.4] FEMALE SPADE
	[787/838]	
	31.0/33.0	.25[6.4] FEMALE SPADE
	[787/838]	

C32286	41.6 OZ. FT.	0442383B	E46412	PRGY2	LR43341	4211-01
--------	--------------	----------	--------	-------	---------	---------

DISTRIBUTION SERVICES

CARACTERISTICAS DE GEOMETRIA Y SIMBOLOS
 ▮ PLANICIDAD
 — RECTITUD
 < ANGULARIDAD
 ⊥ PERPENDICULARIDAD (A ESCUADRA)
 // PARALELISMO
 ○ REDONDEZ (CIRCULARIDAD)
 ∅ CILINDRICIDAD
 △ PERFIL DE CUALQUIER SUPERFICIE
 ▲ PERFIL DE CUALQUIER LINEA
 ↗ VARIACION
 ⊕ POSICION REAL
 ⊙ CONCENTRICIDAD
 = SIMETRIA
 ASME Y14.5M 1994

REGAL-BELOIT CORPORATION (RBC)
 PROVEE ASISTENCIA TECNICA A NUESTROS CLIENTES EN VARIAS AREAS. DESDE QUE RBC NO RECIBE TODOS LOS DATOS EN RELACION AL USO Y A LA APLICACION DEL MOTOR, LA APLICACION ADECUADA DEL MOTOR DEBE SER DETERMINADA POR EL CLIENTE.

DIMENSIONES SIN TOLERANCIA SON DE REFERENCIA SOLAMENTE

DIBUJADO POR: A.CHEN
 03-13-2012

APROBADO POR: B.SHEN
 03-13-2012

TERCER ANGULO DE PROYECCION
 FECHA EDS: 11-11-2011
 REV. FORMATO: G

CONFIDENCIAL: ESTE DIBUJO Y SU INFORMACION SON PROPIEDAD DE USO EXCLUSIVO Y CONFIDENCIAL DE REGAL-BELOIT CORPORATION. Y NO DEBERAN SER REVELADOS, DUPLICADOS, DISTRIBUIDOS O USARSE DE OTRA MANERA SIN EL CONSENTIMIENTO ESCRITO DE REGAL-BELOIT CORPORATION. -TODOS LOS DERECHOS RESERVADOS.

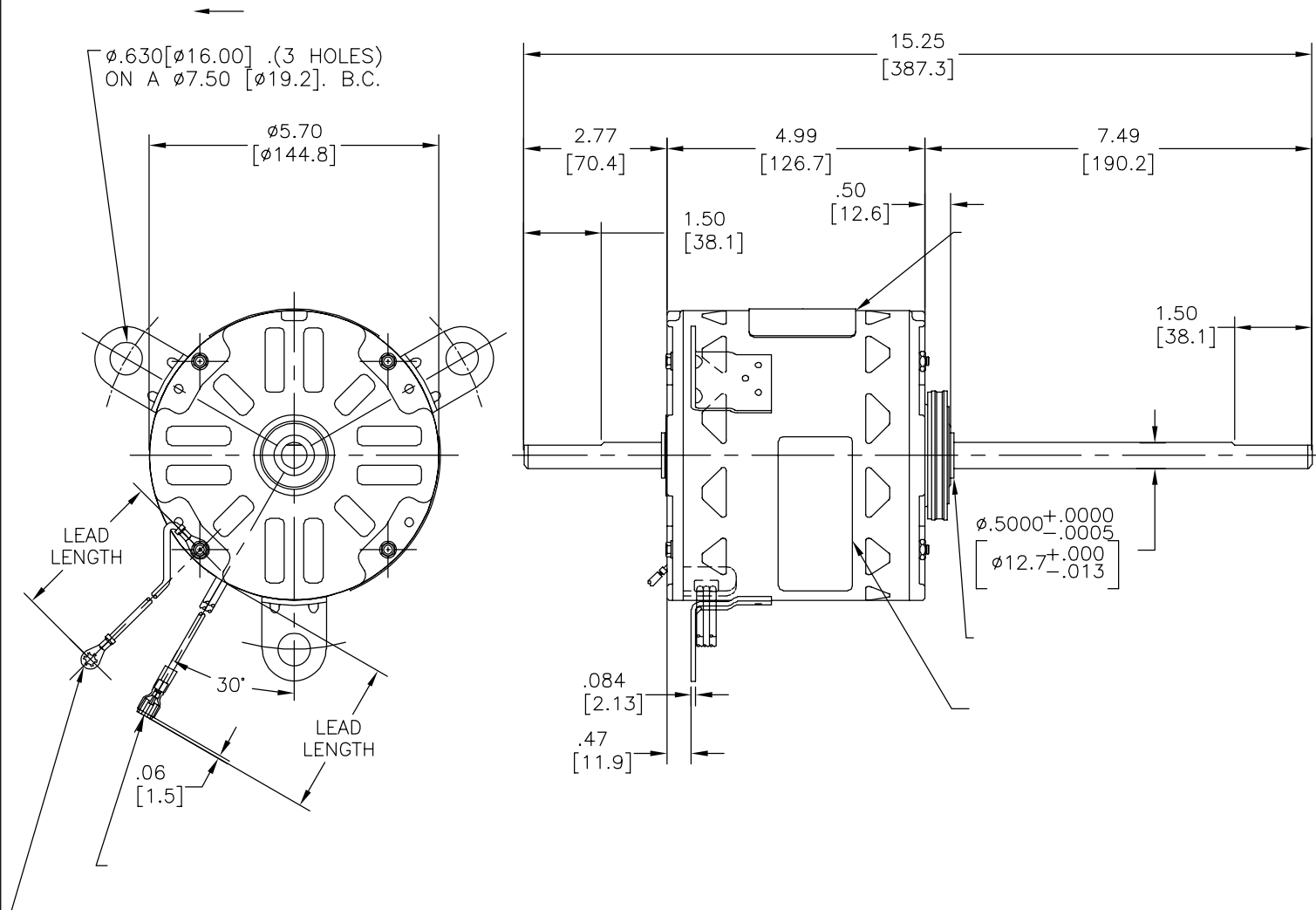


DESCRIPCION: MODEL-RFHP-48FR OUTLINE

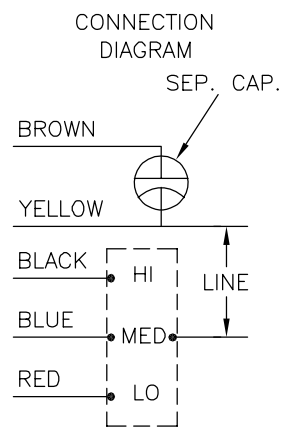
TAMAÑO: C NUMERO DE DIBUJO: OCB1056

ESCALA: NONE HOJA: 1

版本	ECO	编制	日期	批准	日期
B	0024331	A.CHEN	03-13-2012	B.SHEN	03-13-2012



MODEL NO.: F48V06A01
 CUST. P/N: OCB1056
 HP: 1/2
 ROT.: CCWLE
 RPM: 1075/3 SPD
 TYPE: UF
 FRAME: 48Y
 VOLTS: 208-230
 PH: 1
 AMPS: 3
 HZ: 60
 INS.: B
 AMB.: 40° C
 DUTY: AIR OVER
 CAP.: 7.5 MFD/370V
 ENCL: SEMI-ENCLOSED
 UL LOGO
 CSA LOGO
 THERMALLY PROTECTED



614131-040

	15.0/17.0	
	[381/432]	
	31.0/33.0	
	[787/838]	
	31.0/33.0	
	[787/838]	
	31.0/33.0	
	[787/838]	
	31.0/33.0	.25[6.4] FEMALE SPADE
	[787/838]	
	31.0/33.0	.25[6.4] FEMALE SPADE
	[787/838]	

C32286 41.6 OZ. FT. 0442383B E46412 PRGY2 LR43341 4211-01

DISTRIBUTION SERVICES

- 形位公差
- 平面度
- 直线度
- ∠ 倾斜度
- ⊥ 垂直度
- // 平行度
- 圆度
- ⊘ 圆柱度
- ⊖ 面轮廓度
- ⊖ 线轮廓度
- ↗ 圆跳动
- ⊕ 位置度
- ⊙ 同轴度
- ≡ 对称度

ASME Y14.5M 1994

REGAL-BELOIT CORPORATION (RBC) 在个别领域为客户提供技术支持。鉴于RBC未收到任何涉及电机使用和应用环境的数据，电机的适用性由客户自己决定。

未注公差尺寸仅供参考。

绘图: A.CHEN 03-13-2012

批准: B.SHEN 03-13-2012

第三角投影 图纸格式发布日期 11-11-2011 图纸格式版本 G

机密: 本图纸及相关信息所有权归REGAL-BELOIT CORPORATION。未经REGAL-BELOIT CORPORATION书面授权, 不得泄露、复制、传播或作其他用途。一版权所有



名称 MODEL-RFHP-48FR OUTLINE

图幅 C 图号 OCB1056

比例 NONE 页号 1