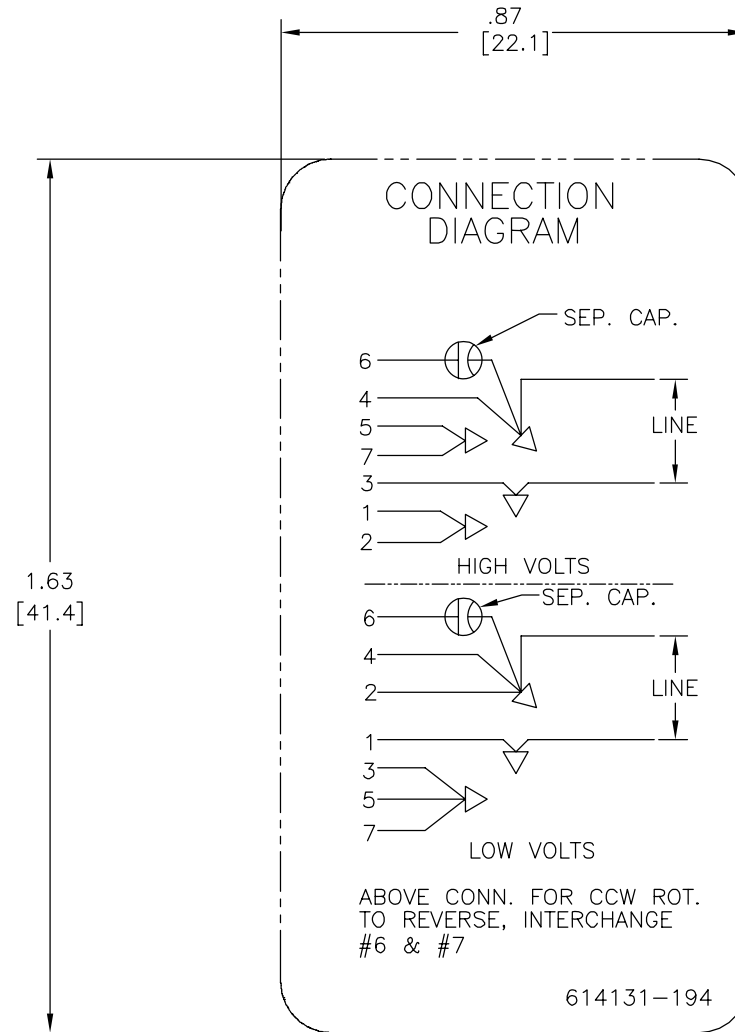


|     |             |        |            |      |            |
|-----|-------------|--------|------------|------|------------|
| REV | ECO         | REV BY | DATE       | APPD | DATE       |
| B   | ECO-0019694 | TH     | 03-28-2011 | CZ   | 03-28-2011 |



NOTES:

1. FOR USE WITH 614129 NAMEPLATE BLANK
2. - - - - - INDICATES DIMENSION LIMITS
3. DIE TO BE MADE FROM MASTER SUPPLIED BY A. O. SMITH CORPORATION
4. DIE MUST PRODUCE A LEGIBLE IMPRESSION.

GEOMETRIC CHARACTERISTICS & SYMBOLS

- ▭ FLATNESS
- STRAIGHTNESS
- ∠ ANGULARITY
- ⊥ PERPENDICULARITY (SQUARENESS)
- // PARALLELISM
- ROUNDNESS (CIRCULARITY)
- ⊘ CYLINDRICITY
- △ PROFILE OF ANY SURFACE
- ∩ PROFILE OF ANY LINE
- ↗ RUNOUT
- ⊕ TRUE POSITION
- ◎ CONCENTRICITY
- ≡ SYMMETRY

UNLESS OTHERWISE SPECIFIED DIM. TOLERANCES ARE AS FOLLOWS:

|      |      |       |        |         |
|------|------|-------|--------|---------|
| INCH | X    | XX    | XXX    | XXXX    |
| mm   | ±0.1 | ±0.02 | ±0.005 | ±0.0005 |
|      | ±0.5 | ±0.13 | ±0.013 |         |

ANG. ±50 DEG  
REMOVE BURRS & BREAK SHARP EDGES:  
INCH .003-.015 mm 0.1-0.4

CORNER FILLETS TO:  
INCH .020 mm 0.5

MACHINE SURFACES:  
INCH 125 mm 3.2

METRIC DIMS. SHOWN IN [BRACKETS]

|   |     |                                     |
|---|-----|-------------------------------------|
| DR BY:  | HZ  | 09-08-2009                          |
| APPD:   | Tim | 09-09-2009                          |
| THIRD ANGLE PROJECTION  |     | EDS DATE 01-21-2007<br>FORMAT REV F |
| CONFIDENTIAL: THIS DRAWING AND ITS INFORMATION ARE THE EXCLUSIVE AND CONFIDENTIAL PROPERTY OF A.O. SMITH CORP. AND ARE NOT TO BE DISCLOSED, DUPLICATED, DISTRIBUTED OR OTHERWISE USED WITHOUT THE WRITTEN CONSENT OF A.O. SMITH CORP.<br>-ALL RIGHTS RESERVED. ASME Y14.5M 1994 |     |                                     |

|                                       |  |
|---------------------------------------|--|
|                                       | <b>ELECTRICAL PRODUCTS COMPANY</b><br><small>A DIVISION OF A. O. SMITH CORPORATION</small> |
| DESCRIPTION<br>CONN DIAGRAM-NAMEPLATE |  |
| SIZE<br>C                             | DWG NO<br>614131-194   |
| SCALE<br>NONE                         | SHEET<br>1   |

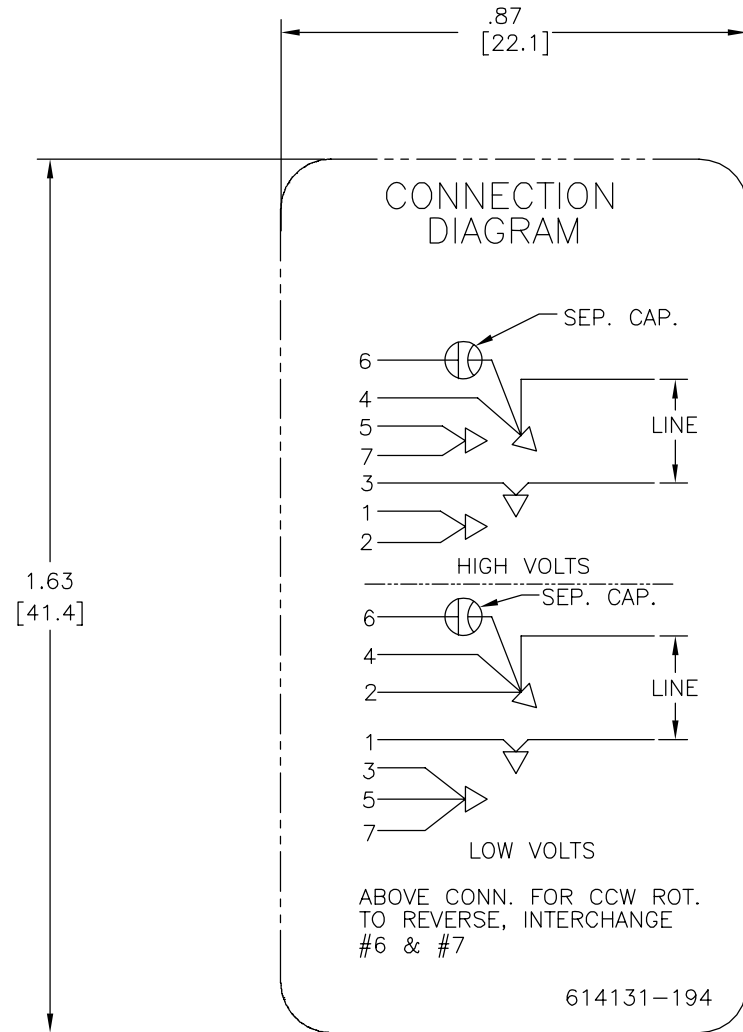
4

3

2

1

|           |             |               |            |               |            |
|-----------|-------------|---------------|------------|---------------|------------|
| REVISION: | ECO         | REVISADO POR: | FECHA:     | APROBADO POR: | FECHA:     |
| B         | ECO-0019694 | TH            | 03-28-2011 | CZ            | 03-28-2011 |



NOTES:

1. FOR USE WITH 614129 NAMEPLATE BLANK
2. - - - - - INDICATES DIMENSION LIMITS
3. DIE TO BE MADE FROM MASTER SUPPLIED BY A. O. SMITH CORPORATION
4. DIE MUST PRODUCE A LEGIBLE IMPRESSION.

| CARACTERISTICAS DE GEOMETRIA Y SIMBOLOS |                                |
|---|--------------------------------|
| ∠                                       | PLANICIDAD                     |
| -                                       | RECTITUD                       |
| ∠                                       | ANGULARIDAD                    |
| ⊥                                       | PERPENDICULARIDAD (A ESCUADRA) |
| //                                      | PARALELISMO                    |
| ○                                       | REDONDEZ (CIRCULARIDAD)        |
| ⊘                                       | CILINDRICIDAD                  |
| △                                       | PERFIL DE CUALQUIER SUPERFICIE |
| ∧                                       | PERFIL DE CUALQUIER LINEA      |
| ∧                                       | VARIACION                      |
| ⊕                                       | POSICION REAL                  |
| ◎                                       | CONCENTRICIDAD                 |
| ≡                                       | SIMETRIA                       |

|   |                       |
|---|-----------------------|
| A MENOS QUE SE ESPECIFIQUE DE OTRA MANERA, LAS TOLERANCIAS DE LAS DIMS. SON LAS SIGUIENTES: |                       |
| PULG  | ±.1 ±.02 ±.005 ±.0005 |
| mm  | ±0.5 ±0.13 ±0.013     |
| ANG.  | ± 50 GRADOS           |
| ELIMINAR REBABAS Y ORILLAS FILOSAS DEL BORDE.   |                       |
| PULG  | .003-.015 mm 0.1-0.4  |
| FILETEAR ESQUINA: PULG .020 mm 0.5  |                       |
| MAQUINAR SUPERFICIES  |                       |
| PULG  | 125 mm 3.2            |
| DIMS METRICAS MOSTRADAS [PARENTESIS]  |                       |

|   |     |                       |
|---|-----|-----------------------|
| DIBUJADO POR:   | HZ  | 09-08-2009            |
| APROBADO POR:   | Tim | 09-09-2009            |
| TERCER ANGULO DE PROYECCION   | ⊕   | FECHA EDS: 01-21-2007 |
|   |     | REV. FORMATO: F       |
| CONFIDENCIAL: ESTE DIBUJO Y SU INFORMACION SON PROPIEDAD DE USO EXCLUSIVO Y CONFIDENCIAL DE A.O.SMITH CORP. Y NO DEBERAN SER REVELADOS, DUPLICADOS, DISTRIBUIDOS O USARSE DE OTRA MANERA SIN EL CONSENTIMIENTO ESCRITO DE A.O. SMITH CORP. -TODOS LOS DERECHOS RESERVADOS. ASME Y14.5M 1994 |     |                       |

|   |              |                              |
|---|--------------|------------------------------|
| <p><b>ELECTRICAL PRODUCTS COMPANY</b><br/>A DIVISION OF A. O. SMITH CORPORATION</p> | DESCRIPCION: |                              |
|   | TAMAÑO: C    | NUMERO DE DIBUJO: 614131-194 |
| ESCALA: NONE  |              | HOJA: 1                      |

4

3

2

1

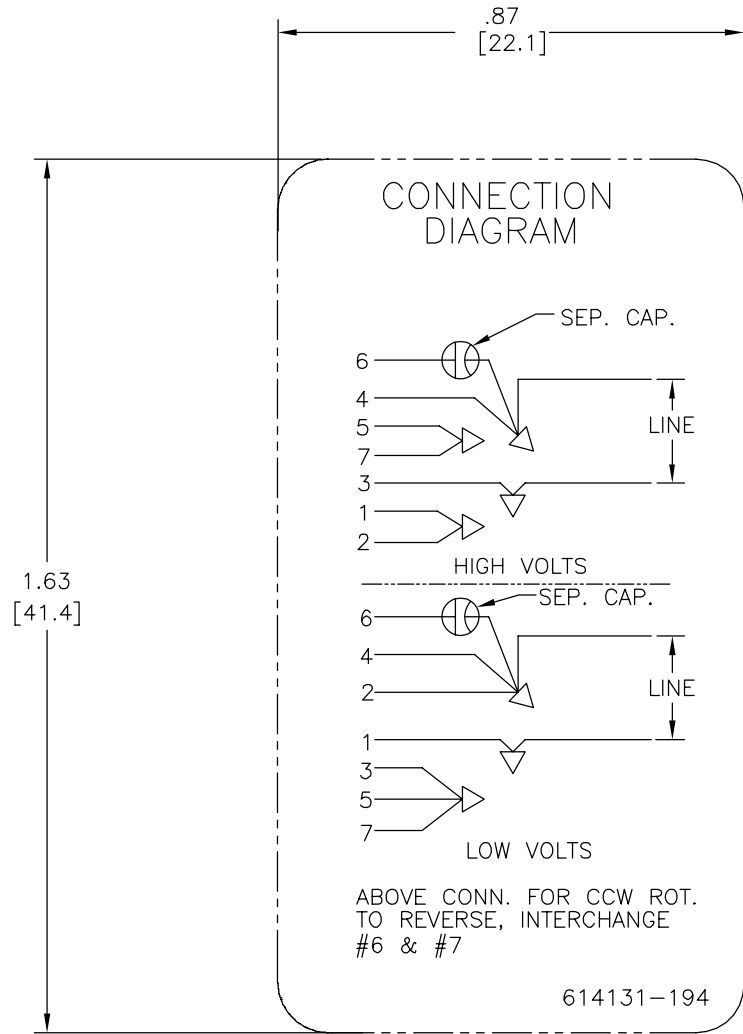
4

3

2

1

|    |             |    |            |    |            |
|----|-------------|----|------------|----|------------|
| 版本 | ECO         | 编制 | 日期         | 批准 | 日期         |
| B  | ECO-0019694 | TH | 03-28-2011 | CZ | 03-28-2011 |



NOTES:

- FOR USE WITH 614129 NAMEPLATE BLANK
- INDICATES DIMENSION LIMITS
- DIE TO BE MADE FROM MASTER SUPPLIED BY A. O. SMITH CORPORATION
- DIE MUST PRODUCE A LEGIBLE IMPRESSION.

|        |
|--------|
| 形位公差   |
| □ 平面度  |
| — 直线度  |
| ∠ 倾斜度  |
| ⊥ 垂直度  |
| // 平行度 |
| ○ 圆度   |
| ⊘ 圆柱度  |
| △ 面轮廓度 |
| ∩ 线轮廓度 |
| ↗ 圆跳动  |
| ⊕ 位置度  |
| ◎ 同轴度  |
| ≡ 对称度  |

除另有注明  
尺寸公差如下:

|         |              |            |       |        |
|---------|--------------|------------|-------|--------|
| 英寸      | X            | XX         | XXX   | XXXX   |
| 毫米      | ±.1          | ±.02       | ±.005 | ±.0005 |
| 角度      | ±.50         | 度          |       |        |
| 清理毛刺和尖棱 | 英寸 .003-.015 | 毫米 0.1-0.4 |       |        |
| 内圆角     | 英寸 .020      | 毫米 0.5     |       |        |
| 表面粗糙度   | 英制 125       | 米制 3.2     |       |        |

米制尺寸显示在[ ]

|   |     |                                 |
|---|-----|---------------------------------|
| 绘图:   | HZ  | 09-08-2009                      |
| 批准:   | Tim | 09-09-2009                      |
| 第三角投影   |     | 图纸格式发布日期 01-21-2007<br>图纸格式版本 F |
| 机密: 本图纸及相关信息所有权归A. O. SMITH公司所有。<br>未经A. O. SMITH公司书面授权, 不得泄露、复制、传播或作<br>其他用途。一版权所有 |     |                                 |
| ASME Y14.5M 1994  |     |                                 |

|    |      |   |            |
|----|------|---|------------|
|    |      | <b>ELECTRICAL PRODUCTS COMPANY</b><br>A DIVISION OF A. O. SMITH CORPORATION |            |
| 名称 |      |   |            |
| 图幅 | C    | 图号  | 614131-194 |
| 比例 | NONE | 页号  | 1          |

4

3

2

1