

4

3

2

1

GENERAL INFORMATION:

SHAFT RUNOUT: .001 [.03] T.I.R. PER INCH LENGTH OF EXTENSION

END PLAY: .010 TO .063 [.25 TO 1.60]

BEARINGS: SLEEVE

MOUNTING POSITION: HORIZONTAL

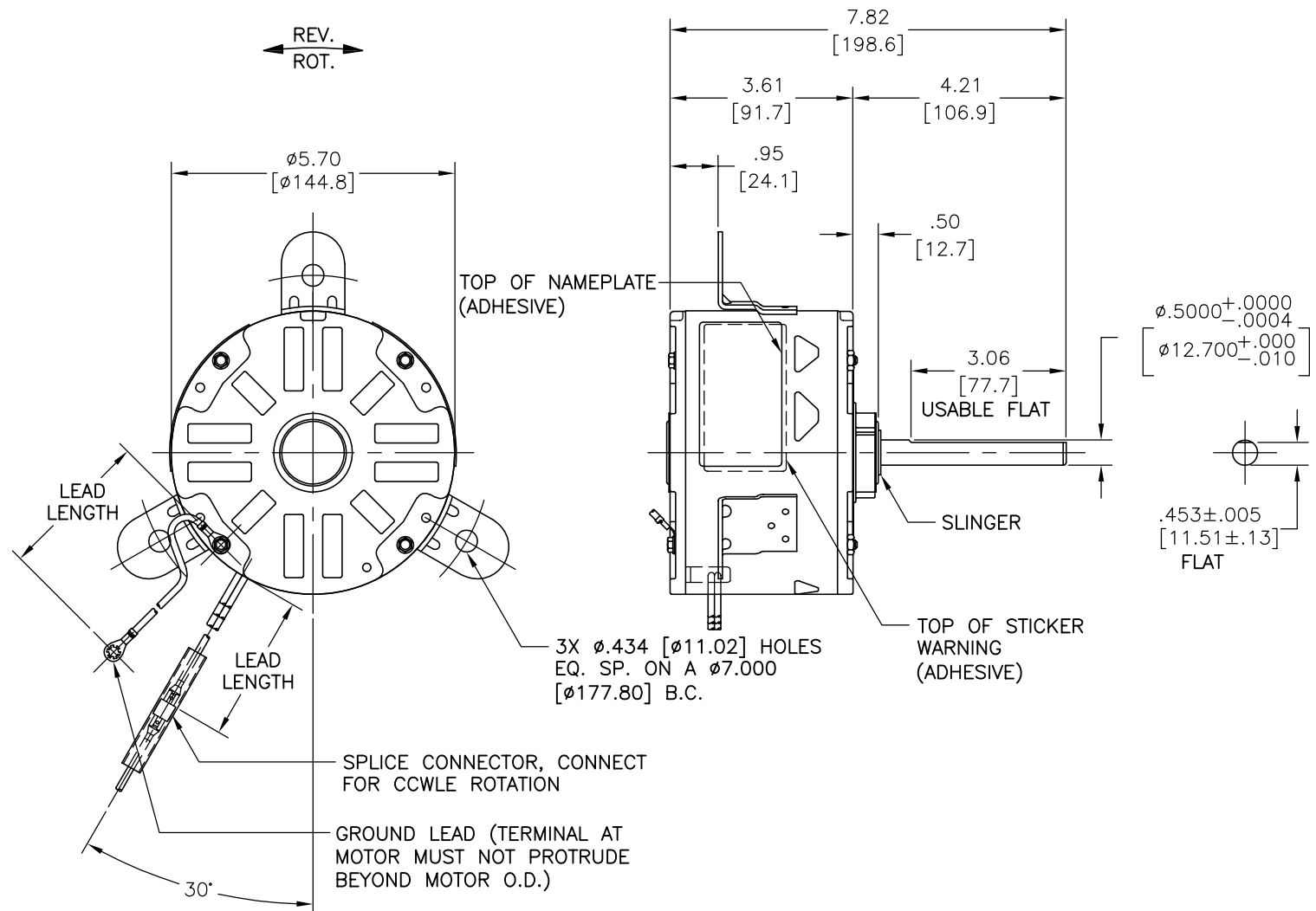
ELECTRICAL DATA:

OVERLOAD PROTECTOR: AUTOMATIC RESET (T.I. 7AM 036)

LEADS: NO. 18 GA., .06 [1.5] THK. EPDM 125°C INSUL.

GROUND LEAD: NO. 18 GA., .03 [.8] THK. (GREEN) INSUL.

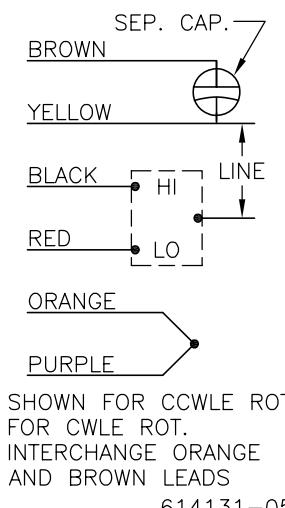
REV	REFERENCE ECN	REFERENCE PROJECT	REV BY	DATE	APPD	DATE
A	03380701	0702292	Jeff	07-23-2007	bblatt	07-11-2007



NAMEPLATE DATA:

EXTERNAL CONNECTION DIAGRAM

MODEL NO.: F48Z74A01  
 CUST. P/N: OCA10206A  
 HP: 1/5  
 ROT.: REVERSIBLE  
 RPM: 1050/2 SPD.  
 TYPE: UF  
 FRAME: 48Y  
 VOLTS: 208-230  
 PH: 1  
 AMPS: 1.3  
 HZ: 60  
 INS.: B  
 AMB.: 60° C  
 DUTY: AIR OVER  
 CAP.: 5 MFD/440 V  
 ENCL.: SEMI-ENCL.  
 UL LOGO  
 CSA LOGO  
 THERMALLY PROTECTED



614131-052

GREEN (GROUND)	52.0/56.0 [1321/1422]	#10 EYELET
BROWN	52.0/56.0 [1321/1422]	.25 [6.4] FEMALE SPADE
YELLOW	52.0/56.0 [1321/1422]	.25 [6.4] FEMALE SPADE
BLACK	52.0/56.0 [1321/1422]	.25 [6.4] FEMALE SPADE
RED	52.0/56.0 [1321/1422]	.25 [6.4] FEMALE SPADE
ORANGE	52.0/56.0 [1321/1422]	.25 [6.4] FEMALE SPADE
PURPLE	52.0/56.0 [1321/1422]	.25 [6.4] FEMALE SPADE
COLOR	LENGTH	TERMINAL OR STRIP LENGTH

MAIN FRAME - OLE	OPEN
END FRAME - OLE	OPEN
MAIN FRAME - LE	ENCLOSED
END FRAME - LE	OPEN

CUSTOMER	DISTRIBUTION SERVICE
----------	----------------------

PERFORMANCE CURVE NO.	TORQUE @ 1050 RPM (25°C)	APPROVED SAMPLE	UL COMPONENT		CSA	
C18882	18.6 OZ. FT.	----	FILE #	CCN #	FILE #	CLASS #
			E46412	PRGY2	LR43341	4211-01

GEOMETRIC CHARACTERISTICS & SYMBOLS

- ▭ FLATNESS
- STRAIGHTNESS
- ∠ ANGULARITY
- ⊥ PERPENDICULARITY (SQUARENESS)
- ∥ PARALLELISM
- ROUNDNESS (CIRCULARITY)
- ⊘ CYLINDRICITY
- △ PROFILE OF ANY SURFACE
- ▽ PROFILE OF ANY LINE
- ↗ RUNOUT
- ⊕ TRUE POSITION
- ◎ CONCENTRICITY
- ≡ SYMMETRY

A.O. SMITH PROVIDES TECHNICAL ASSISTANCE TO OUR CUSTOMERS IN SEVERAL AREAS. SINCE A.O. SMITH DOES NOT RECEIVE ALL DATA CONCERNING THE USE AND APPLICATION OF THE MOTOR, THE SUITABILITY OF THE MOTOR FOR THE APPLICATION MUST BE DETERMINED BY THE CUSTOMER.

DIMENSIONS WITHOUT TOLERANCES ARE FOR REFERENCE ONLY.

DR BY: jrupert 07-11-2007

APPD: bblatt 07-11-2007

THIRD ANGLE PROJECTION

EDS DATE 01-21-2007  
 FORMAT REV E

CONFIDENTIAL: THIS DRAWING AND ITS INFORMATION ARE THE EXCLUSIVE AND CONFIDENTIAL PROPERTY OF A.O. SMITH CORP. AND ARE NOT TO BE DISCLOSED, DUPLICATED, DISTRIBUTED OR OTHERWISE USED WITHOUT THE WRITTEN CONSENT OF A.O. SMITH CORP.

-ALL RIGHTS RESERVED. ASME Y14.5M 1994

**A.O. SMITH**  
 ELECTRICAL PRODUCTS COMPANY  
 TIPP CITY, OHIO

A DIVISION OF A. O. SMITH CORPORATION  
 COPYRIGHT 1995

DESCRIPTION: **OUTLINE**

SIZE C DWG NO F48Z74A01

SCALE NONE SHEET 1

4

3

2

1

4

3

2

1

REVISION:	ECN REFERENCIA:	PROYECTO REFERENCIA:	REVISADO POR:	FECHA:	APROBADO POR:	FECHA:
A	03380701	0702292	Jeff	07-23-2007	bblatt	07-11-2007

**INFORMACION GENERAL:**

OSCILACION DE FLECHA: .001 [.03] T.I.R. PER INCH LENGTH OF EXTENSION

JUEGO AXIAL: .010 A .063 [.25 A 1.60]

BALEROS: CHUMACERA RIGIDA

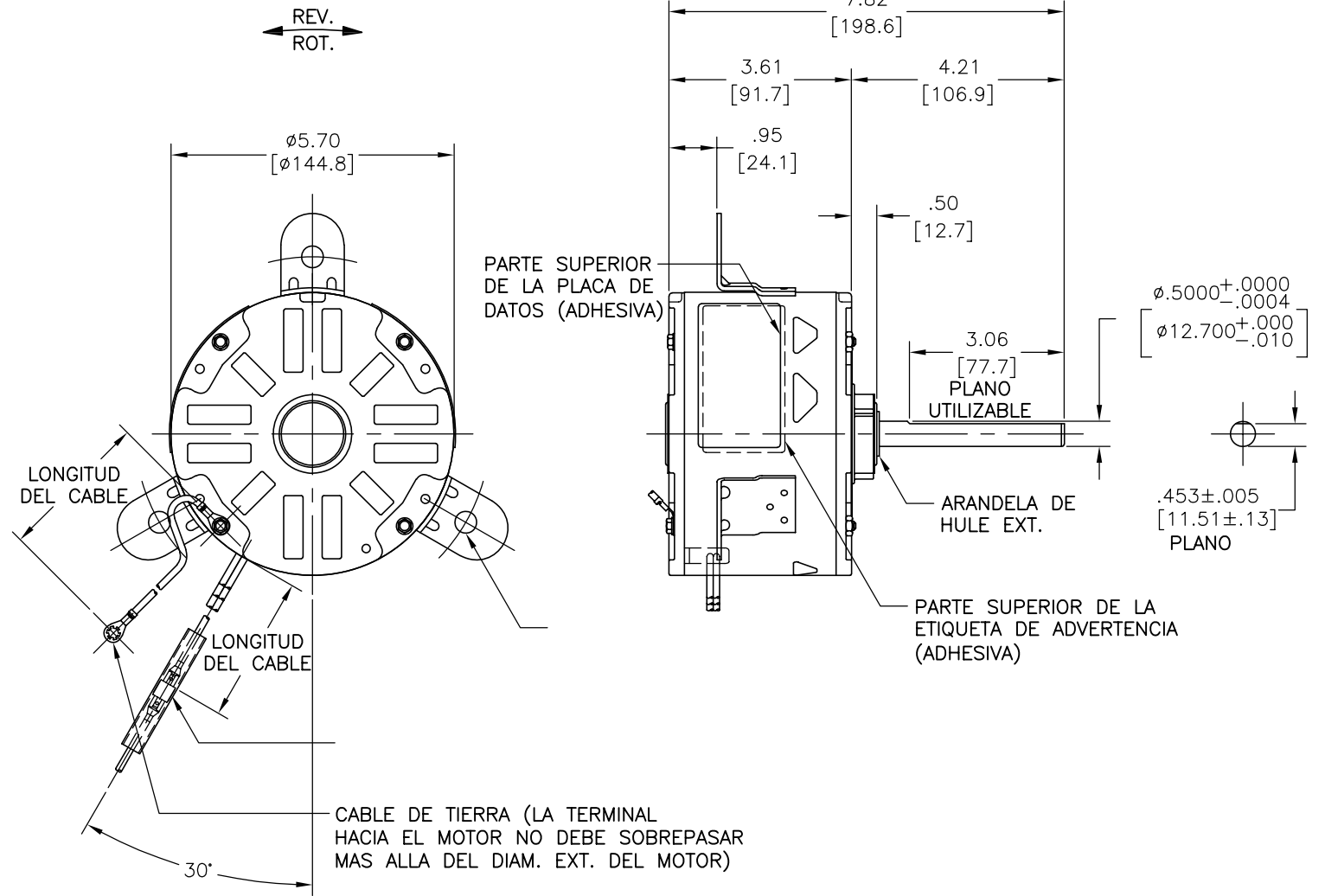
POSICION DEL MONTAJE: HORIZONTAL

**INFORMACION ELECTRICA:**

PROTECTOR DE SOBRECARGA: REINICIO AUTOMATIC (T.I. 7AM 036)

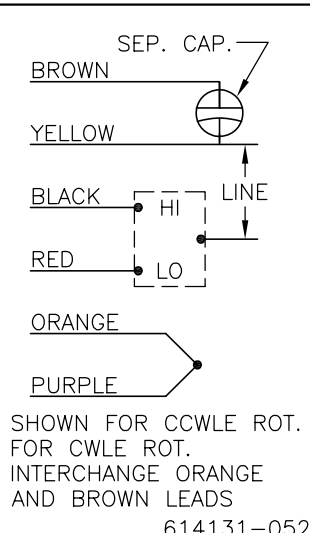
CABLES: NO. 18 GA., .06 [1.5] THK.EPDM 125°C AISLAM.

CABLE DE TIERRA: NO. 18 GA., .03 [.8] THK. (VERDE) AISLAM.



**INFORMACION DE ETIQUETA:      DIAGRAMA DE CONEXION EXTRNA**

MODEL NO.: F48Z74A01  
 CUST. P/N: OCA10206A  
 HP: 1/5  
 ROT.: REVERSIBLE  
 RPM: 1050/2 SPD.  
 TYPE: UF  
 FRAME: 48Y  
 VOLTS: 208-230  
 PH: 1  
 AMPS: 1.3  
 HZ: 60  
 INS.: B  
 AMB.: 60° C  
 DUTY: AIR OVER  
 CAP.: 5 MFD/440 V  
 ENCL.: SEMI-ENCL.  
 UL LOGO  
 CSA LOGO  
 THERMALLY PROTECTED



614131-052

VERDE (TIERRA)	52.0/56.0 [1321/1422]	OJAL #10
CAFE	52.0/56.0 [1321/1422]	.25 [6.4] TERMINAL ESPADE HEMBRA
AMARILLO	52.0/56.0 [1321/1422]	.25 [6.4] TERMINAL ESPADE HEMBRA
NEGRO	52.0/56.0 [1321/1422]	.25 [6.4] TERMINAL ESPADE HEMBRA
ROJO	52.0/56.0 [1321/1422]	.25 [6.4] TERMINAL ESPADE HEMBRA
NARANJA	52.0/56.0 [1321/1422]	.25 [6.4] TERMINAL ESPADE HEMBRA
PURPURA	52.0/56.0 [1321/1422]	.25 [6.4] TERMINAL ESPADE HEMBRA
COLOR	LONGITUD	TERMINAL O LONGITUD DE DESFORRE

CARCASA - LOC	ABIERTO
TAPA - LOC	ABIERTO
CARCASA - LC	ENCERRADO
TAPA - LC	ABIERTO

CLIENTE	DISTRIBUTION SERVICE
---------	----------------------

CURVAS DE FUNCIONAMIENTO	TORSION @ 1050 RPM (25°C)	MUESTRA APROBADA	COMPONENTE UL	CSA
C18882	18.6 OZ. FT.	----	#ARCHIVO CCN #	#ARCHIVO CLASE #
			E46412 PRGY2 LR43341	4211-01

**CARACTERISTICAS DE GEOMETRIA Y SIMBOLOS**  
 ▽ PLANICIDAD  
 — RECTITUD  
 ∠ ANGULARIDAD  
 ⊥ PERPENDICULARIDAD (A ESCUADRA)  
 // PARALELISMO  
 ○ REDONDEZ (CIRCULARIDAD)  
 ∅ CILINDRICIDAD  
 △ PERFIL DE CUALQUIER SUPERFICIE  
 ∩ PERFIL DE CUALQUIER LINEA  
 ↗ VARIACION  
 ⊕ POSICION REAL  
 ⊙ CONCENTRICIDAD  
 = SIMETRIA

A.O. SMITH PROVEE ASISTENCIA TECNICA A NUESTROS CLIENTES EN VARIAS AREAS. DESDE QUE A.O. SMITH NO RECIBE TODOS LOS DATOS EN RELACION AL USO Y A LA APLICACION DEL MOTOR, LA APLICACION ADECUADA DEL MOTOR DEBE SER DETERMINADA POR EL CLIENTE.

DIMENSIONES SIN TOLERANCIA SON DE REFERENCIA SOLAMENTE

DIBUJADO POR: jrupert  
 APROBADO POR: bblatt  
 TERCER ANGULO DE PROYECCION  
 CONFIDENCIAL: ESTE DIBUJO Y SU INFORMACION SON PROPIEDAD DE USO EXCLUSIVO Y CONFIDENCIAL DE A.O.SMITH CORP. Y NO DEBERAN SER REVELADOS, DUPLICADOS, DISTRIBUIDOS O USARSE DE OTRA MANERA SIN EL CONSENTIMIENTO ESCRITO DE A.O. SMITH CORP. -TODOS LOS DERECHOS RESERVADOS. ASME Y14.5M 1994

**A.O. SMITH**  
 ELECTRICAL PRODUCTS COMPANY  
 TIPP CITY, OHIO  
 A DIVISION OF A. O. SMITH CORPORATION  
 COPYRIGHT 1995

DESCRIPCION: **OUTLINE**

TAMAÑO: C      NUMERO DE DIBUJO: F48Z74A01

ESCALA: NONE      HOJA: 1

4

3

2

1

4

3

2

1

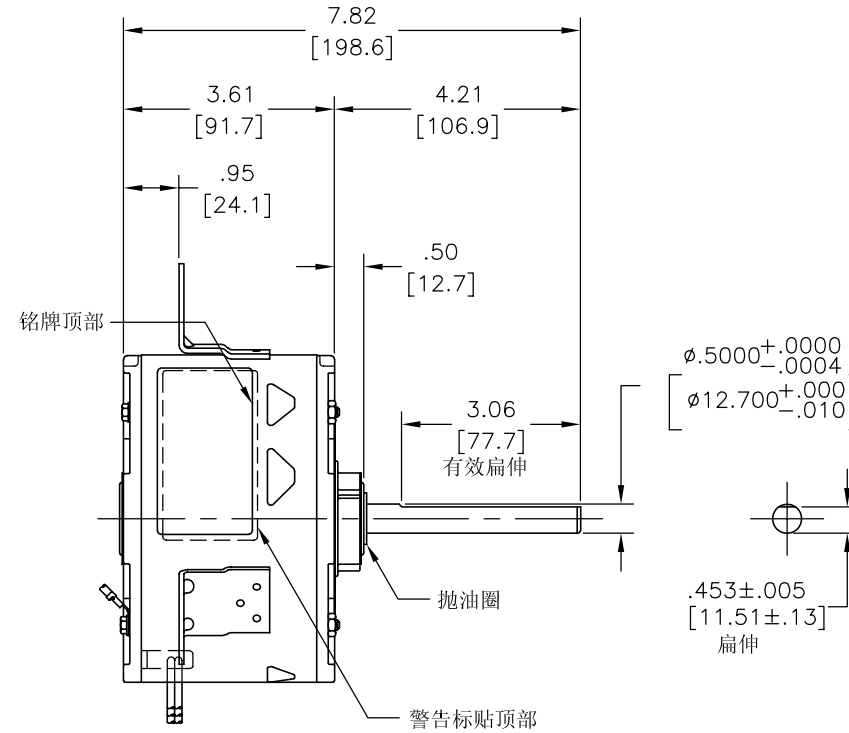
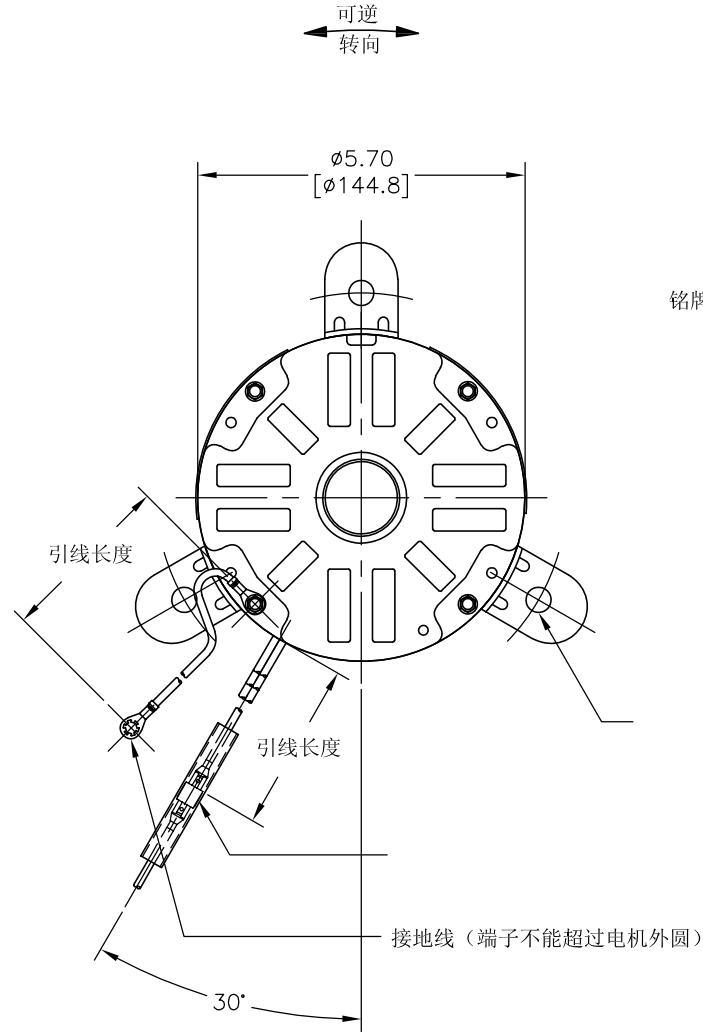
版本	更改通知号	项目号	编制	日期	批准	日期
A	03380701	0702292	Jeff	07-23-2007	bblatt	07-11-2007

总技术要求:

轴跳动: .001[.03]/1[25.4]外伸轴  
 端部窜动量: .010 到 .063 [.25 到 1.60]  
 轴承: 含油轴承  
 安装位置: 水平

电气数据:

过载保护: 自动复位 (T. I. 7AM 036)  
 引线: 18# (美制标准), 厚.06 [1.5] EPDM 125° C 绝缘  
 接地线: 18# (美制标准), 厚.03[0.8]绿色绝缘



绿 (接地线)	52.0/56.0 [1321/1422]	#10 带环线
棕	52.0/56.0 [1321/1422]	.25 [6.4] 母铲形插
黄	52.0/56.0 [1321/1422]	.25 [6.4] 母铲形插
黑	52.0/56.0 [1321/1422]	.25 [6.4] 母铲形插
红	52.0/56.0 [1321/1422]	.25 [6.4] 母铲形插
橙	52.0/56.0 [1321/1422]	.25 [6.4] 母铲形插
紫	52.0/56.0 [1321/1422]	.25 [6.4] 母铲形插
颜色	长度	端子或剥线长度

无引线端机壳	开放
无引线端端盖	开放
有引线端机壳	密封
有引线端端盖	开放
密封性	

用户	DISTRIBUTION SERVICE
----	----------------------

铭牌数据	外部数据线
MODEL NO.: F48Z74A01 CUST. P/N: OCA10206A HP: 1/5 ROT.: REVERSIBLE RPM: 1050/2 SPD. TYPE: UF FRAME: 48Y VOLTS: 208-230 PH: 1 AMPS: 1.3 HZ: 60 INS.: B AMB.: 60° C DUTY: AIR OVER CAP.: 5 MFD/440 V ENCL.: SEMI-ENCL. UL LOGO CSA LOGO THERMALLY PROTECTED	
614131-052	

性能曲线编号	转矩在 @ 1050 RPM (25° C)	批准样品	UL部件		CSA	
			文件号	指南	文件号	指南
C18882	18.6 OZ. FT.	----	E46412	PRGY2	LR43341	4211-01

- 形位公差
- 平面度
- 直线度
- ∠ 倾斜度
- ⊥ 垂直度
- ∥ 平行度
- 圆度
- ⊘ 圆柱度
- ⊖ 面轮廓度
- ⊖ 线轮廓度
- ↗ 圆跳动
- ⊕ 位置度
- ⊙ 同轴度
- ≡ 对称度

A. O. SMITH在个别领域为客户  
 提供技术支持。鉴于A. O. SMITH  
 未收到任何涉及电机使用和  
 应用环境的数据, 电机的适用性  
 由客户自己决定。

未注公差尺寸仅供参考。

绘图:	jrupert	07-11-2007
批准:	bblatt	07-11-2007
第三角投影		图纸格式发布日期 01-21-2007 图纸格式版本 E
机密:	本图纸及相关信息所有权归A. O. SMITH公司所有。 未经A. O. SMITH公司书面授权, 不得泄露、复制、传播或作 其他用途。--版权所有	
ASME Y14.5M 1994		

**A. O. SMITH**  
 ELECTRICAL PRODUCTS COMPANY A DIVISION OF A. O. SMITH CORPORATION  
 TIPP CITY, OHIO COPYRIGHT 1995

名称: **OUTLINE**

图幅: C 图号: **F48Z74A01**

比例: NONE 页号: 1

4

3

2

1