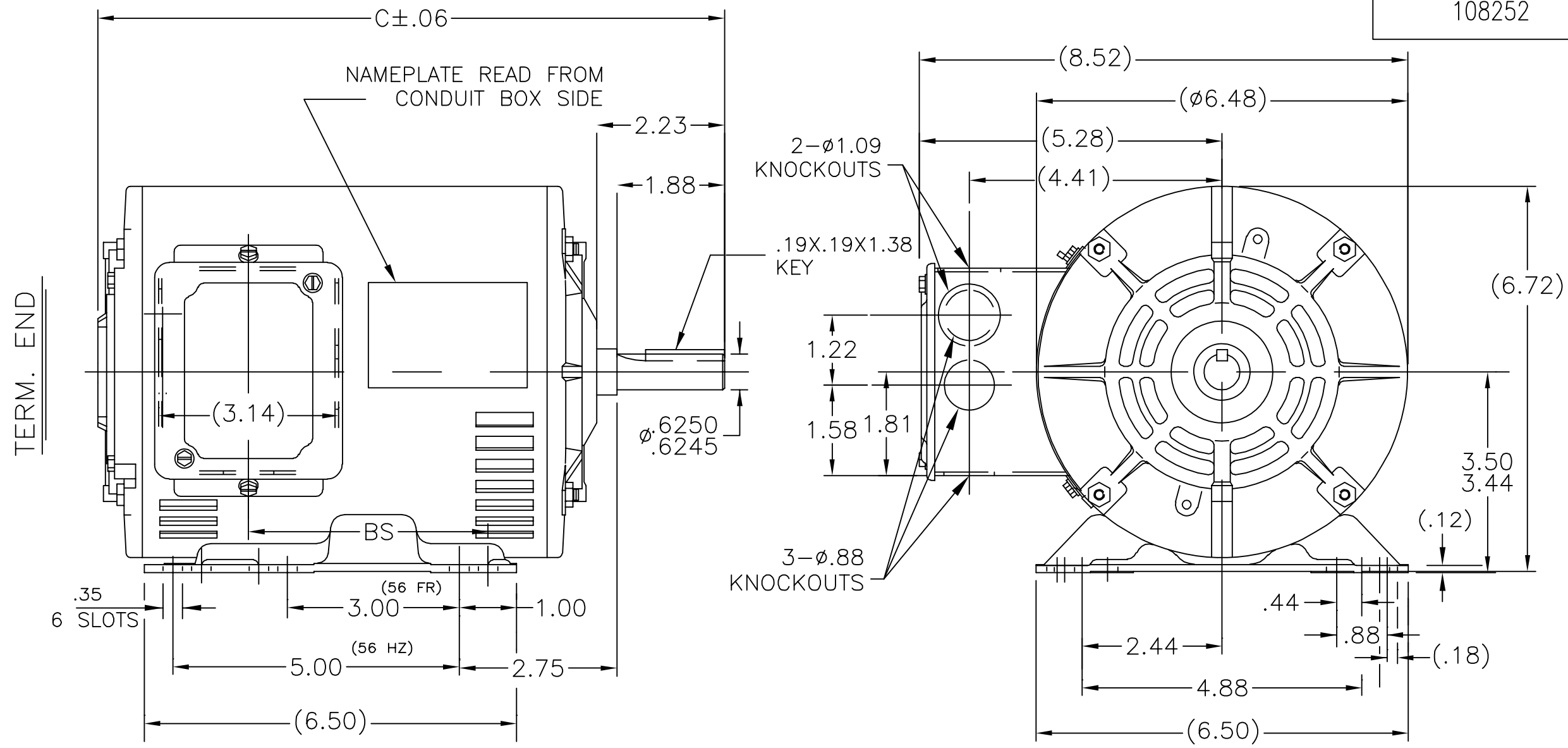


108252



DASH	C	BS
956	13.44	6.25

TOLERANCES UNLESS SPECIFIED	
DEC.	INCHES
.X	$\pm .1$
.XX	$\pm .03$
.XXX	$\pm .005$
.XXXX	$\pm .0005$
ANG	$\pm 7'30''$



DRAWN	PVR 12/26/14
CHK	PI 12/26/14
APPD	
SCALE	3=8
REF	
FMF	
PREV	

TITLE OUTLINE
56 FR. - DR. PP. - BB - 3 ϕ - 56H
MAT'L.
FINISH

NO.	REVISION	BY & DATE	CHK	ANG

RFP	CAD FILE 108252	SIZE	DRAWING NO.	PAGE	OF	REV.
DIST	WP	A	108252			

THIS DRAWING IN DESIGN AND DETAIL IS OUR PROPERTY AND MUST NOT BE USED EXCEPT IN CONNECTION WITH OUR WORK ALL RIGHTS OF DESIGN AND INVENTION ARE RESERVED THIS IS AN ELECTRONICALLY GENERATED DOCUMENT - DO NOT SCALE THIS PRINT