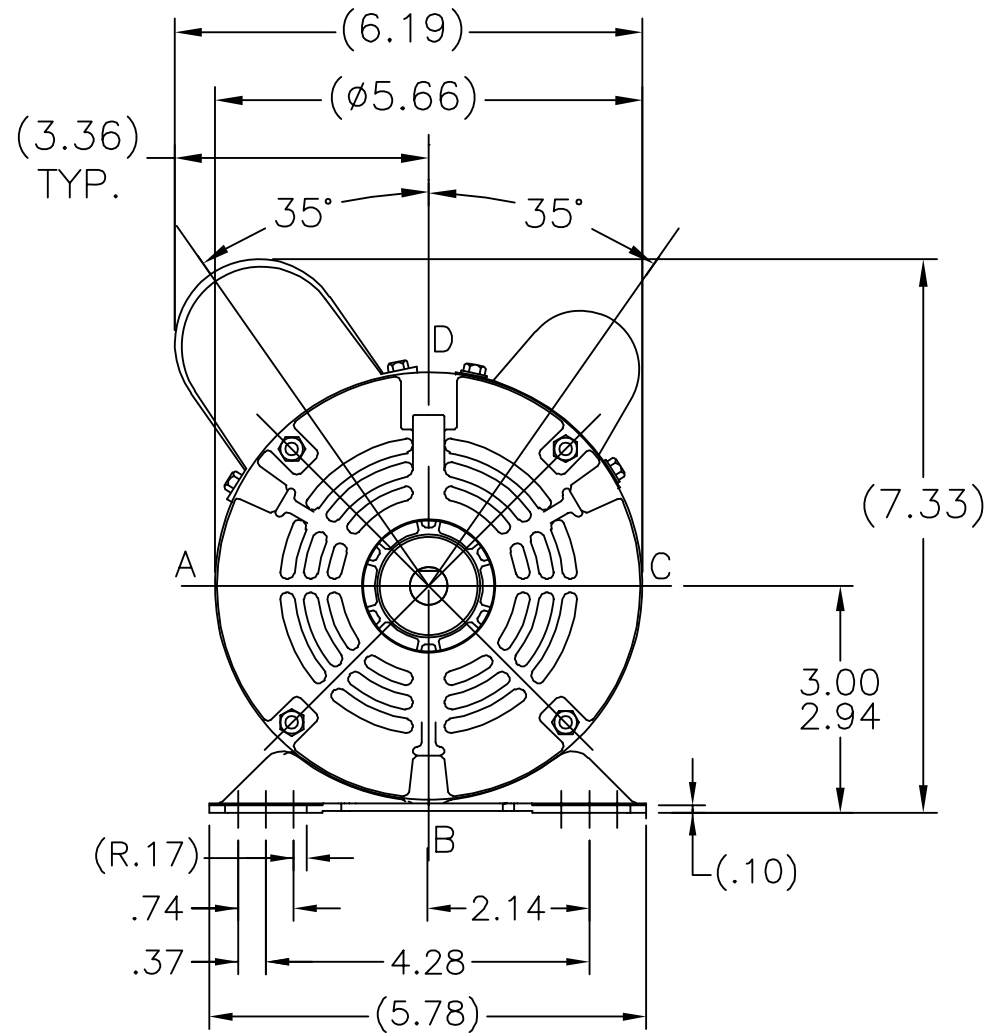
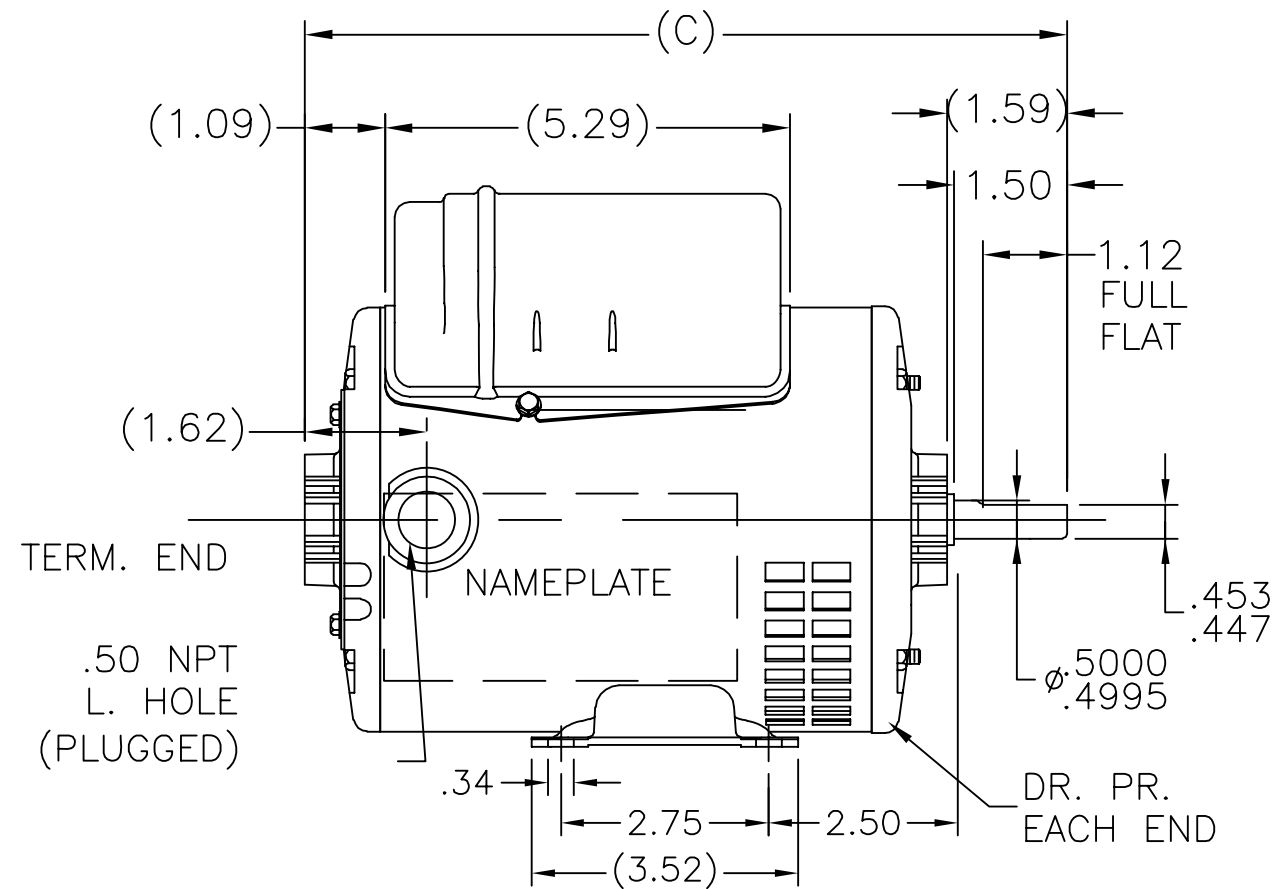



SS404130



DASH	FR	C	DASH	FR	C
625	48	9.84	725	48	10.84
650	48	10.09	750	48	11.09
675	48	10.34	775	48	11.34
700	48	10.59	800	48	11.59

		TOLERANCES UNLESS SPECIFIED		 REGAL-BELOIT CORPORATION	DRAWN PVR 12/23/14				
		DEC.	INCHES		CHK AB 12/23/14				
		.X	\pm .1	TITLE OUTLINE 48 FRAME	APPD				
		.XX	\pm .03		SCALE 1:1				
		.XXX	\pm .005		REF SS404113				
		.XXXX	\pm .0005		FMF OB1024ES				
A	CREATED NEW DRAWING	PVR	12/23/14	AB	.XXXX	\pm .0005	MAT'L.	PREV	
NO.	REVISION	BY & DATE	CHK	ANG	\pm 7'30"	FINISH			
THIS DRAWING IN DESIGN AND DETAIL IS OUR PROPERTY AND MUST NOT BE USED EXCEPT IN CONNECTION WITH OUR WORK ALL RIGHTS OF DESIGN AND INVENTION ARE RESERVED THIS IS AN ELECTRONICALLY GENERATED DOCUMENT - DO NOT SCALE THIS PRINT				RFP	CAD FILE SS404130		SIZE	DRAWING NO. PAGE 1 OF 1 REV.	
				DIST	WP		A	SS404130	A