

4

3

2

1

REV	ECO	REV BY	DATE	APPD	DATE
B	0024331	J.ZHU	03-05-2012	B.SHEN	03-05-2012

GENERAL INFORMATION:

SHAFT RUNOUT: .001[.03] T.I.R. PER INCH LENGTH OF EXTENSION.

END PLAY: .010[.25] TO .063[1.60]

BEARINGS: SLEEVE

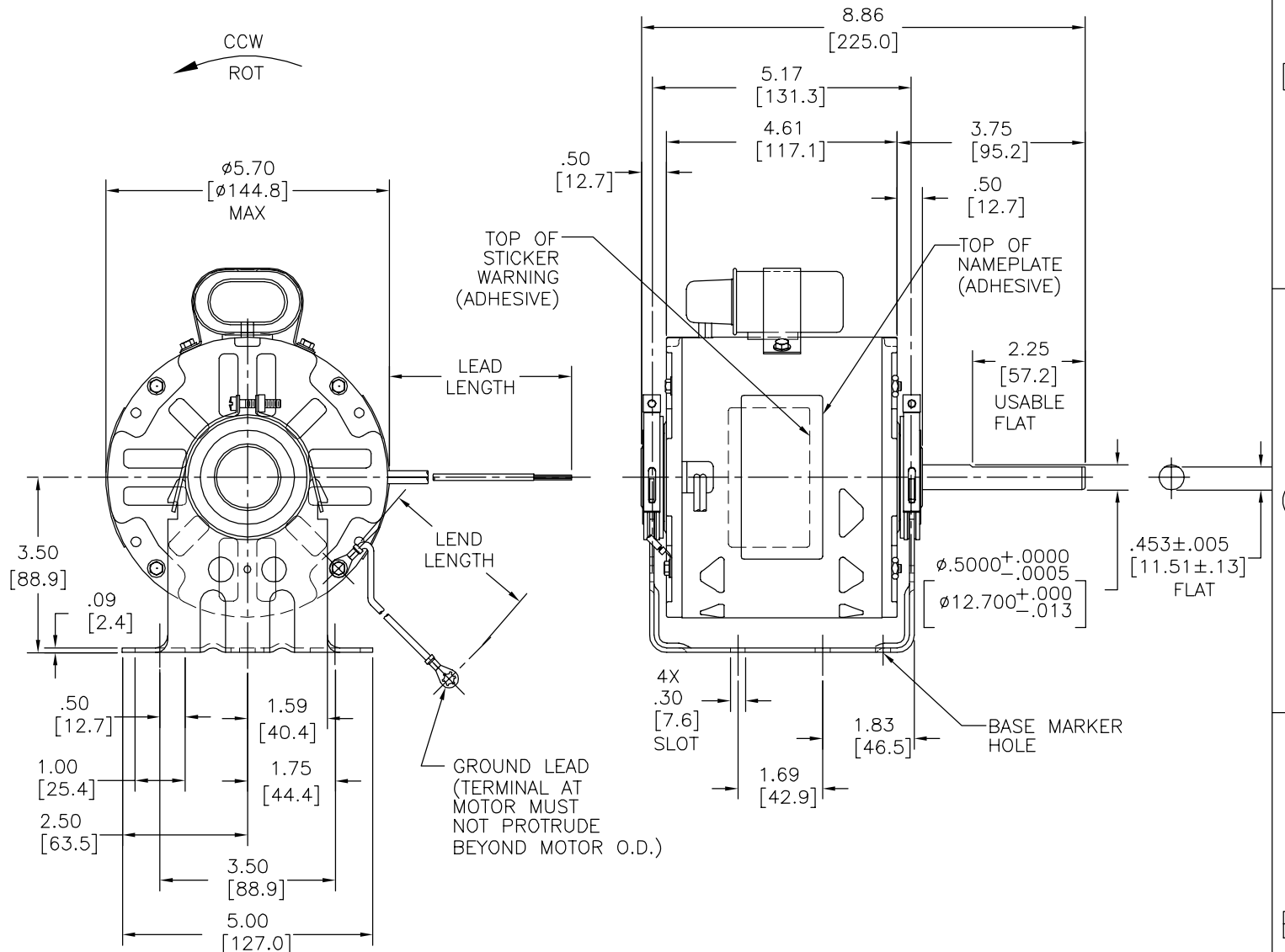
MOUNTING POSITION: HORIZONTAL

ELECTRICAL DATA:

OVERLOAD PROTECTOR: AUTOMATIC RESET (T.I. 7AM 036)

LEADS: NO. 18 GA., .06[1.5] THK. PVC 105°C INSUL.

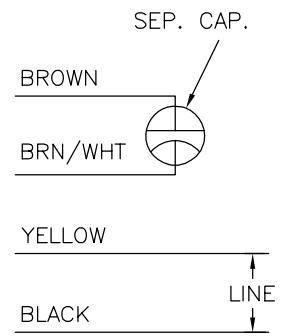
GROUND LEAD: NO. 18 GA., .03[.8] THK., (GREEN/YELLOW) INSUL.



NAMEPLATE DATA:

EXTERNAL CONNECTION DIAGRAM

MODEL NO.: F48V52A01
 CUST. P/N: OAS40056
 HP: 1/3
 ROT.: CCWLE
 RPM: 1075
 TYPE: UF
 FRAME: 48Y
 VOLTS: 230
 PH: 1
 AMPS: 3.4
 HZ: 60
 INS.: B
 AMB.: 40° C
 DUTY: AIR OVER
 CAP.: 5 MFD/370 V
 ENCL: SEMI-ENCL .
 UL LOGO
 CSA LOGO
 THERMALLY PROTECTED



614131-120

GREEN/YELLOW (GROUND)	11.0/13.0 [279/330]	#10 EYELET
BROWN	CONNECTED TO CAPACITOR	.25[6.4] FLAG
BROWN/WHITE	CONNECTED TO CAPACITOR	.25[6.4] FLAG
YELLOW	11.0/13.0 [279/330]	.50[12.7] SKIN
BLACK	11.0/13.0 [279/330]	.50[12.7] SKIN
COLOR	LENGTH	TERMINAL OR STRIP LENGTH

MAIN FRAME - OLE	SEMI-ENCL.
END FRAME - OLE	OPEN
MAIN FRAME - LE	SEMI-ENCL.
END FRAME - LE	OPEN

CUSTOMER	DISTRIBUTION SERVICE
----------	----------------------

PERFORMANCE CURVE NO.	TORQUE @ 1075 RPM (25°C)	APPROVED SAMPLE	UL COMPONENT	CSA
C32383	41.2 OZ. FT.	0443192A	FILE # CCN # FILE # CLASS #	
			E46412 PRGY2 LR43341 4211-01	

GEOMETRIC CHARACTERISTICS & SYMBOLS
 □ FLATNESS
 — STRAIGHTNESS
 ∠ ANGULARITY
 ⊥ PERPENDICULARITY (SQUARENESS)
 ∥ PARALLELISM
 ○ ROUNDNESS (CIRCULARITY)
 ∅ CYLINDRICITY
 △ PROFILE OF ANY SURFACE
 ∩ PROFILE OF ANY LINE
 ↗ RUNOUT
 ⊕ TRUE POSITION
 ⊙ CONCENTRICITY
 = SYMMETRY
 ASME Y14.5M 1994

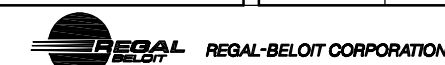
REGAL-BELOIT CORPORATION (RBC) PROVIDES TECHNICAL ASSISTANCE TO OUR CUSTOMERS IN SEVERAL AREAS. SINCE RBC DOES NOT RECEIVE ALL DATA CONCERNING THE USE AND APPLICATION OF THE MOTOR, THE SUITABILITY OF THE MOTOR FOR THE APPLICATION MUST BE DETERMINED BY THE CUSTOMER.

DIMENSIONS WITHOUT TOLERANCES ARE FOR REFERENCE ONLY.

DR BY: J.ZHU 03-05-2012
 APPD: B.SHEN 03-05-2012
 EDS DATE 11-11-2011
 FORMAT REV G

THIRD ANGLE PROJECTION

CONFIDENTIAL: THIS DRAWING AND ITS INFORMATION ARE THE EXCLUSIVE AND CONFIDENTIAL PROPERTY OF REGAL-BELOIT CORPORATION AND ARE NOT TO BE DISCLOSED, DUPLICATED, DISTRIBUTED OR OTHERWISE USED WITHOUT THE WRITTEN CONSENT OF REGAL-BELOIT CORPORATION. -ALL RIGHTS RESERVED.



DESCRIPTION: MODEL-RFHP-48FR OUTLINE

SIZE: C DWG NO: OAS40056

SCALE: NONE SHEET: 1

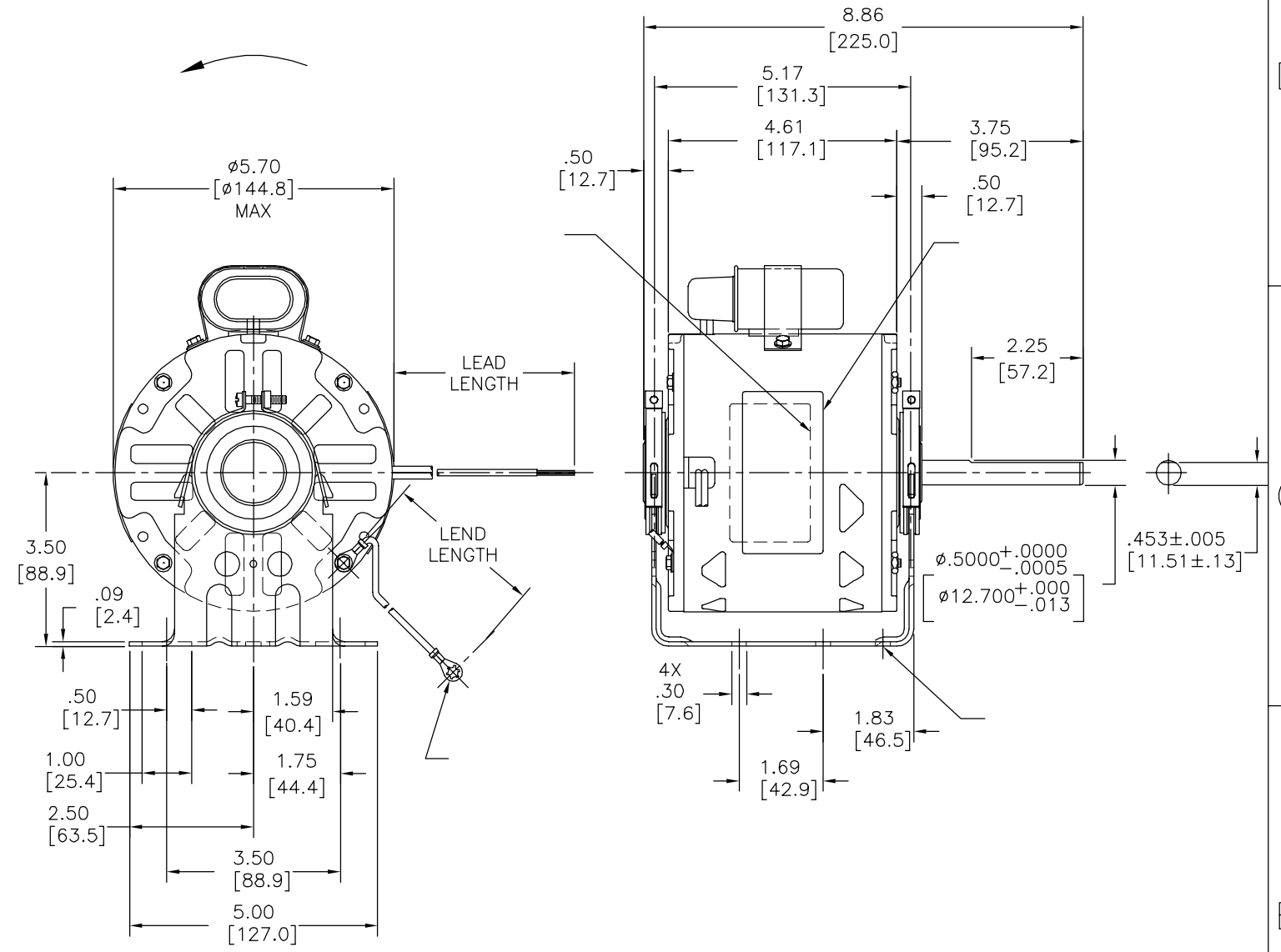
4

3

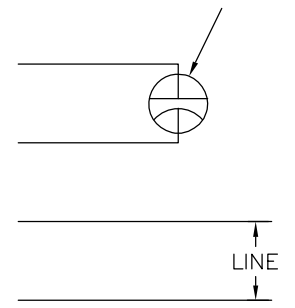
2

1

REVISION:	ECO	REVISADO POR:	FECHA:	APROBADO POR:	FECHA:
B	0024331	J.ZHU	03-05-2012	B.SHEN	03-05-2012



MODEL NO.: F48V52A01
 CUST. P/N: OAS40056
 HP: 1/3
 ROT.: CCWLE
 RPM: 1075
 TYPE: UF
 FRAME: 48Y
 VOLTS: 230
 PH: 1
 AMPS: 3.4
 HZ: 60
 INS.: B
 AMB.: 40° C
 DUTY: AIR OVER
 CAP.: 5 MFD/370 V
 ENCL: SEMI-ENCL .
 UL LOGO
 CSA LOGO
 THERMALLY PROTECTED



614131-120

C32383	41.2	OZ. FT.	0443192A	E46412	PRGY2	LR43341	4211-01
--------	------	---------	----------	--------	-------	---------	---------

DISTRIBUTION SERVICE

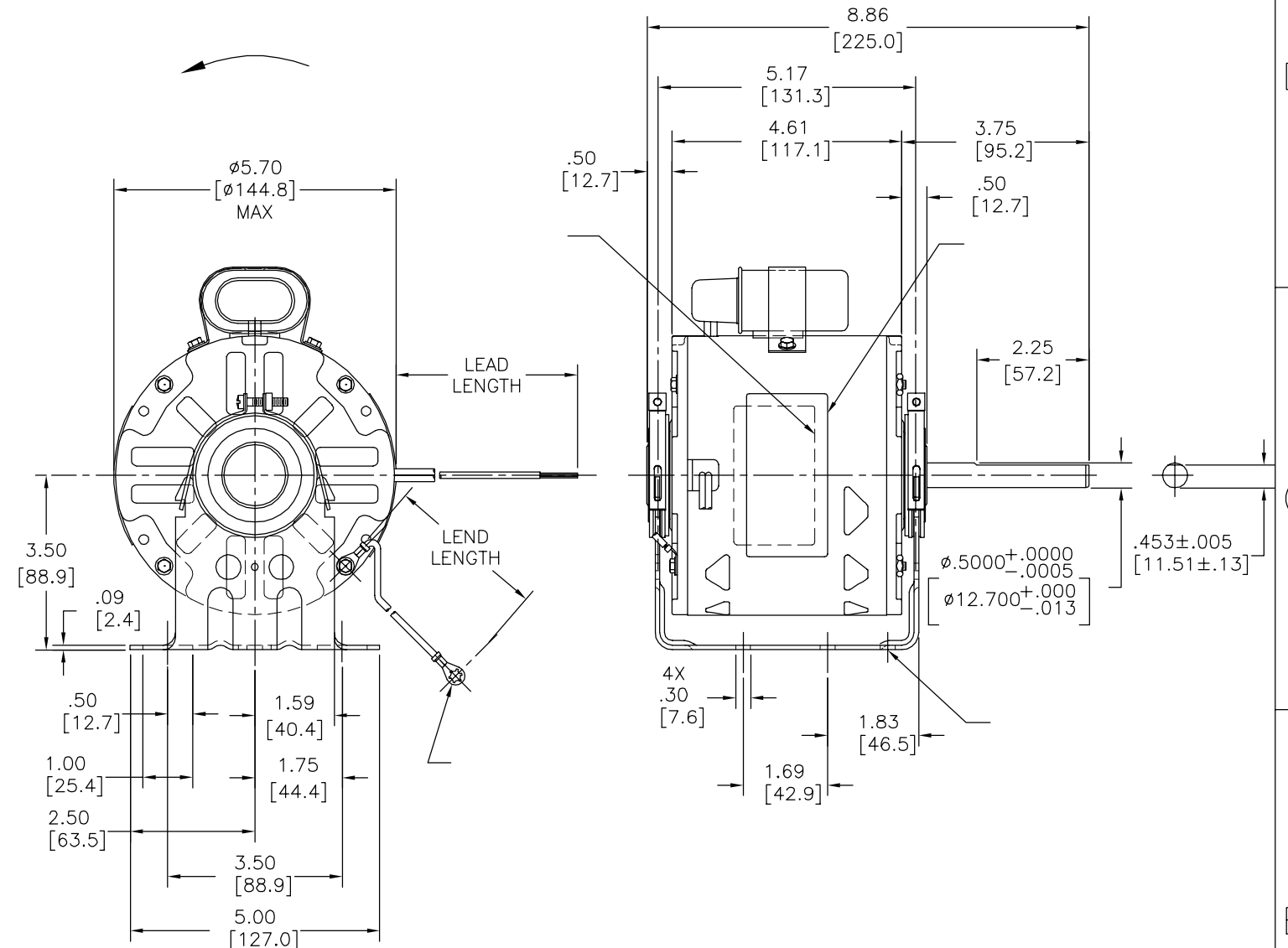
CARACTERISTICAS DE GEOMETRIA Y SIMBOLOS
 ▧ PLANICIDAD
 - RECTITUD
 < ANGULARIDAD
 ⊥ PERPENDICULARIDAD (A ESCUADRA)
 // PARALELISMO
 ○ REDONDEZ (CIRCULARIDAD)
 ∅ CILINDRICIDAD
 △ PERFIL DE CUALQUIER SUPERFICIE
 ∩ PERFIL DE CUALQUIER LINEA
 ↗ VARIACION
 ⊕ POSICION REAL
 ⊙ CONCENTRICIDAD
 = SIMETRIA
 ASME Y14.5M 1994

REGAL-BELOIT CORPORATION (RBC)
 PROVEE ASISTENCIA TECNICA A
 NUESTROS CLIENTES EN VARIAS AREAS.
 DESDE QUE RBC NO RECIBE TODOS
 LOS DATOS EN RELACION AL USO Y A
 LA APLICACION DEL MOTOR, LA
 APLICACION ADECUADA DEL MOTOR
 DEBE SER DETERMINADA POR EL
 CLIENTE.
 DIMENSIONES SIN TOLERANCIA SON
 DE REFERENCIA SOLAMENTE

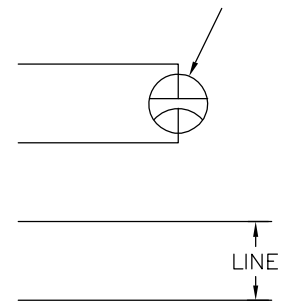
DIBUJADO POR:
 J.ZHU
 03-05-2012
 APROBADO POR:
 B.SHEN
 03-05-2012
 TERCER ANGULO
 DE PROYECCION
 CONFIDENCIAL: ESTE DIBUJO Y SU INFORMACION
 SON PROPIEDAD DE USO EXCLUSIVO Y CONFIDENCIAL DE
 REGAL-BELOIT CORPORATION. Y NO DEBERAN SER REVELADOS,
 DUPLICADOS, DISTRIBUIDOS O USARSE DE OTRA MANERA
 SIN EL CONSENTIMIENTO ESCRITO DE REGAL-BELOIT
 CORPORATION. -TODOS LOS DERECHOS RESERVADOS.

REGAL-BELOIT CORPORATION
 DESCRIPCION:
 MODEL-RFHP-48FR
 OUTLINE
 TAMAÑO: C NUMERO DE DIBUJO:
 OAS40056
 ESCALA:NONE HOJA: 1

版本	ECO	编制	日期	批准	日期
B	0024331	J.ZHU	03-05-2012	B.SHEN	03-05-2012



MODEL NO.: F48V52A01
 CUST. P/N: OAS40056
 HP: 1/3
 ROT.: CCWLE
 RPM: 1075
 TYPE: UF
 FRAME: 48Y
 VOLTS: 230
 PH: 1
 AMPS: 3.4
 HZ: 60
 INS.: B
 AMB.: 40° C
 DUTY: AIR OVER
 CAP.: 5 MFD/370 V
 ENCL: SEMI-ENCL .
 UL LOGO
 CSA LOGO
 THERMALLY PROTECTED



614131-120

DISTRIBUTION SERVICE

- 形位公差
- 平面度
- 直线度
- ∠ 倾斜度
- ⊥ 垂直度
- // 平行度
- 圆度
- ⊘ 圆柱度
- ⊖ 面轮廓度
- △ 线轮廓度
- ↗ 圆跳动
- ⊕ 位置度
- ⊙ 同轴度
- ≡ 对称度

ASME Y14.5M 1994

REGAL-BELOIT CORPORATION (RBC) 在个别领域为客户提供技术支持。鉴于RBC未收到任何涉及电机使用和应用环境的数据，电机的适用性由客户自己决定。

未注公差尺寸仅供参考。

绘图: J.ZHU 03-05-2012
 批准: B.SHEN 03-05-2012
 第三角投影
 机密: 本图纸及相关信息所有权归REGAL-BELOIT CORPORATION。未经REGAL-BELOIT CORPORATION书面授权, 不得泄露、复制或作其他用途。—版权所有

REGAL-BELOIT CORPORATION

名称: MODEL-RFHP-48FR OUTLINE
 图幅: C 图号: OAS40056
 比例: NONE 页号: 1