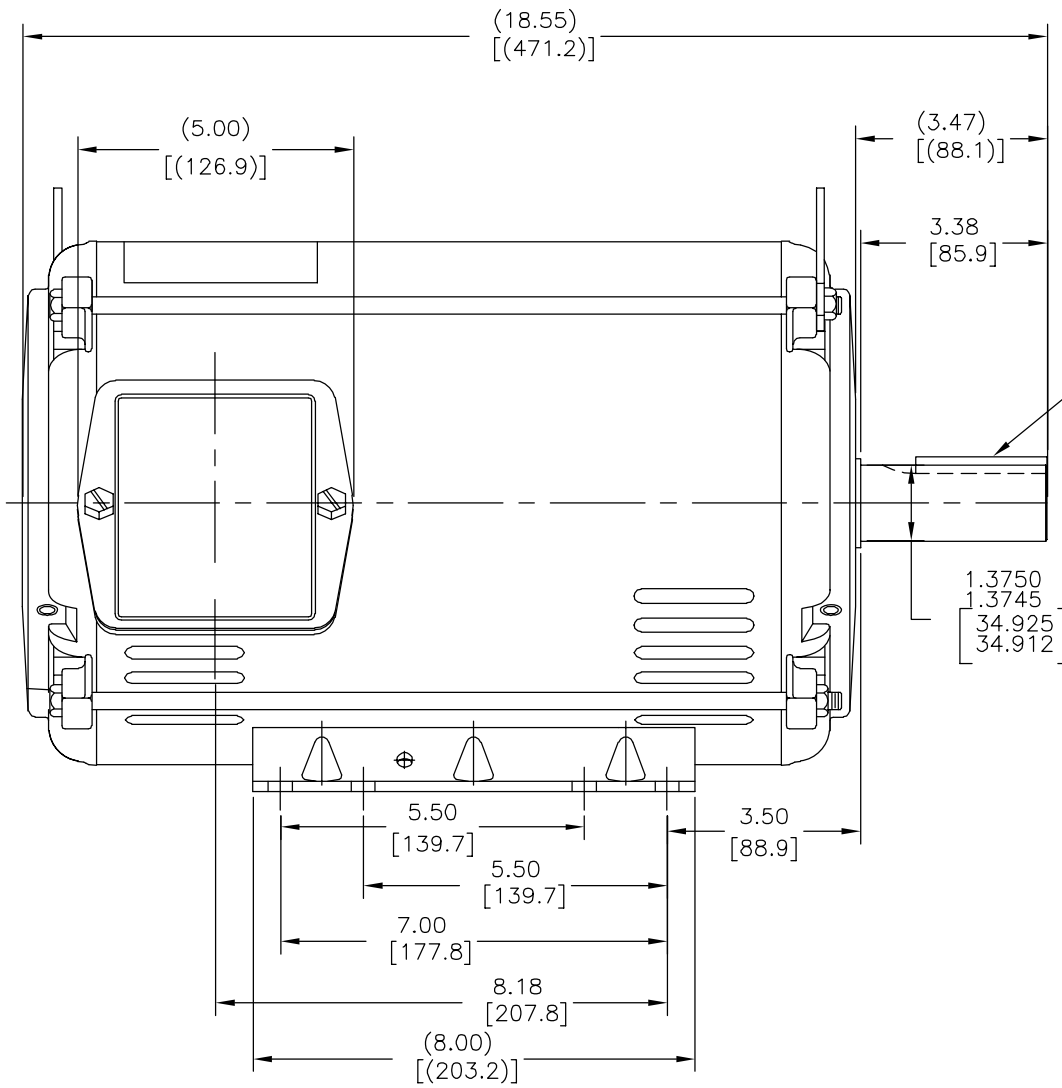


REV	ECO	REV BY	DATE	APPD	DATE
A	0035621	M.AVILA	07-24-2013	J.ORTEGA	07-24-2013



.31[7.9]X.31[7.9]X
2.38[60.5]KEY

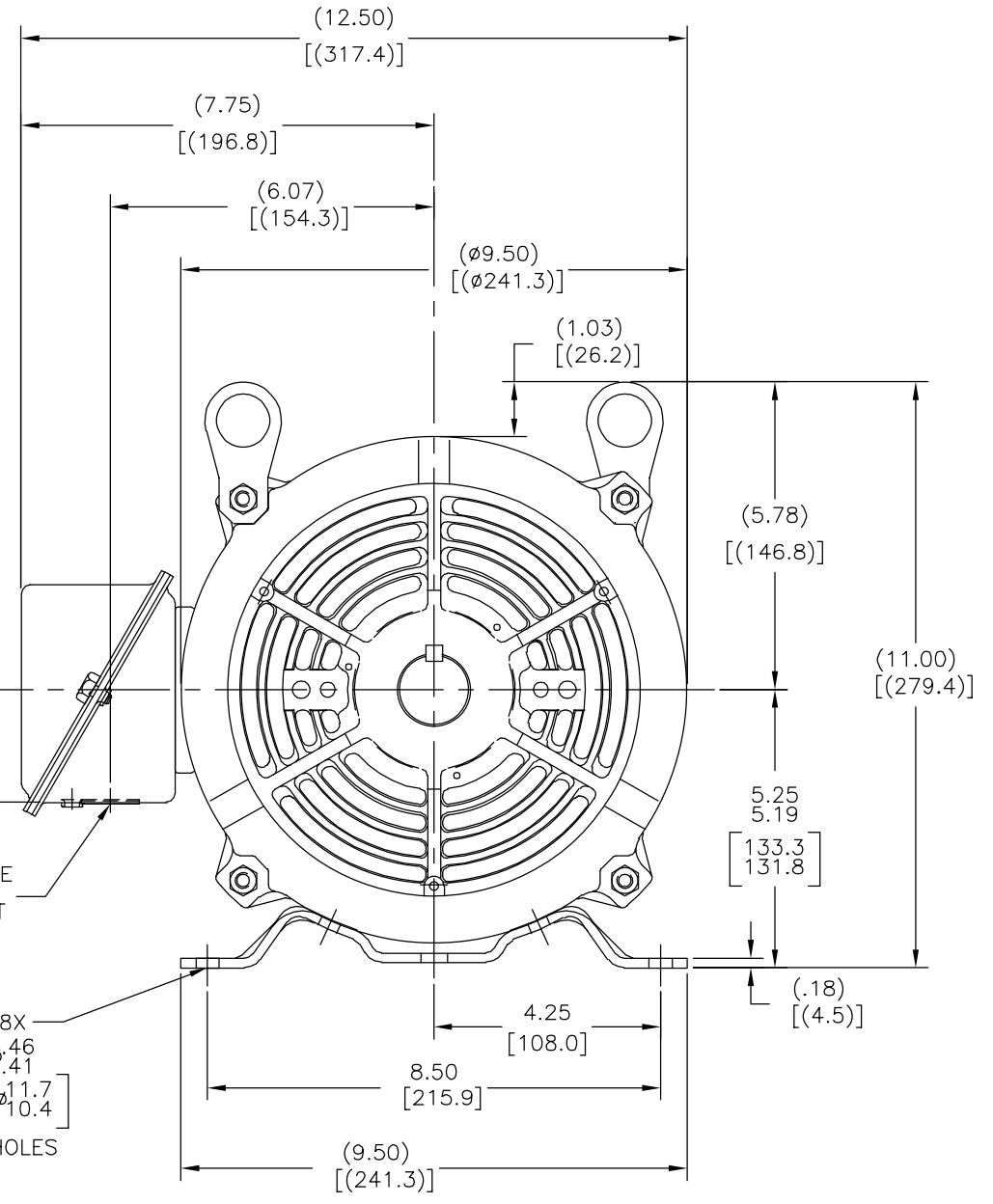
2.12
[53.7]

ø1.09[ø27.7]LEAD HOLE
ø1.34[ø34.0]KNOCKOUT

8X
ø.46
ø.41
[ø11.7
ø10.4]
HOLES

NOTES:

1. NAMEPLATE TO BE READ FROM C'BOX SIDE OF MOTOR.
2. BOX CAN BE MOUNTED IN 90° STEPS.
3. BOX CAN MOUNTED ON OPPOSITE SIDE BY REMOVING BRACKETS AND TURNING FRAME 180° (EXCEPT AS NOTED)



GEOMETRIC CHARACTERISTICS & SYMBOLS

- ▮ FLATNESS
- STRAIGHTNESS
- ∠ ANGULARITY
- ⊥ PERPENDICULARITY (SQUARENESS)
- // PARALLELISM
- ROUNDNESS (CIRCULARITY)
- ⊘ CYLINDRICITY
- △ PROFILE OF ANY SURFACE
- ∩ PROFILE OF ANY LINE
- ↯ RUNOUT
- ⊕ TRUE POSITION
- ◎ CONCENTRICITY
- ≡ SYMMETRY

ASME Y14.5M 1994

UNLESS OTHERWISE SPECIFIED
DIM. TOLERANCES ARE AS FOLLOWS:

INCH X XX XXX XXXX
mm ±0.5 ±0.13 ±0.013

ANG. ±.50 DEG
REMOVE BURRS & BREAK SHARP EDGES:
INCH .003-.015 mm 0.1-0.4

CORNER FILLETS TO:
INCH .020 mm 0.5

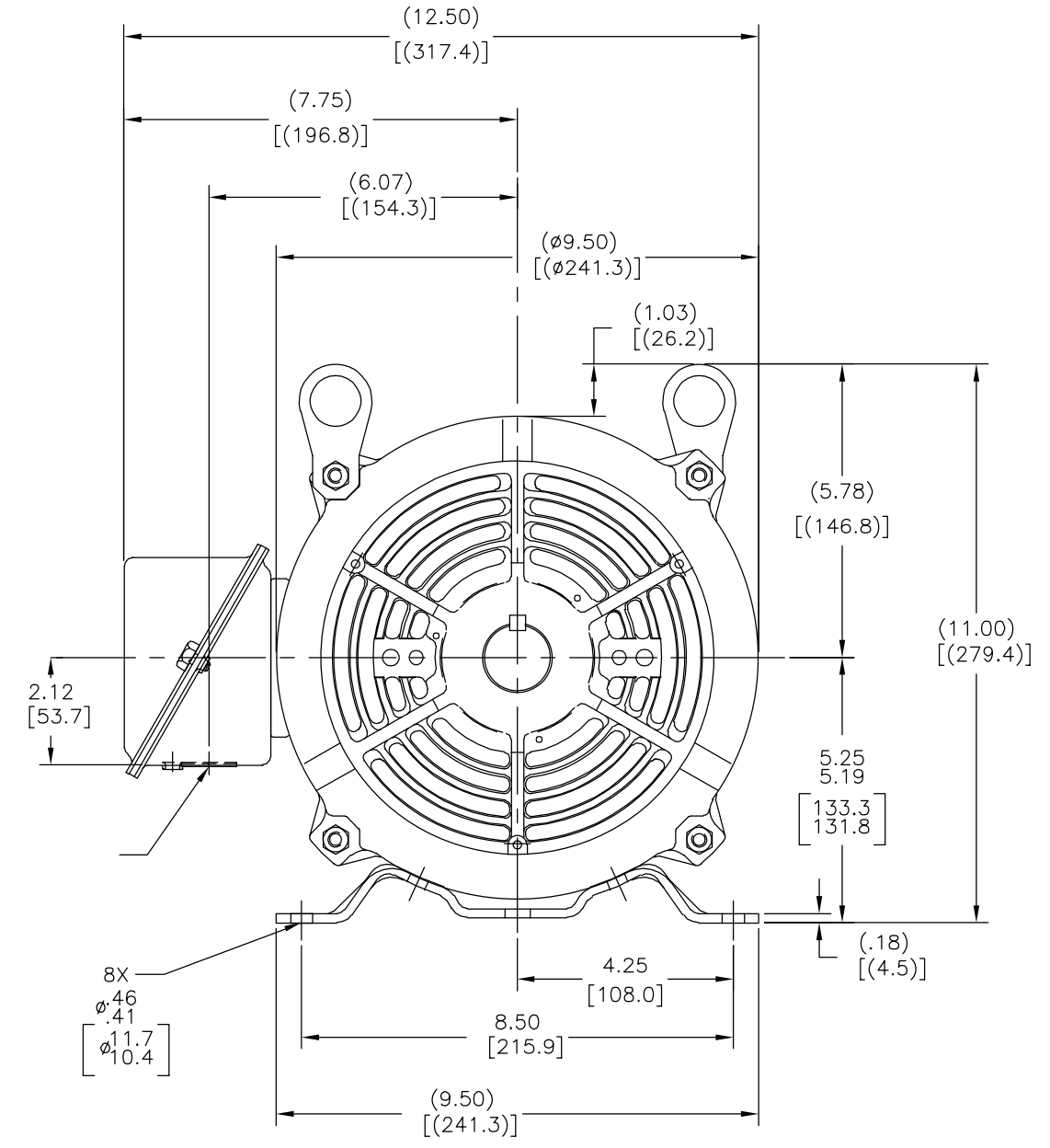
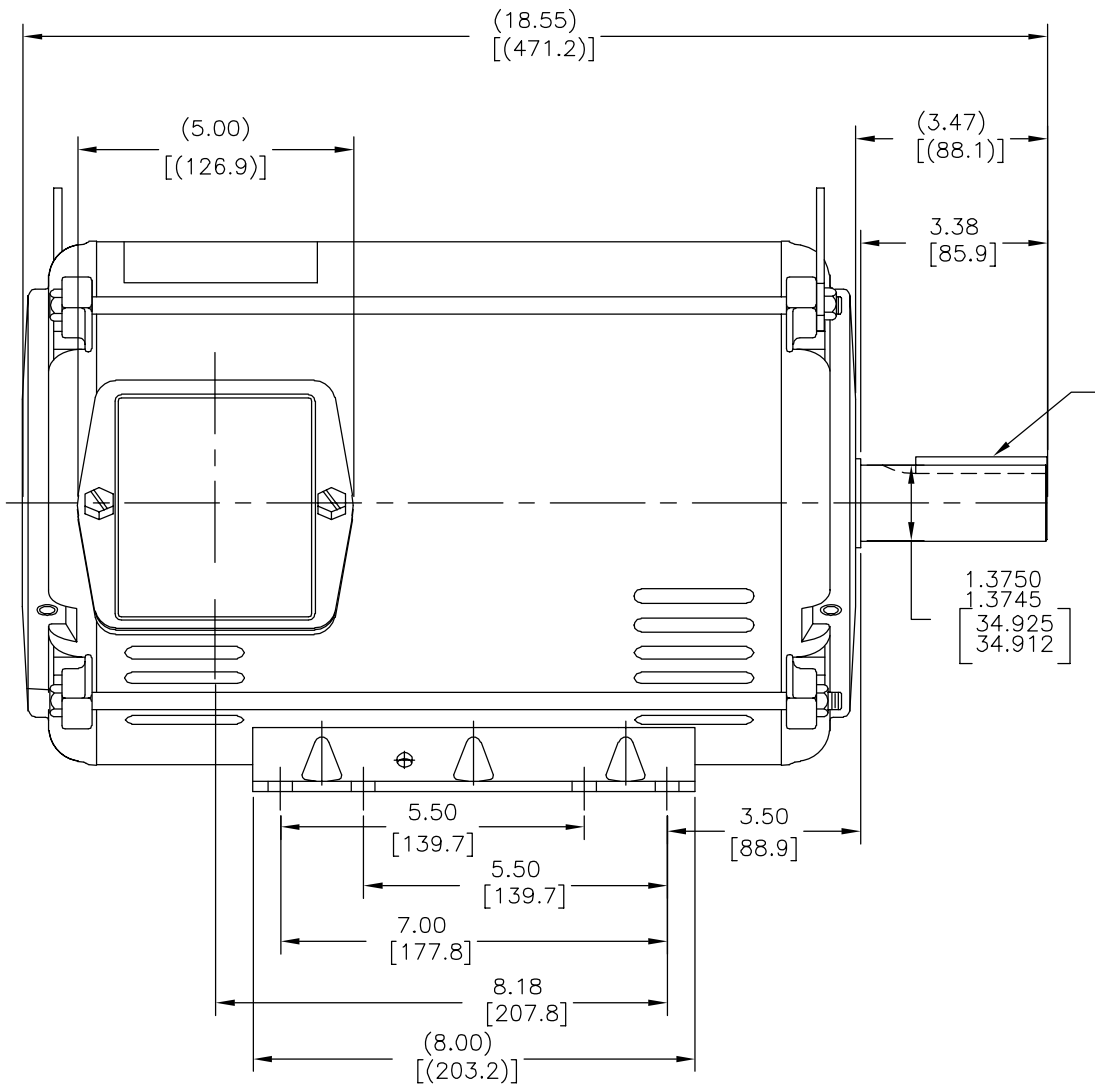
MACHINE SURFACES:
INCH 125 mm 3.2

METRIC DIMS. SHOWN IN [BRACKETS]

DR BY:	M.AVILA	07-24-2013
APPD:	D.JAMORA	07-24-2013
THIRD ANGLE PROJECTION	EDS DATE 11-11-2011	FORMAT REV H
CONFIDENTIAL: THIS DRAWING AND ITS INFORMATION ARE THE EXCLUSIVE AND CONFIDENTIAL PROPERTY OF REGAL-BELOIT CORPORATION AND ARE NOT TO BE DISCLOSED, DUPLICATED, DISTRIBUTED OR OTHERWISE USED WITHOUT THE WRITTEN CONSENT OF REGAL-BELOIT CORPORATION. -ALL RIGHTS RESERVED.		

REGAL REGAL-BELOIT CORPORATION	
DESCRIPTION OUTLINE	
SIZE C	DWG NO SS86500CY-1240
SCALE NONE	SHEET 1

A	0035621	M.AVILA	07-24-2013	J.ORTEGA	07-24-2013
---	---------	---------	------------	----------	------------



	ASME Y14.5M 1994
--	------------------

M.AVILA	07-24-2013
D.JAMORA	07-24-2013
11-11-2011	
H	

REGAL REGAL-BELOIT CORPORATION	
OUTLINE	
C	SS86500CY-1240
NONE	1

4

3

2

1

4

3

2

1

D

D

C

C

B

B

A

A