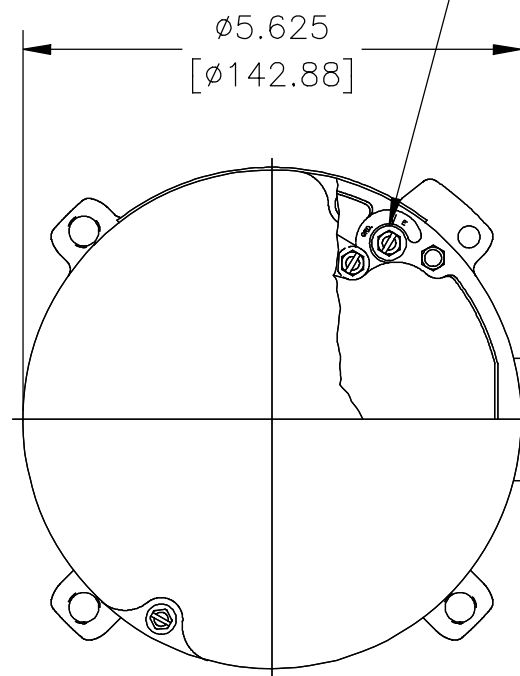


#10-32 GROUND SCREW  
(BINDING HEAD)

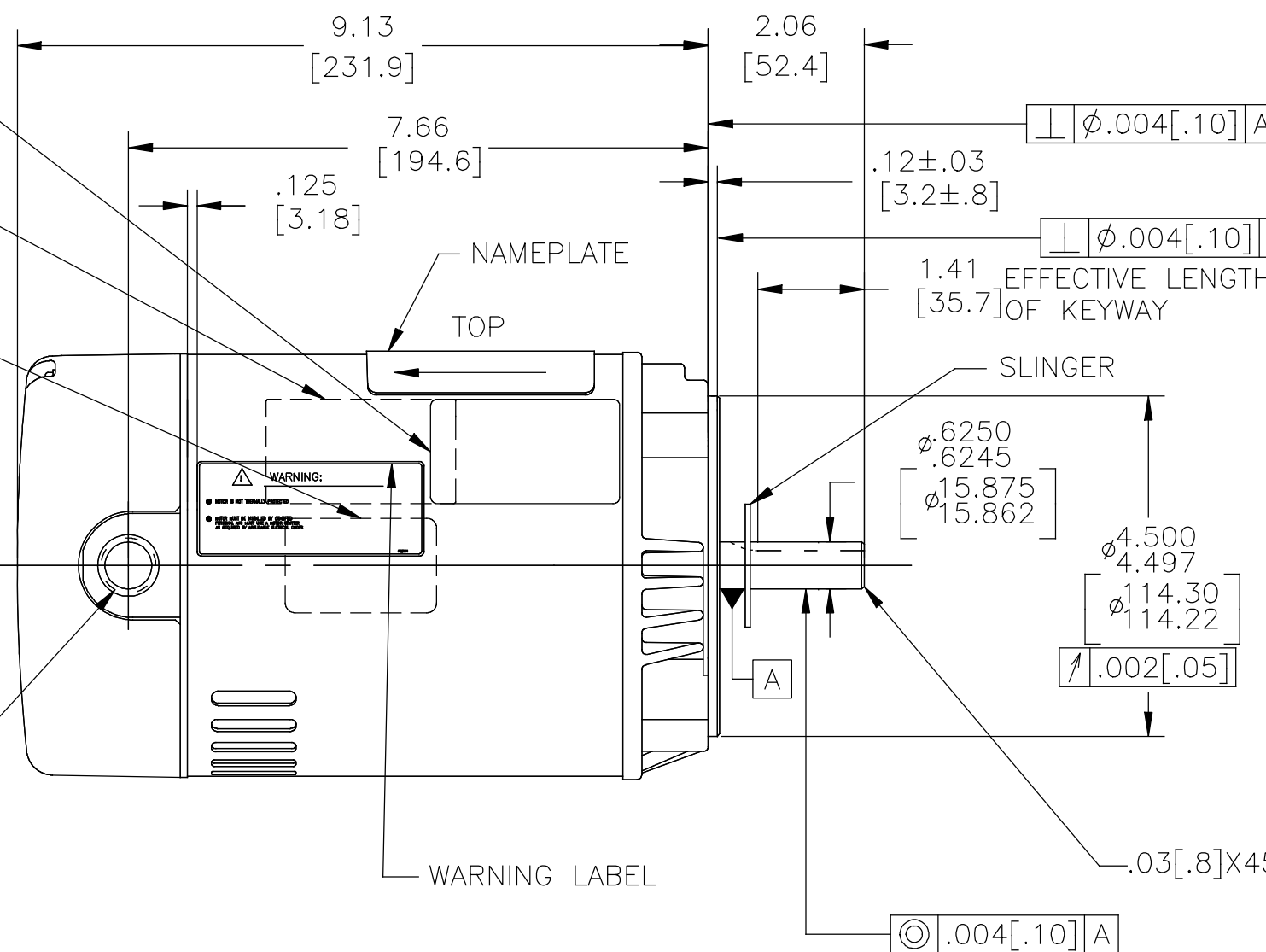


CEC NON-COMPLIANT  
STICKER

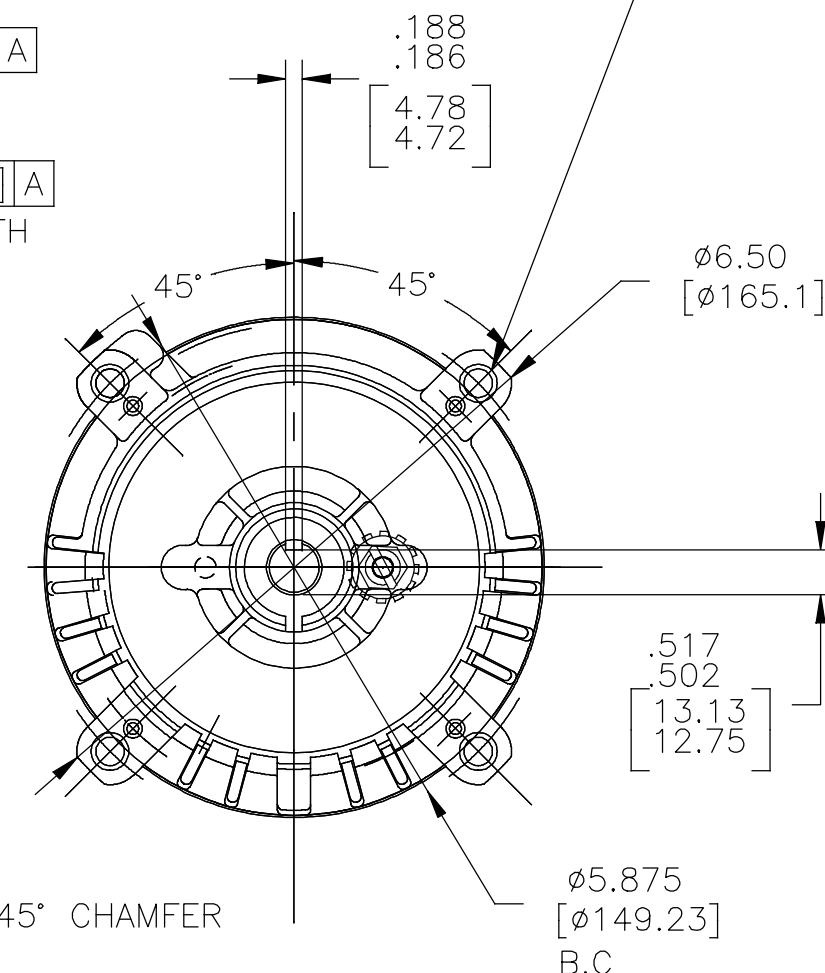
TOP OF NON SVRS  
STICKER ON BACK  
SIDE OF MOTOR

TOP OF SERIAL  
STICKER ON BACK  
SIDE OF MOTOR

1/2-14 STRAIGHT PIPE  
THREAD MUST BE  
LOCATED WITHIN ±2° OF  
HORIZONTAL CENTERLINE.



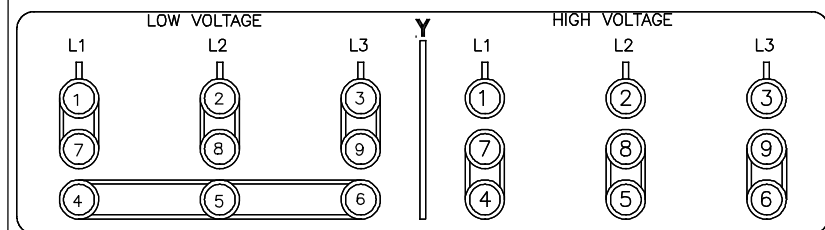
4X MOUNTING HOLES-3/8-16UNC-2B MAX.  
DEPTH OF SCREW IN CASTING=.625[15.88].



NAMEPLATE DATA

MODEL: P48K2DA1  
CUST PN: K3072  
HP: 3/4 SF: 1.5  
ROT: REVERSIBLE  
RPM: 3450  
TYPE: P CODE: N  
FORM: FRAME: 56C  
VOLTS: 208-230/460  
AMPS: 2.6/1.3  
MAX AMPS: 3.4/1.7  
SF AMPS: -  
PH: 3 HZ: 60  
INS: B AMB: 40  
DUTY: CONT  
ENCLOSURE: ODP

EXTERNAL CONNECTION DIAGRAM



NOTES

- (1) FINISH PAINT TO BE SATIN BLACK.
- (2) .438[11.13] WRENCH FLATS ON SHAFT -FOR ACCESS TO THIS WRENCH FLAT REMOVE END COVER.
- (3) CARBON STEEL SHAFT.
- (4) LIMITS ON AMPLITUDE OF VIBRATION MEASURED AT BEARING HOUSING = .001[.03].
- (5) MAX. END PLAY LESS THAN .005[.13].

PERFORMANCE  
CURVE

APPROVED  
SAMPLE

P48K2W1

UL COMPONENT

CSA

FILE#	CCN#	FILE#	GUIDE#
E46412	PRGY2	LR43341	4211-01

CUSTOMER DISTRIBUTION SERVICES

DRAWING REVISION C	REVISION BY P.ROJAS	DATE 04-29-2019
ECO ECO-0165900	APPROVED BY P.ROJAS	DATE 04-29-2019

ECO DESCRIPTION  
SEE ECO

COPYRIGHT REGAL BELOIT AMERICA, INC. ALL RIGHTS RESERVED. PROPRIETARY AND CONFIDENTIAL INFORMATION - THIS DOCUMENT IS THE PROPERTY OF REGAL BELOIT AMERICA, INC. (OWNER) AND CONTAINS OWNER'S PROPRIETARY INFORMATION. ANY PERSON, CORPORATION OR OTHER FIRM RECEIVING IT IS DEEMED, BY RECEIVING IT, TO AGREE THAT IT, AND/OR ANY PART OF IT, SHALL NOT BE DISCLOSED TO ANY PERSON, CORPORATION OR OTHER ENTITY, DUPLICATED, AND/OR USED, EXCEPT AS EXPRESSLY APPROVED IN WRITING IN ADVANCE BY OWNER. THIS DOCUMENT SHALL BE RETURNED TO OWNER UPON REQUEST. IT MAY BE SUBJECT TO CERTAIN RESTRICTIONS UNDER APPLICABLE EXPORT CONTROL LAWS AND REGULATIONS.

TOLERANCES UNLESS OTHERWISE SPECIFIED	INCH	mm	ANGLE
.X	±0.1	[±2.5]	±0.5°
.XX	±0.02	[±0.511]	
.XXX	±0.005	[±0.127]	
.XXXX	±0.0005	[±0.0127]	
REMOVE BURRS & BREAK SHARP EDGES .003/.015 [0.076/.381] X 45° CORNER FILLETS R.02 [5.1] MACHINED SURFACES 125/INCH 3.2/mm			

DRAWN BY: DZ	DATE: 10-21-2010
APPROVED BY: BS	DATE: 10-21-2010
REFERENCE	
THIRD ANGLE PROJECTION	

REGAL™ Regal Beloit America, Inc.	
DESCRIPTION	MODEL-RFHP-48FR OUTLINE
MATERIAL	PROCESS/FINISH
SIZE DWG NO	C K3072
SHEET	1