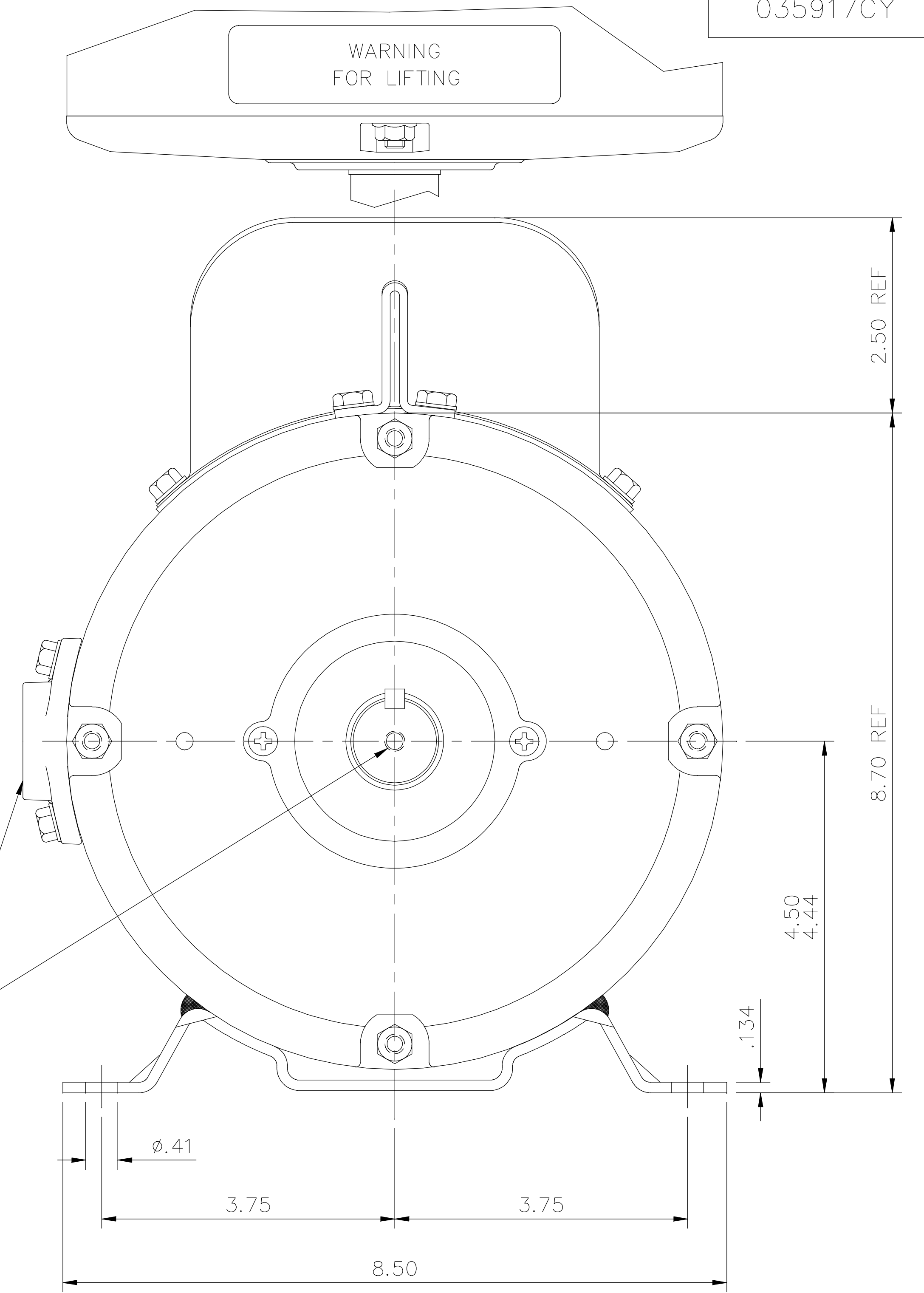
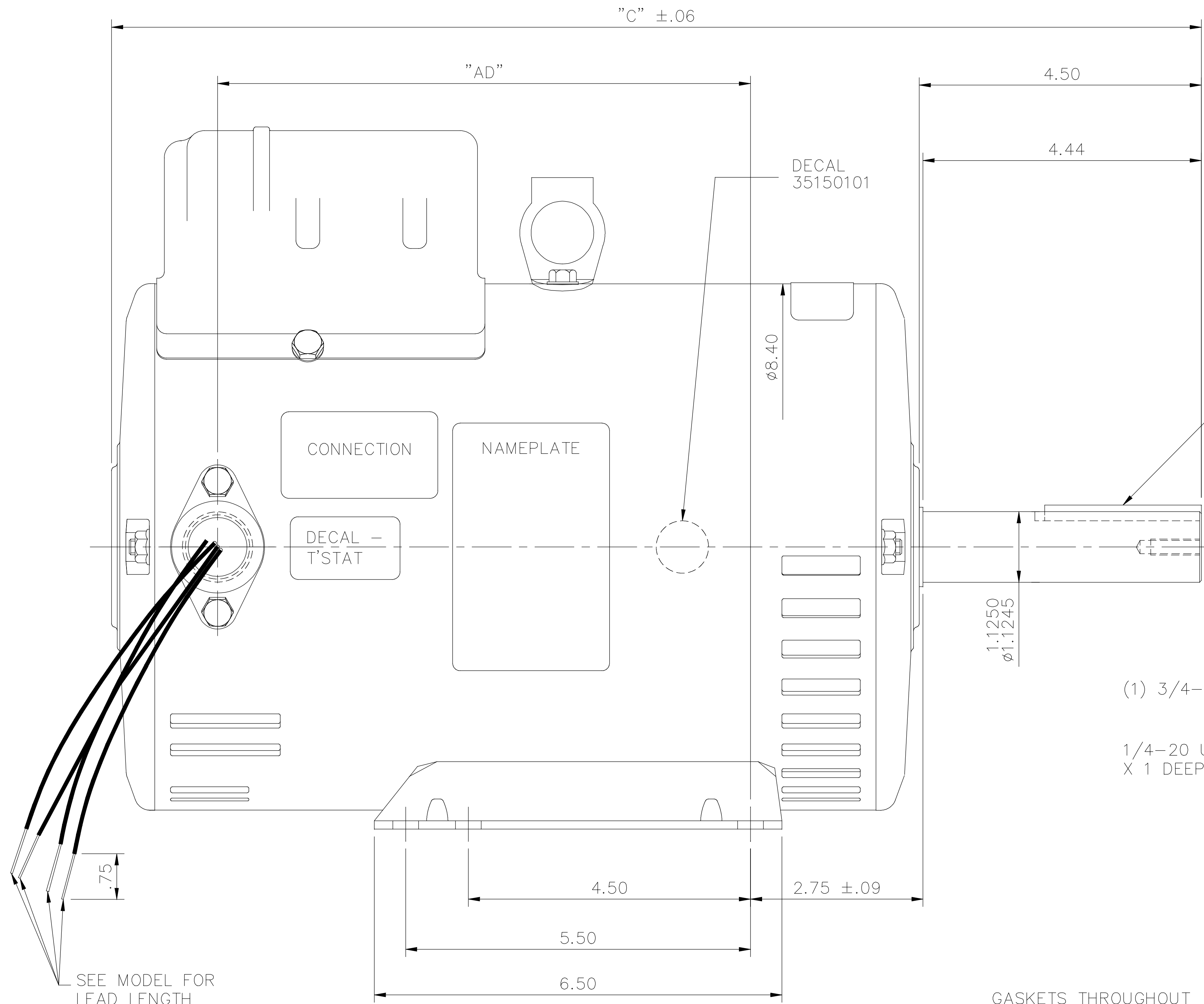


035917CY



| DASH NO. | "C" | "AD" |
|----------|-------|------|
| 950 | 15.38 | 6.50 |
| 1000 | 15.88 | 7.00 |
| 1050 | 16.38 | 7.50 |
| 1100 | 16.88 | 8.00 |
| 1150 | 17.38 | 8.50 |
| 1200 | 17.88 | 9.00 |
| 1250 | 18.38 | 9.50 |

| NO. | REVISION | BY & DATE | CHK | ANG | TOLERANCES UNLESS SPECIFIED | |
|-----|-----------------------------------------|--------------|------|-------|-----------------------------|--------|
| | | | | | DEC. | INCHES |
| A | REMOVED FULL DEPTH NOTE PER ECR-0142614 | MVG 01/02/18 | SR | .XXXX | ±.0005 | |
| | | | RFP | | | |
| | | | DIST | | | |

| | | |
|---------------------------------------------------------|--------|----------------------------------------------------------------------------------------|
| Regal Beloit America, Inc. | | DRAWN GR 08/31/12 CHK VS 08/31/12 APPD SCALE 1=2 REF 035613 FMF PREV |
| TITLE OUTLINE - 184TZ FRAME DRIP PROOF - RIGID MOUNT | | |
| MAT'L. FINISH | | |
| CAD FILE 035917CY | SIZE B | DRAWING NO. 035917CY REV. A |

THIS DRAWING IN DESIGN AND DETAIL IS OUR PROPERTY AND MUST NOT BE USED EXCEPT IN CONNECTION WITH OUR WORK ALL RIGHTS OF DESIGN AND INVENTION ARE RESERVED THIS IS AN ELECTRONICALLY GENERATED DOCUMENT - DO NOT SCALE THIS PRINT