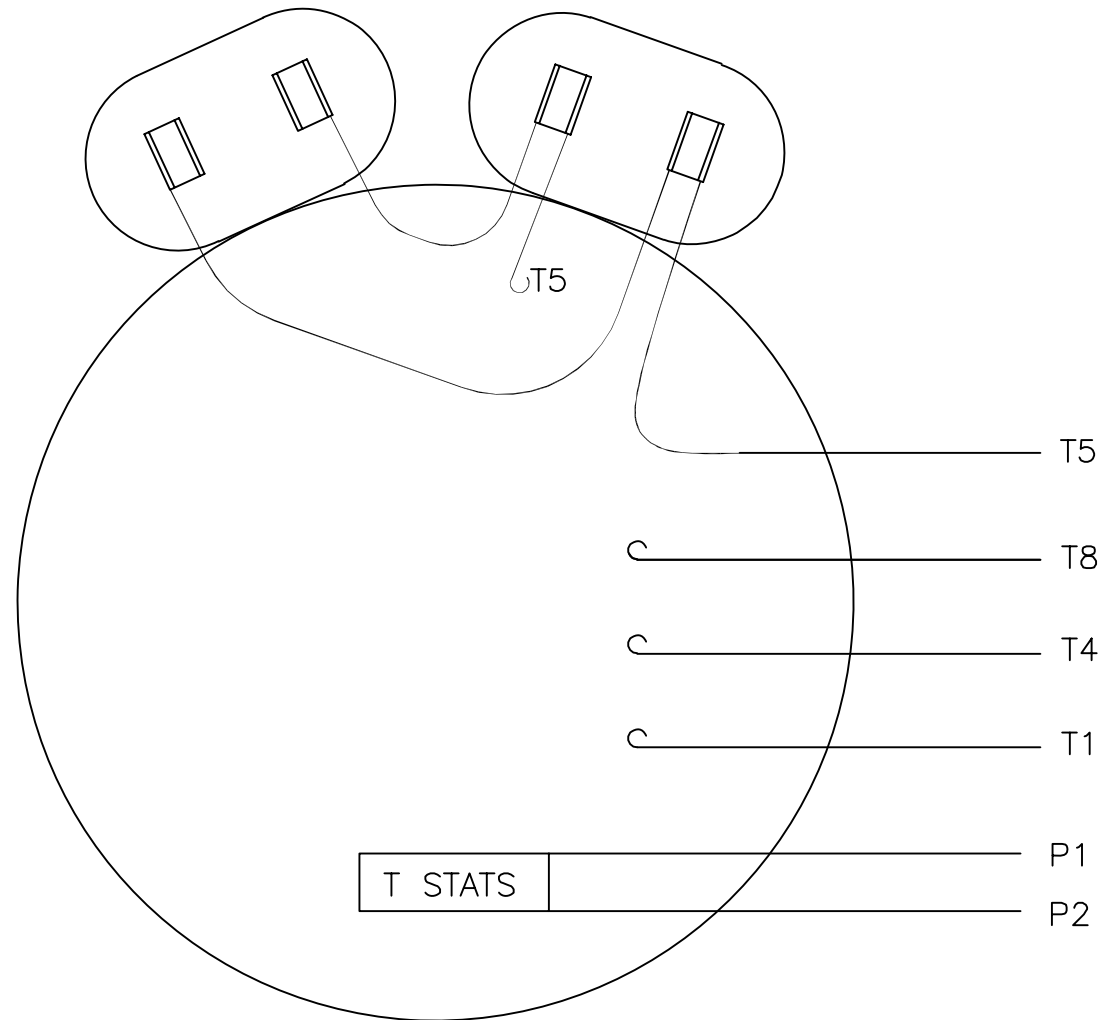
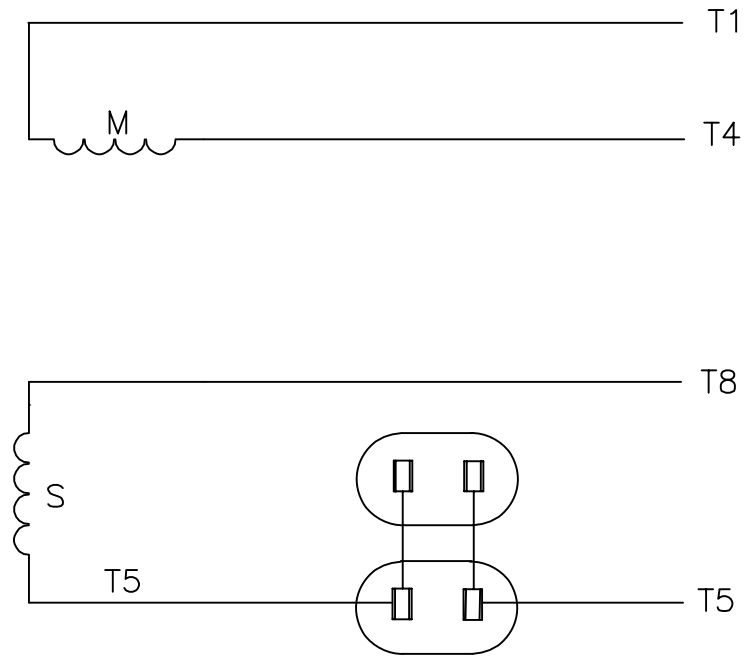


005368-07CY

VIEW FROM OUTSIDE OF MOTOR AT SWITCH END.



LINE LEADS



ROTATION FACING LEAD END	L1	L2	
C.W.	T1,T5	T4,T8	
C.C.W	T1,T8	T4,T5	

			TOLERANCES UNLESS SPECIFIED				DRAWN GR 08/29/12		
			DEC.	INCHES			CHK AK 08/29/12		
			.X	±.1			APPD		
C	UPDATED CONNECTION DIAGRAM PER ECO-0046112	AA 02/24/14	DJ	.XX	±.01	TITLE		SCALE 1=1	
B				.XXX	±.005	EXTERNAL WIRING DIAGRAM TPYE "P" W/O PROTECTOR		REF 005368-06CY	
A				.XXXX	±.0005	MAT'L.		FMF 121529.00	
NO.	REVISION	BY & DATE	CHK	ANG	±1/2'	FINISH		PREV	
THIS DRAWING IN DESIGN AND DETAIL IS OUR PROPERTY AND MUST NOT BE USED EXCEPT IN CONNECTION WITH OUR WORK ALL RIGHTS OF DESIGN AND INVENTION ARE RESERVED THIS IS AN ELECTRONICALLY GENERATED DOCUMENT - DO NOT SCALE THIS PRINT			RFP	CAD FILE		00536807CY	SIZE	DRAWING NO.	REV.
			DIST				A	005368-07CY	C