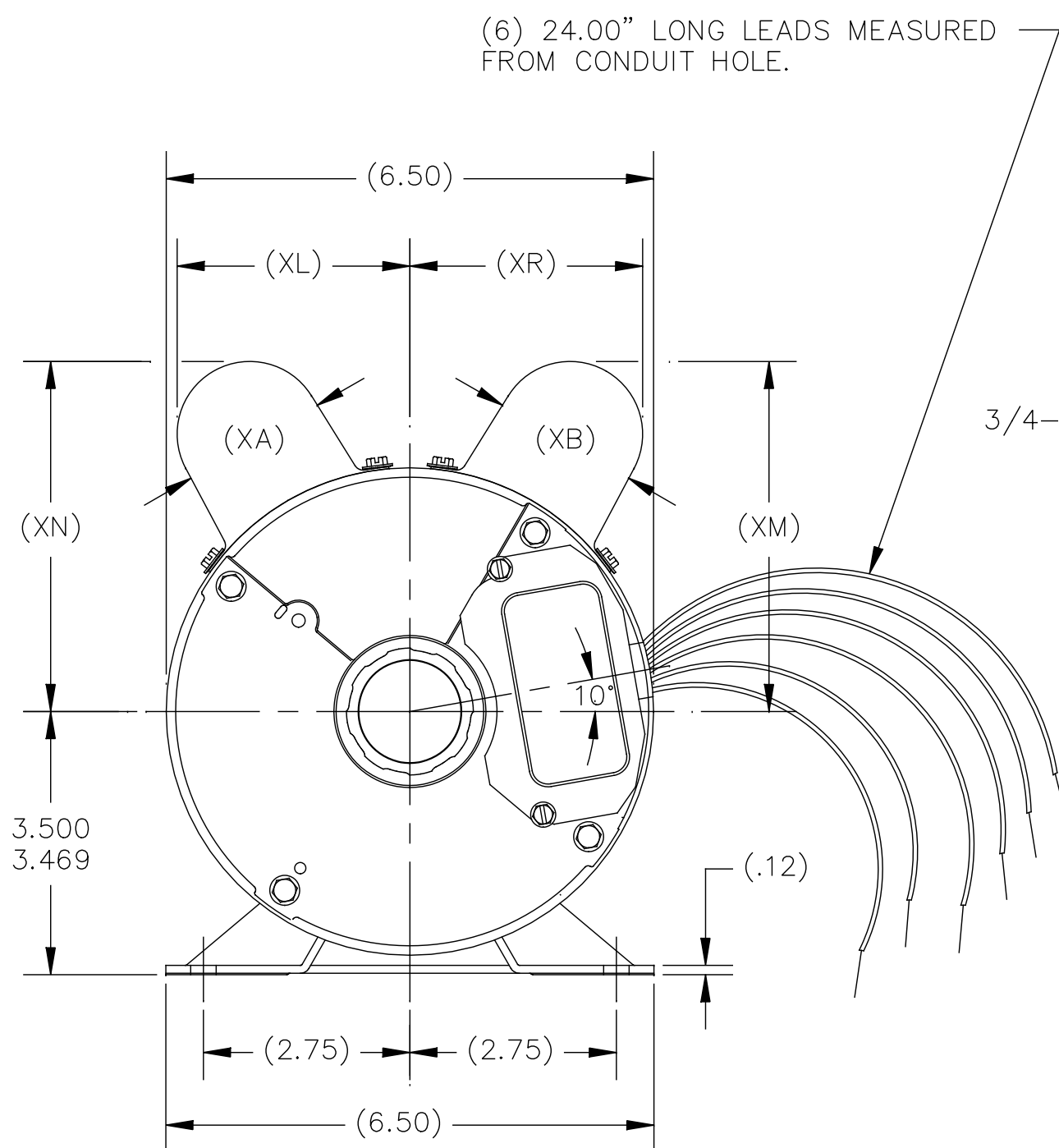
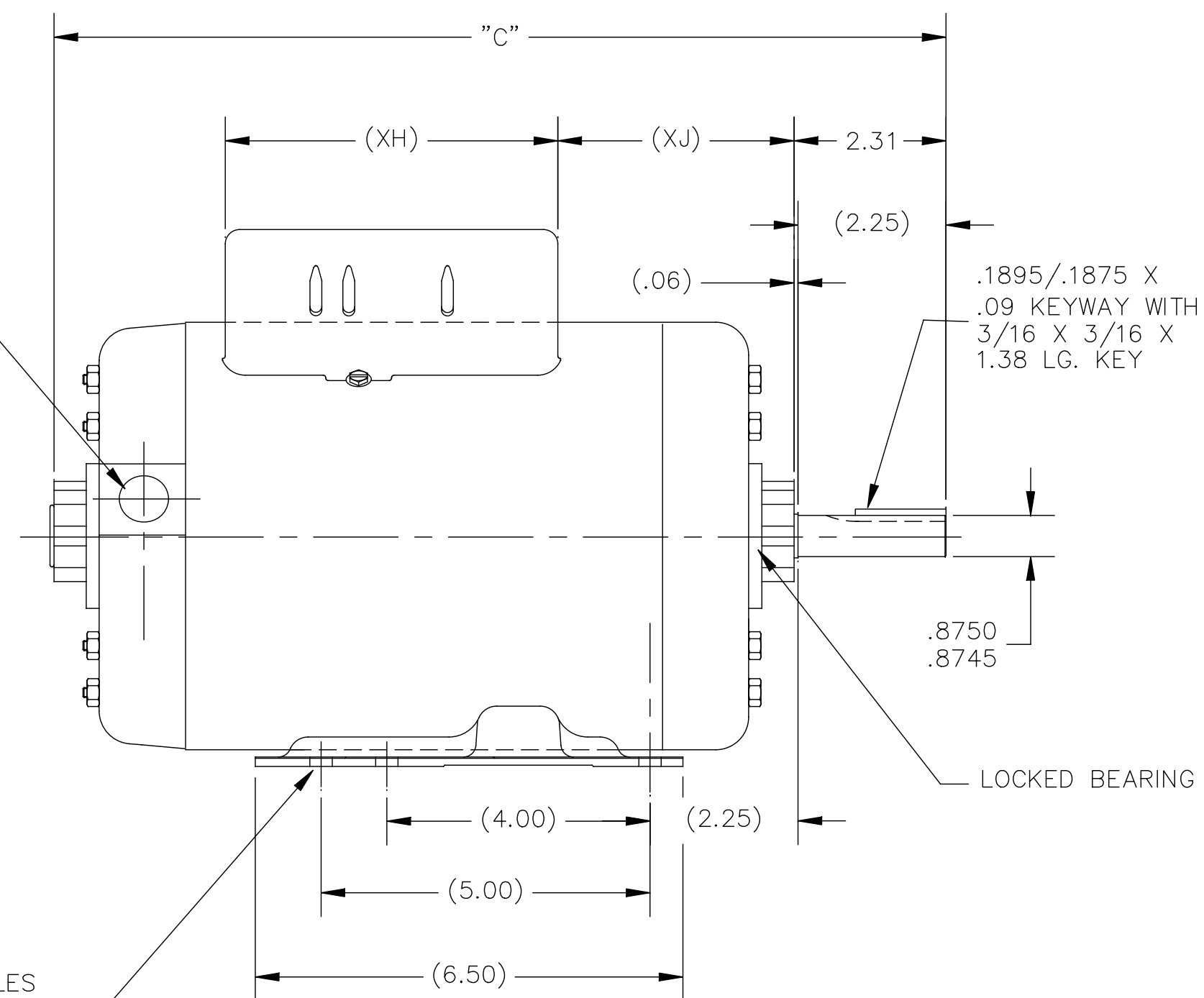


GROUP	TYPE	FRAME	"C"	"XA"	"XB"	"XH"	"XJ"	"XL"	"XM"	"XN"	"XR"
-01	CX	R145	14.56	2.01	2.01	5.06	4.95	3.09	4.64	4.64	3.09
-02	CX	P145	13.81	2.01	2.01	5.06	4.20	3.09	4.64	4.64	3.09



3/4-14 N.P.S.M.

6 MOUNTING HOLES
(.34 DIA.)



DRAWING REVISION H	REVISION BY A.BAUGHMAN	DATE 12-05-2016	TOLERANCES UNLESS OTHERWISE SPECIFIED	DRAWN BY: SAS	Regal Beloit America, Inc.
ECO ECO-0112574	APPROVED BY A.BAUGHMAN	DATE 12-05-2016	DEC. INCH mm ANGLE .X ±0.1 [±2.5] ±0.5° .XX ±0.02 [±0.51] .XXX ±0.005 [±0.127] .XXXX ±0.0005 [±0.0127]	DATE: 03-16-1984	
ECO DESCRIPTION UPDATED TO NEW REGAL TITLEBLOCK			REMOVE BURRS & BREAK SHARP EDGES .003/.015 [.076/.381] X 45° CORNER FILLETS R.02 [.51]	APPROVED BY:	DESCRIPTION MODEL-IHP OUTLINE
<small>COPYRIGHT REGAL BELOIT AMERICA, INC. ALL RIGHTS RESERVED. PROPRIETARY AND CONFIDENTIAL INFORMATION - THIS DOCUMENT IS THE PROPERTY OF REGAL BELOIT AMERICA, INC. (OWNER) AND CONTAINS OWNER'S PROPRIETARY INFORMATION. ANY PERSON, CORPORATION OR OTHER FIRM RECEIVING IT IS DEEMED, BY RECEIVING IT, TO AGREE THAT IT, AND/OR ANY PART OF IT, SHALL NOT BE DISCLOSED TO ANY PERSON, CORPORATION OR OTHER ENTITY, DUPLICATED, AND/OR USED, EXCEPT AS EXPRESSLY APPROVED IN WRITING IN ADVANCE BY OWNER. THIS DOCUMENT SHALL BE RETURNED TO OWNER UPON REQUEST. IT MAY BE SUBJECT TO CERTAIN RESTRICTIONS UNDER APPLICABLE EXPORT CONTROL LAWS AND REGULATIONS.</small>			MACHINED SURFACES 125/3.2 INCH/mm	DATE:	MATERIAL
			mm SHOWN IN [BRACKETS]	REFERENCE	PROCESS/FINISH
			THIRD ANGLE PROJECTION	SIZE DWG NO C 167778	SHEET 1