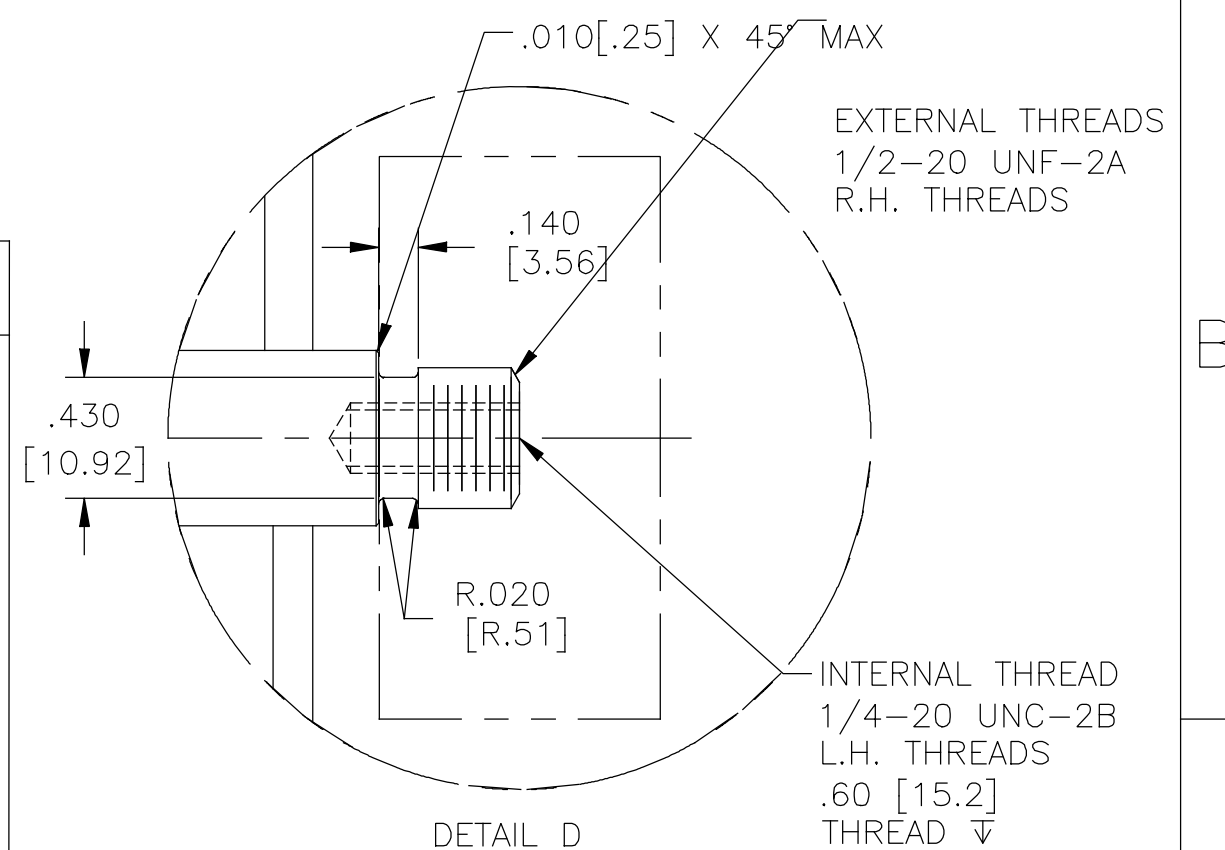


NAMEPLATE DATA		EXTERNAL CONNECTION DIAGRAM	NOTES
MODEL: F56AA76A01 CUST PN: HSQ1502 HP: 5.0 SF: 1.0 ROT: CW RPM: 3450 TYPE: CX CODE: H FORM: KJM FRAME: Y 56 Y VOLTS: 208-230 AMPS: 22.0 MAX AMPS: SF AMPS: PH: 1 HZ: 60 INS: F AMB: 50°C DUTY: CONT ENCLOSURE: ODP THERMALLY PROTECTED		<p>USE COPPER CONDUCTORS ONLY. INSTALL MOTOR WITH VENTS DOWN. ACCEPTABLE FOR FIELD WIRING</p>	<ol style="list-style-type: none"> <li>FOR THREADED SHAFT EXT. ECCENTRICITY OF THREADED PORTION OF FOR THREADED SHAFT EXT. ECCENTRICITY OF THREADED PORTION OF ON O.D. OF GROUND RING GAGE AS SHOWN. THE GAGE BEING STATIONARY WITH RESPECT TO THE ROTOR.</li> <li>END PLAY NOT TO EXCEED <math>.010 [.25]</math> MEASURED WITH NO THRUST.</li> <li>ALL DIMENSIONS SHOWN IN PARENTHESIS ARE REFERENCE DIMENSIONS.</li> <li>FINISH PAINT TO BE BLACK.</li> <li>GREEN GROUND SCREW LOCATED UNDER COVER TO BE INSTALLED WITH A <math>.09 [2.3]</math> MIN. GAP FOR EASY CONNECTION.</li> </ol>



PERFORMANCE CURVE	APPROVED SAMPLE		
0116788	F56AA47A04		
UL COMPONENT	CSA		
FILE#	CCN#	FILE#	GUIDE#
E25022	XEWR2	LR4642	4211-01
CUSTOMER	DISTRIBUTION		

DRAWING REVISION	REVISION BY	DATE	TOLERANCES UNLESS OTHERWISE SPECIFIED
C	P.ROJAS	04-29-2019	DEC. INCH mm ANGLE
ECO	APPROVED BY	DATE	.X ±0.1 [±2.5] ±0.5°
ECO-0165900	P.ROJAS	04-29-2019	.XX ±0.02 [±0.51]
ECO DESCRIPTION			.XXX ±0.005 [±0.127]
SEE ECO			.XXXX ±0.0005 [±0.0127]

COPYRIGHT REGAL BELOIT AMERICA, INC. ALL RIGHTS RESERVED. PROPRIETARY AND CONFIDENTIAL INFORMATION - THIS DOCUMENT IS THE PROPERTY OF REGAL BELOIT AMERICA, INC. (OWNER) AND CONTAINS OWNER'S PROPRIETARY INFORMATION. ANY PERSON, CORPORATION OR OTHER FIRM RECEIVING IT IS DEEMED, BY RECEIVING IT, TO AGREE THAT IT, AND/OR ANY PART OF IT, SHALL NOT BE DISCLOSED TO ANY PERSON, CORPORATION OR OTHER ENTITY, DUPLICATED, AND/OR USED, EXCEPT AS EXPRESSLY APPROVED IN WRITING IN ADVANCE BY OWNER. THIS DOCUMENT SHALL BE RETURNED TO OWNER UPON REQUEST. IT MAY BE SUBJECT TO CERTAIN RESTRICTIONS UNDER APPLICABLE EXPORT CONTROL LAWS AND REGULATIONS.

DRAWN BY:	DATE:	APPROVED BY:	DATE:	DESCRIPTION:
CHERRY.ZHANG	07-14-2011	HONG.ZHU	07-14-2011	MODEL-PFHP-56FR OUTLINE
				MATERIAL: PROCESS/FINISH:
				THIRD ANGLE PROJECTION
				SIZE DWG NO. HSQ1502
				SHEET 1