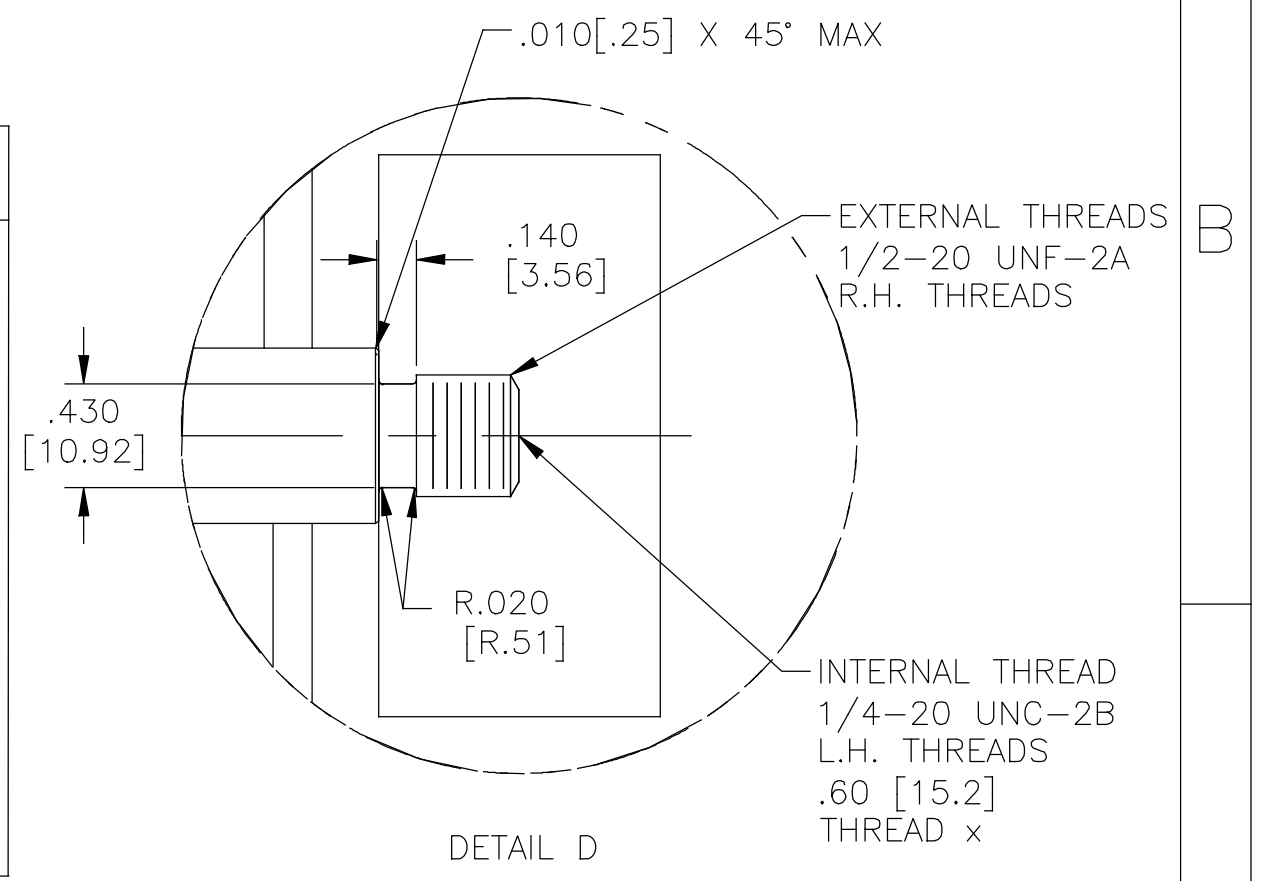


NAMEPLATE DATA		EXTERNAL CONNECTION DIAGRAM	NOTES
MODEL: 196338 CUST PN: HSQ1202 HP: 2.0 SF: 1.35 ROT: CCWPE RPM: 3450 TYPE: CP CODE: H FORM: FRAME: Y 56 Y VOLTS: 208-230 AMPS: MAX AMPS: 12.0-11.0 SF AMPS: PH: 1 HZ: 60 INS: F AMB: 60°C DUTY: CONT ENCLOSURE: ODP THERMALLY PROTECTED			<ol style="list-style-type: none"> FOR THREADED SHAFT EXT. ECCENTRICITY OF THREADED PORTION OF SHAFT IS HELD WITHIN .004[.10] TOTAL GAGE READING WITH THE INDICATOR ON O.D. OF GROUND RING GAGE AS SHOWN. THE GAGE BEING STATIONARY WITH RESPECT TO THE ROTOR. END PLAY NOT TO EXCEED .010[.25] MEASURED WITH NO THRUST ALL DIMENSIONS SHOWN IN PARENTHESIS ARE REFERENCE DIMENSIONS. FINISH PAINT TO BE BLACK. GREEN GROUND SCREW LOCATED UNDER COVER TO BE INSTALLED WITH A .09[2.3] MIN. GAP FOR EASY CONNECTION.



PERFORMANCE CURVE	APPROVED SAMPLE		
101128101	0701132		
UL COMPONENT	CSA		
FILE#	CCN#	FILE#	GUIDE#
E14663	PRGY2	LR642	4211-01
CUSTOMER	DISTRIBUTION		

DRAWING REVISION	REVISION BY	DATE	TOLERANCES UNLESS OTHERWISE SPECIFIED
G	P.ROJAS	04-26-2019	DEC. INCH mm ANGLE
ECO	APPROVED BY	DATE	.X ±0.1 [±2.5] ±0.5°
ECO-0165900	P.ROJAS	04-26-2019	.XX ±0.02 [±0.51]
ECO DESCRIPTION			.XXX ±0.005 [±0.127]
SEE ECO			.XXXX ±0.0005 [±0.0127]

DRAWN BY:	DATE:	APPROVED BY:	DATE:	DESCRIPTION:
JHENRY	06-26-2008			MODEL-PFHP-56FR OUTLINE
				MATERIAL: _____
				PROCESS/FINISH: _____
THIRD ANGLE PROJECTION	SIZE DWG NO			SHEET
	C HSQ1202			1

COPYRIGHT REGAL BELOIT AMERICA, INC. ALL RIGHTS RESERVED. PROPRIETARY AND CONFIDENTIAL INFORMATION - THIS DOCUMENT IS THE PROPERTY OF REGAL BELOIT AMERICA, INC. (OWNER) AND CONTAINS OWNER'S PROPRIETARY INFORMATION. ANY PERSON, CORPORATION OR OTHER FIRM RECEIVING IT IS DEEMED, BY RECEIVING IT, TO AGREE THAT IT, AND/OR ANY PART OF IT, SHALL NOT BE DISCLOSED TO ANY PERSON, CORPORATION OR OTHER ENTITY, DUPLICATED, AND/OR USED, EXCEPT AS EXPRESSLY APPROVED IN WRITING IN ADVANCE BY OWNER. THIS DOCUMENT SHALL BE RETURNED TO OWNER UPON REQUEST. IT MAY BE SUBJECT TO CERTAIN RESTRICTIONS UNDER APPLICABLE EXPORT CONTROL LAWS AND REGULATIONS.