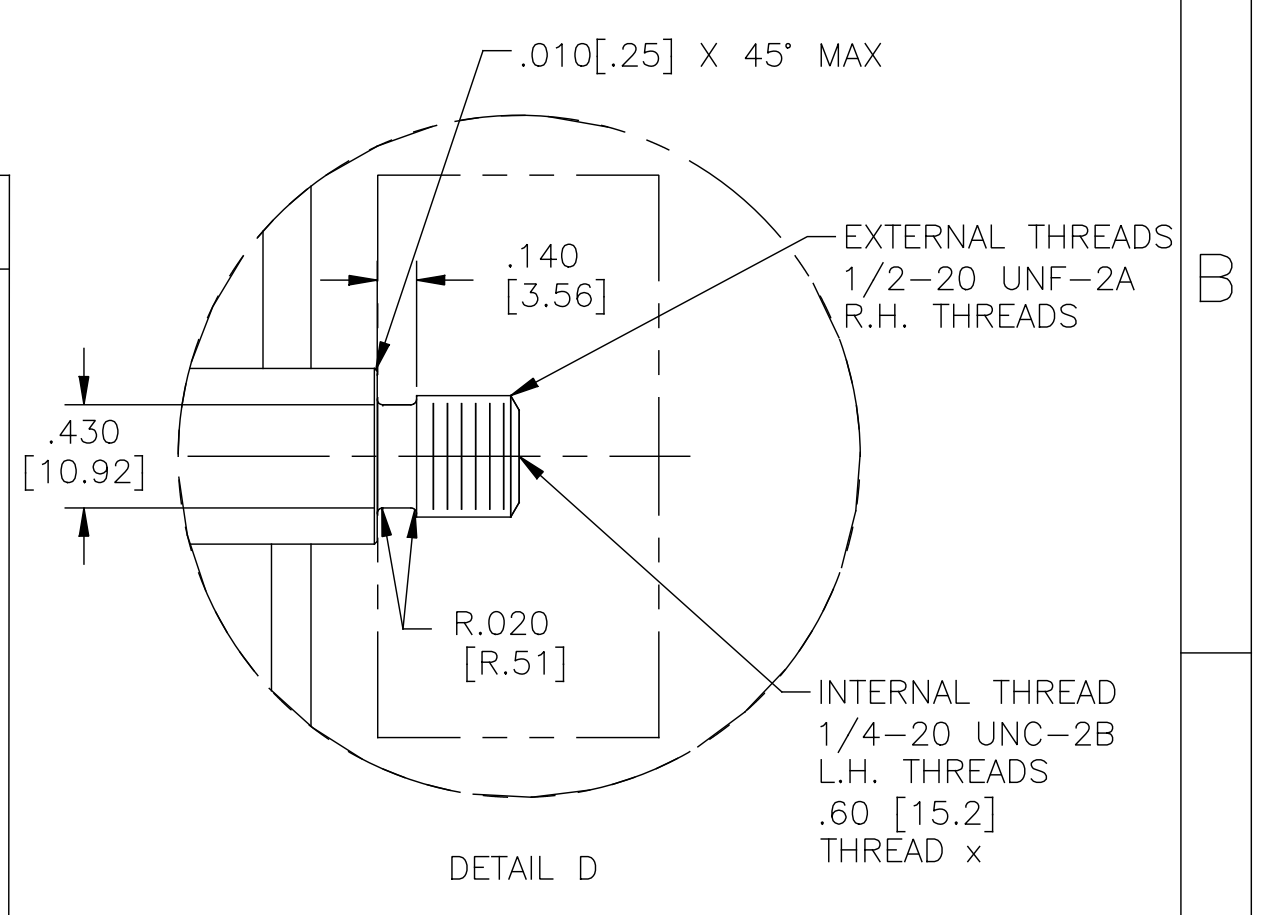


NAMEPLATE DATA	EXTERNAL CONNECTION DIAGRAM	NOTES
MODEL: 196335 CUST PN: HSQ1072 HP: .75 SF: 1.85 ROT: CCWPE RPM: 3450 TYPE: CP CODE: E FORM: FRAME: Y 56 Y VOLTS: 208-230/115 AMPS: MAX AMPS: 7.0-5.8/11.6 SF AMPS: PH: 1 HZ: 60 INS: F AMB: 60°C DUTY: CONT ENCLOSURE: ODP THERMALLY PROTECTED	<p>HIGH VOLTAGE SHOWN, ROTATE DIAL CCW TO 115 FOR LOW VOLTAGE. USE COPPER CONDUCTORS ONLY. INSTALL MOTOR WITH VENTS DOWN. ACCEPTABLE FOR FIELD WIRING</p>	<ol style="list-style-type: none"> FOR THREADED SHAFT EXT. ECCENTRICITY OF THREADED PORTION OF SHAFT IS HELD WITHIN .004[.10] TOTAL GAGE READING WITH THE INDICATOR ON O.D. OF GROUND RING GAGE AS SHOWN. THE GAGE BEING STATIONARY WITH RESPECT TO THE ROTOR. END PLAY NOT TO EXCEED .010[.25] MEASURED WITH NO THRUST ALL DIMENSIONS SHOWN IN PARENTHESIS ARE REFERENCE DIMENSIONS. FINISH PAINT TO BE BLACK. GREEN GROUND SCREW LOCATED UNDER COVER TO BE INSTALLED WITH A .09[2.3] MIN. GAP FOR EASY CONNECTION. CONNECTED FOR 230V. DUAL VOLTAGE MOTOR. SEE CONNECTION DIAGRAM TO CHANGE VOLTS TO 115V.



PERFORMANCE CURVE	APPROVED SAMPLE		
	0604250A		
UL COMPONENT	CSA		
FILE#	CCN#	FILE#	GUIDE#
E14663	PRGY2	LR642	4211-01
CUSTOMER	DISTRIBUTION		

DRAWING REVISION	REVISION BY	DATE	TOLERANCES UNLESS OTHERWISE SPECIFIED	DRAWN BY:	REGAL™ Regal Beloit America, Inc.
H	F.NAVARRO	09-27-2016	DEC. INCH mm ANGLE	J.HENRY	
ECO	APPROVED BY	DATE	.X ±0.1 [±2.5] ±0.5°	DATE:	
ECO-0109446	-	-	.XX ±0.02 [±0.51]	09-26-2008	
SEE ECO			.XXX ±0.005 [±0.127]	APPROVED BY:	
			.XXXX ±0.0005 [±0.0127]	DATE:	
			REMOVE BURRS & BREAK SHARP EDGES .003/.015 [0.076/.381]	REFERENCE	
			CORNER FILLETS .02 [51]	MATERIAL	
			MACHINED SURFACES 125/3.2	PROCESS/FINISH	
			mm SHOWN IN [BRACKETS]	THIRD ANGLE PROJECTION	
				SIZE DWG NO	
				C	HSQ1072
					SHEET 1