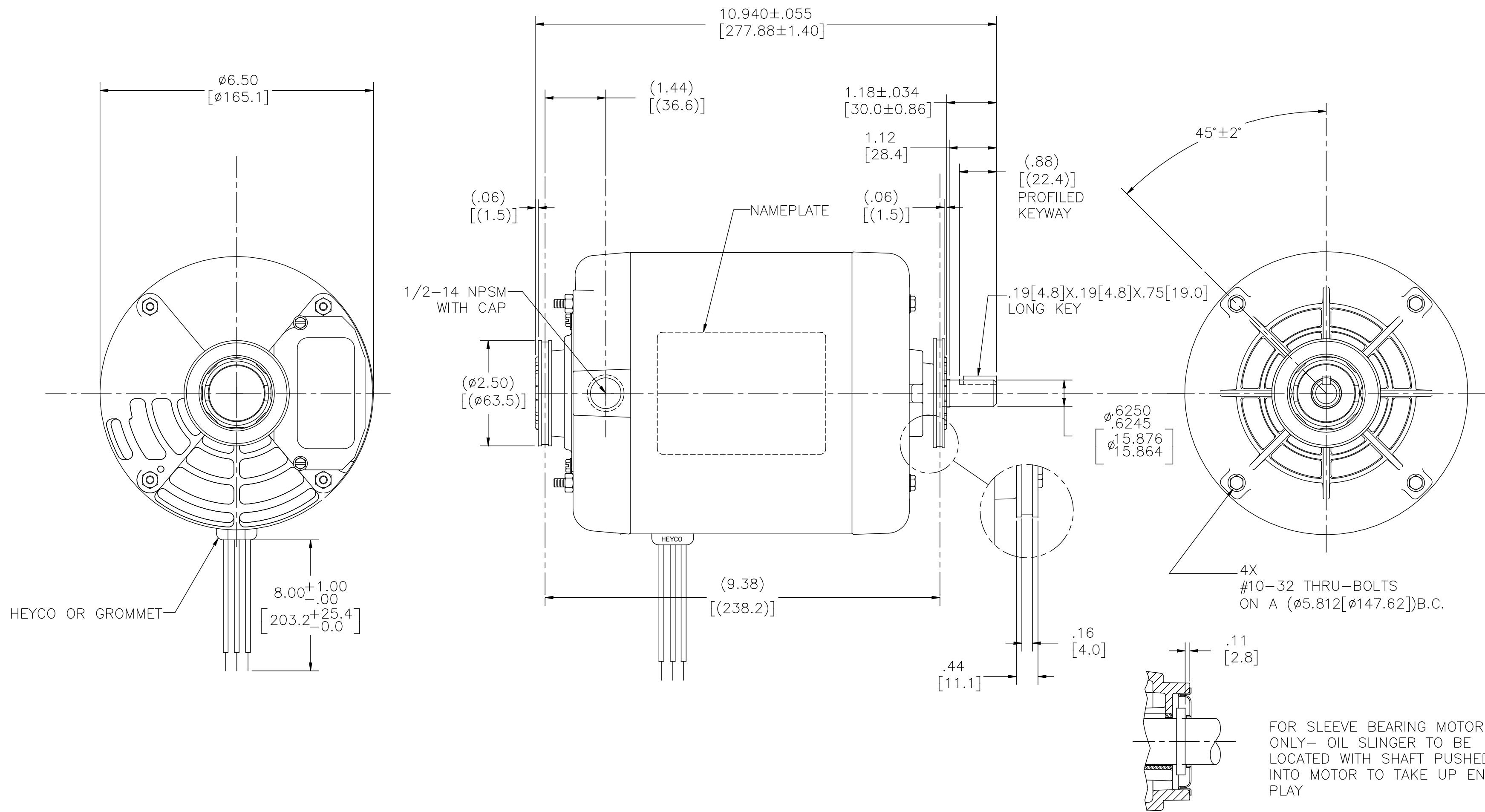



ALL DIMENSIONS SHOWN IN PARENTHESIS ARE REFERENCE DIMENSIONS. ALL UNLESS OTHERWISE SPECIFIED.



FOR SLEEVE BEARING MOTORS ONLY- OIL SLINGER TO BE LOCATED WITH SHAFT PUSHED INTO MOTOR TO TAKE UP END PLAY

DRAWING REVISION D	REVISION BY F.NAVARRO	DATE 08-30-2016	TOLERANCES UNLESS OTHERWISE SPECIFIED DEC. INCH mm ANGLE .X ±0.1 [±2.5] ±0.5° .XX ±0.02 [±0.51] .XXX ±0.005 [±0.127] .XXXX ±0.0005 [±0.0127]	DRAWN BY: AL	 Regal Regal Beloit America, Inc.	
ECO 0092984	APPROVED BY -	DATE -	REMOVE BURRS & BREAK SHARP EDGES .003/.015 [0.076/.381] CORNER FILLETS .02 [51] MACHINED SURFACES $\frac{125}{\sqrt{mm}} \frac{3.2}{\sqrt{mm}}$ mm SHOWN IN [BRACKETS]	DATE: 09-28-2010		
ECO DESCRIPTION SEE ECO	<small>COPYRIGHT REGAL BELOIT AMERICA, INC. ALL RIGHTS RESERVED. PROPRIETARY AND CONFIDENTIAL INFORMATION - THIS DOCUMENT IS THE PROPERTY OF REGAL BELOIT AMERICA, INC. (OWNER) AND CONTAINS OWNER'S PROPRIETARY INFORMATION. ANY PERSON, CORPORATION OR OTHER FIRM RECEIVING IT IS DEEMED, BY RECEIVING IT, TO AGREE THAT IT, AND/OR ANY PART OF IT, SHALL NOT BE DISCLOSED TO ANY PERSON, CORPORATION OR OTHER ENTITY, DUPLICATED, AND/OR USED, EXCEPT AS EXPRESSLY APPROVED IN WRITING IN ADVANCE BY OWNER. THIS DOCUMENT SHALL BE RETURNED TO OWNER UPON REQUEST. IT MAY BE SUBJECT TO CERTAIN RESTRICTIONS UNDER APPLICABLE EXPORT CONTROL LAWS AND REGULATIONS.</small>		APPROVED BY: KX	DESCRIPTION MODEL-PFHP-56FR OUTLINE	MATERIAL	PROCESS/FINISH
				DATE: 09-28-2010		
				REFERENCE		
				THIRD ANGLE PROJECTION	SIZE DWG NO C H985L	SHEET 1