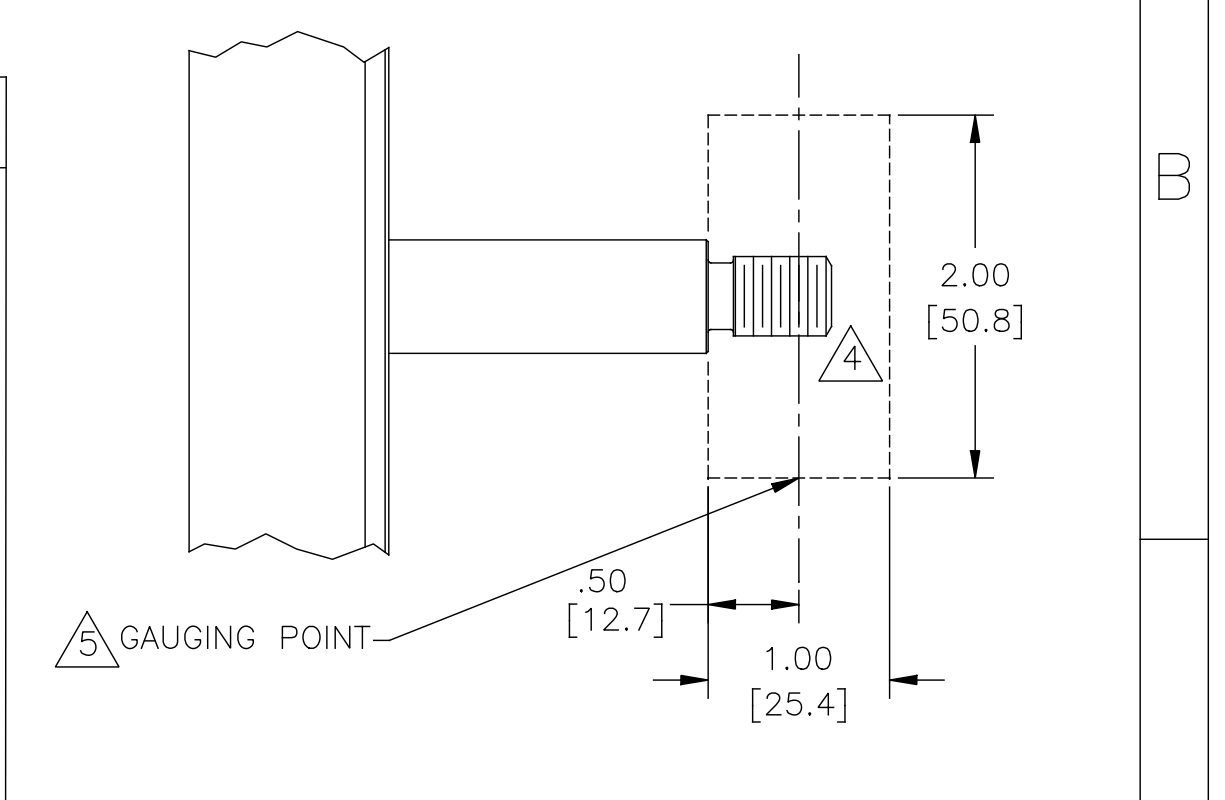


NAMEPLATE DATA		EXTERNAL CONNECTION DIAGRAM		NOTES
MODEL: H967ES CUST PN: P56AJ05A01 HP: 1.0 SF: 1.00 ROT: RCW RPM: 3450 TYPE: SC FORM: CODE: M FRAME: J56J VOLTS: 575 AMPS: 1.2 MAX AMPS: - SF AMPS: - PH: 3 HZ: 60 INS: B AMB: 40°C DUTY: CONT ENCLOSURE: TEFC		183040-35 #1 RED — LINE A TO REVERSE, INTERCHANGE ANY TWO LINE LEADS. #2 WHITE — LINE B #3 BLUE — LINE C		

- ⚠️ PILOT DIAMETER IS CONCENTRIC WITH SHAFT CENTERLINE WITHIN .004 T.I.R.  
 ⚠️ FACE OF MOUNTING FLANGE IS PERPENDICULAR TO SHAFT CENTERLINE WITHIN .004 T.I.R.  
 3. SHAFT RUNOUT NOT TO EXCEED .002 T.I.R.  
 4. FOR THREADED SHAFT EXT. MATING PARTS SHOULD BE RELIEVED ONE THREAD TO CLEAR FILLET.  
 ⚠️ FOR THREADER SHAFT EXT. ECCENTRICITY OF THREADED PORTION OF SHAFT IS HELD WITHIN .004 TOTAL GAGE READING WITH THE INDICATOR ON O.D. OF GROUND RING AS SHOWN. THE GAGE BEING STATIONARY WITH RESPECT TO THE ROTOR.  
 6. END PLAY NOT TO EXCEED .010 MEASURED WITH NO THRUST  
 7. ALL DIMENSIONS SHOWN IN PARENTHESIS ARE REFERENCE DIMENSIONS.



PERFORMANCE CURVE		APPROVED SAMPLE	
SS0010425-4			
UL COMPONENT		CSA	
FILE#	CCN#	FILE#	GUIDE#
E44549	PRGY2	LR4642	4211-01
CUSTOMER	REGAL DISTRIBUTION		

DRAWING REVISION	REVISION BY	DATE	TOLERANCES UNLESS OTHERWISE SPECIFIED	DRAWN BY:	REGAL™ Regal Beloit America, Inc.
A	L. ALMARAZ		DEC. INCH mm ANGLE	L. ALMARAZ	
ECO 0099763	APPROVED BY	DATE	.X ±0.1 [±2.5] ±0.5°	DATE: 04/05/2016	
NEW			.XX ±0.02 [±0.51]	APPROVED BY: M. RODARTE	DESCRIPTION MODEL-CFHP-56FR OUTLINE
			.XXX ±0.005 [±0.127]	DATE: 04/05/2016	MATERIAL
			.XXXX ±0.0005 [±0.0127]	REFERENCE	PROCESS/FINISH
COPYRIGHT REGAL BELOIT AMERICA, INC. ALL RIGHTS RESERVED. PROPRIETARY AND CONFIDENTIAL INFORMATION - THIS DOCUMENT IS THE PROPERTY OF REGAL BELOIT AMERICA, INC. ("OWNER") AND CONTAINS OWNER'S PROPRIETARY INFORMATION. ANY PERSON, CORPORATION OR OTHER FIRM RECEIVING IT IS DEEMED, BY RECEIVING IT, TO AGREE THAT IT, AND/OR ANY PART OF IT, SHALL NOT BE DISCLOSED TO ANY PERSON, CORPORATION OR OTHER ENTITY, DUPLICATED, AND/OR USED, EXCEPT AS EXPRESSLY APPROVED IN WRITING IN ADVANCE BY OWNER. THIS DOCUMENT SHALL BE RETURNED TO OWNER UPON REQUEST. IT MAY BE SUBJECT TO CERTAIN RESTRICTIONS UNDER APPLICABLE EXPORT CONTROL LAWS AND REGULATIONS.			REMOVE BURRS & BREAK SHARP EDGES .003/.015 [0.076/.381] CORNER FILLETS .02 [.51] MACHINED SURFACES $\sqrt{125}$ INCH/mm $\sqrt{3.2}$ mm SHOWN IN [BRACKETS]	THIRD ANGLE PROJECTION SIZE DWG NO C H967ES SHEET 1	