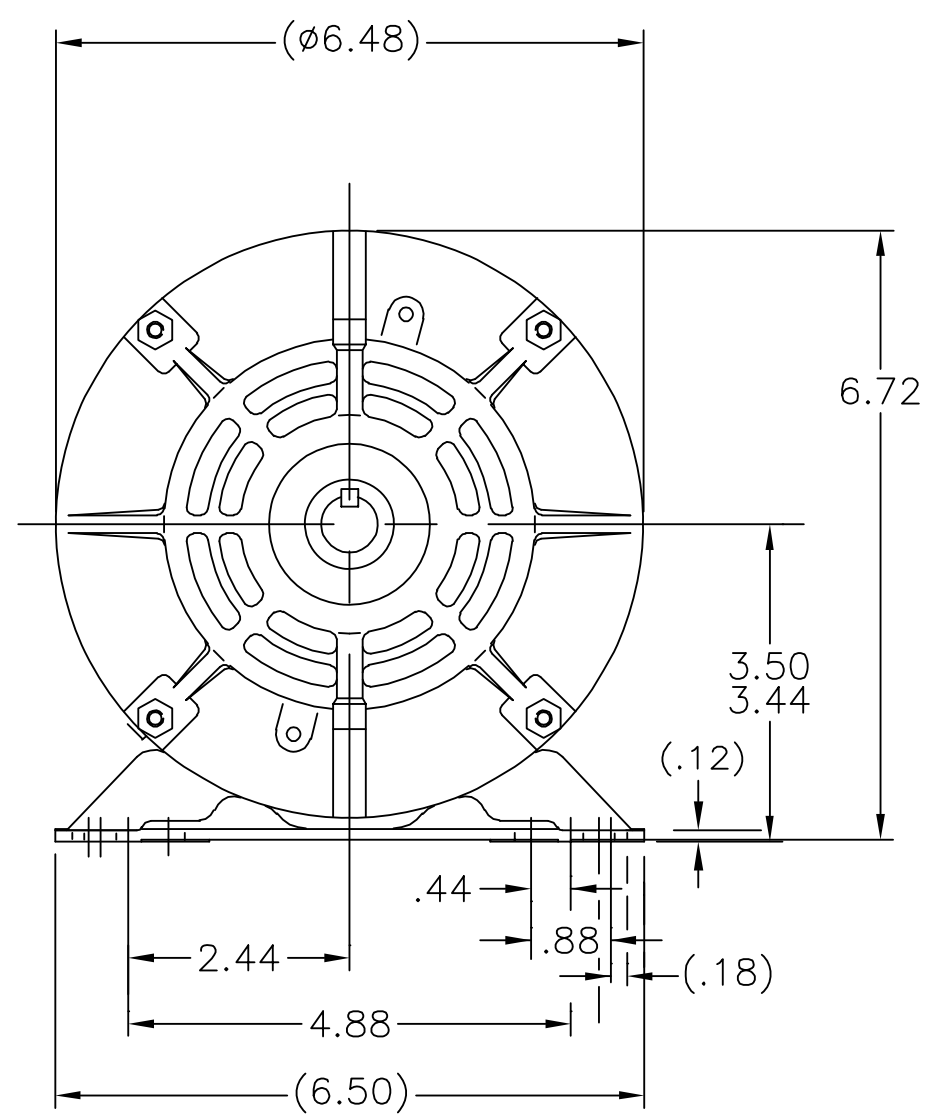
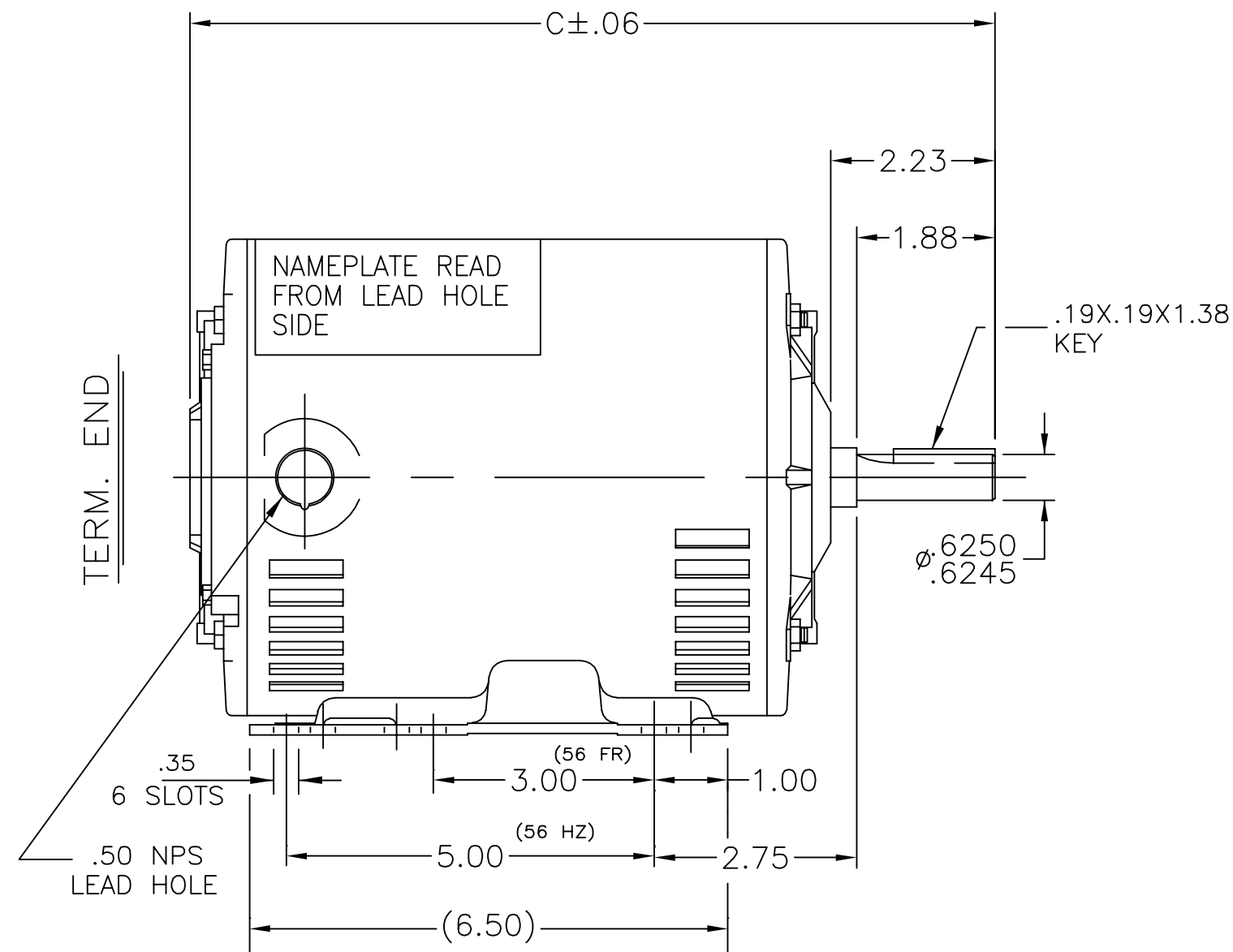



108249



DASH	C	DASH	C
656	10.44	856	12.44
706	10.94	906	12.94
756	11.44	956	13.44
806	11.94		

NO.		REVISION	BY & DATE	CHK	ANG	TOLERANCES UNLESS SPECIFIED	 Regal Beloit America, Inc.	DRAWN PST 12/17/2014					
						DEC. INCHES		CHK AP 12/17/2014					
						.X ±.1		APPD					
						.XX ±.03		SCALE 3=8					
						.XXX ±.005		REF					
						.XXXX ±.0005	FIMF						
						ANG ±7'30"	PREV						
						RFP	CAD FILE 108249		SIZE	DRAWING NO.	PAGE	OF	REV.
						DIST WP			A	108249			

THIS DRAWING IN DESIGN AND DETAIL IS OUR PROPERTY AND MUST NOT BE USED EXCEPT IN CONNECTION WITH OUR WORK ALL RIGHTS OF DESIGN AND INVENTION ARE RESERVED THIS IS AN ELECTRONICALLY GENERATED DOCUMENT - DO NOT SCALE THIS PRINT