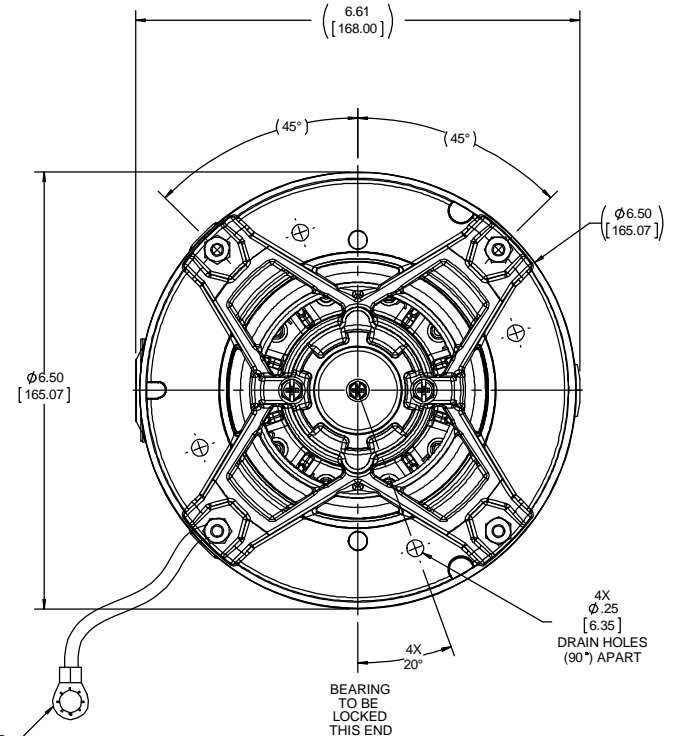
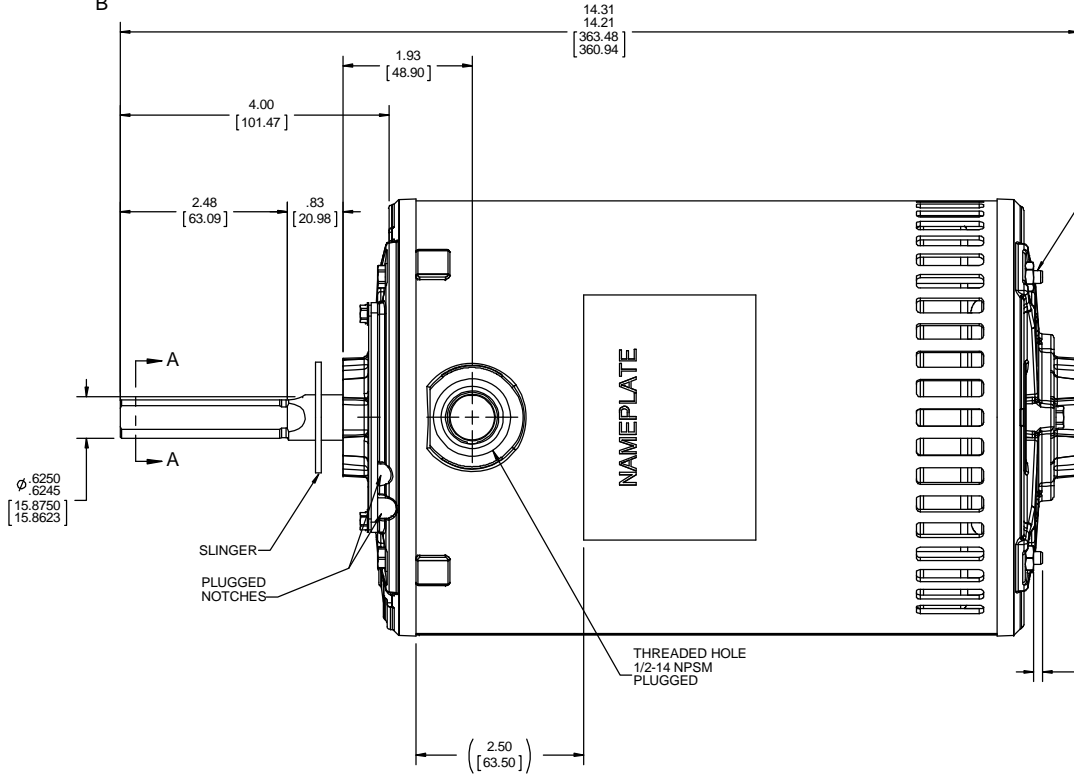
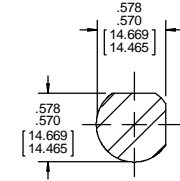


SECTION B-B



GROUND LEAD ATTACHED TO THIS THURBOLT 12.0±1.0 [305.0±25] TERMINAL FOR #10 SCREW.



SECTION A-A

● = CRITICAL DIMENSION

DRAWING REVISION B	REVISION BY D.SURJAWANSHI	DATE 01/03/2018	TOLERANCES UNLESS OTHERWISE SPECIFIED: DEC. INCH mm ANGLE .X ±0.1 [2.5] 30.5° .XX ±0.03 [0.76] .XXX ±0.005 [0.127] .XXXX ±0.0005 [±0.0127] REMOVE BURRS & BREAK SHARP EDGES: .0031 [0.078] X 45° CORNER FILLETS: R.02 [.51] MACHINED SURFACES: 125 / 3.2 INCH/ mmv mm SHOWN IN [BRACKETS]	DRAWN BY E.VILLA	DATE 06-02-2016	DESCRIPTION OUTLINE 56FR_OAO_3-PHASE
ECO-0159006	APPROVED BY	DATE	APPROVED BY J.ORTEGA	DATE 06-02-2016	REFERENCE H962	MATERIAL
ECO DESCRIPTION UPDATED TERMINAL BOARD ASSY COPYRIGHT REGAL BELOIT AMERICA, INC. ALL RIGHTS RESERVED. PROPRIETARY AND CONFIDENTIAL INFORMATION. THIS DOCUMENT IS THE PROPERTY OF REGAL BELOIT AMERICA, INC. FORMERLY AND CONTAINS OWNERS PROPRIETARY INFORMATION. ANY PERSON, CORPORATION OR OTHER FIRM RECEIVING IT IS DEEMED BY RECEIVING IT, TO AGREE THAT IT, AND/OR ANY PART OF IT, SHALL NOT BE DISCLOSED TO ANY PERSON, CORPORATION OR OTHER ENTITY, DUPLICATED, AND/OR USED, EXCEPT AS EXPRESSLY APPROVED IN WRITING IN ADVANCE BY OWNER. THIS DOCUMENT SHALL BE RETURNED TO OWNER UPON REQUEST. IT MAY BE SUBJECT TO CERTAIN RESTRICTIONS UNDER APPLICABLE EXPORT CONTROL LAWS AND REGULATIONS.			THIRD ANGLE PROJECTION	SIZE C	DRAWING NUMBER OL56100084-001	PROCESS/FINISH
						SHEET 1 OF 1