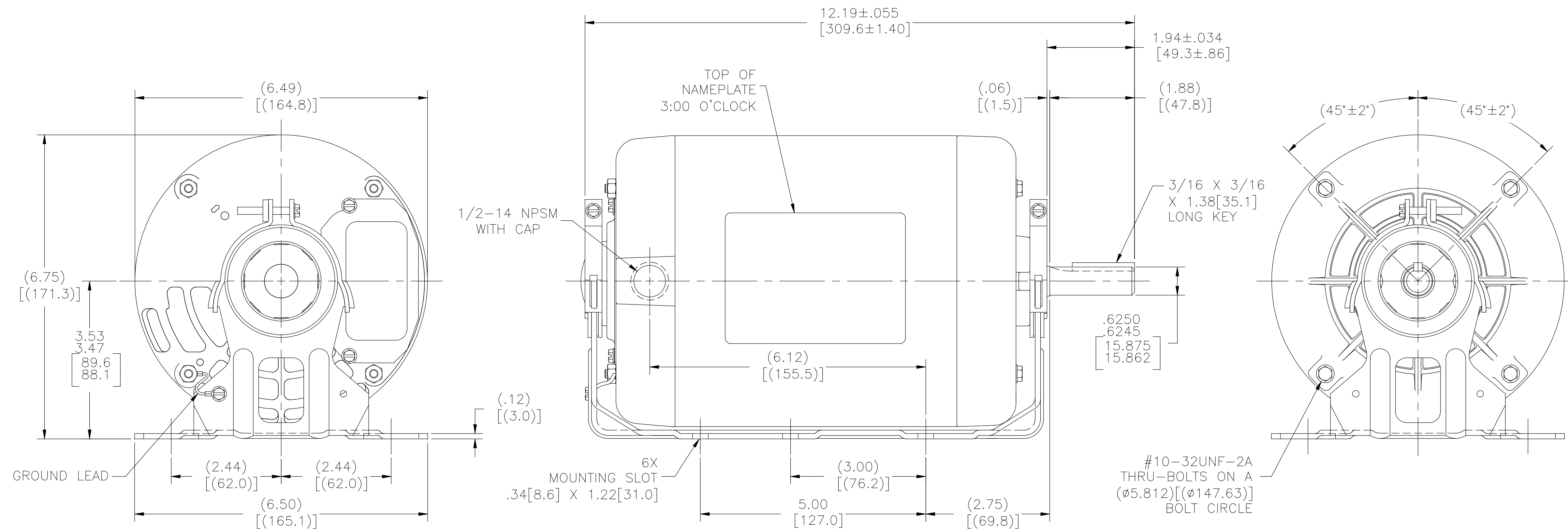


ALL DIMENSIONS SHOWN IN PARENTHESIS ARE REFERENCE DIMENSIONS.



DRAWING REVISION	REVISION BY	DATE	TOLERANCES UNLESS OTHERWISE SPECIFIED	DRAWN BY	Regal Beloit America, Inc.
F	J.H.ESS	04-26-2017	DEC: INCH mm ANGLE	D.HOLT	
ECC	J.H.ESS	04-26-2017	X ±0.1 (±2.5)	DATE:	04-30-2009
ECO	J.H.ESS	04-26-2017	XX ±0.02 (±0.51)	APPROVED BY:	S.WALLACE
ECO	J.H.ESS	04-26-2017	XXX ±0.005 (±0.127)	DATE:	04-30-2009
ECO	J.H.ESS	04-26-2017	XXXX ±0.0005 (±0.0127)	PREFERENCE	
ECO	J.H.ESS	04-26-2017	REMOVE BURRS & BREAK SHARP EDGES .003/.015 (0.076/.381) X 45°	THIRD ANGLE PROJECTION	
ECO	J.H.ESS	04-26-2017	CORNER FILLETS R.02 [L51]	SIZE [DWG NO]	H960V1
ECO	J.H.ESS	04-26-2017	MACHINED SURFACES	SHEET	1
ECO	J.H.ESS	04-26-2017	mm SHOWN IN [BRACKETS]		