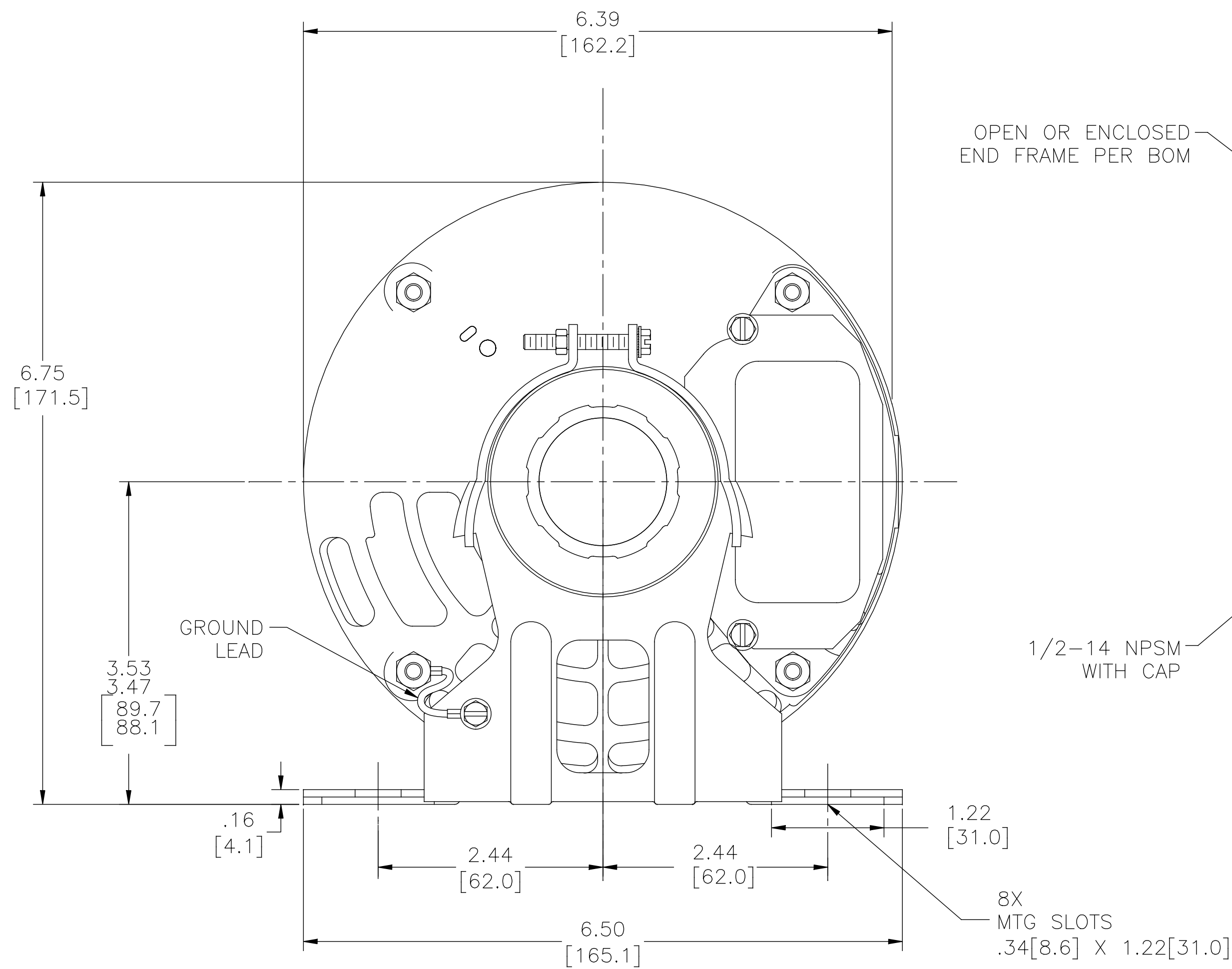
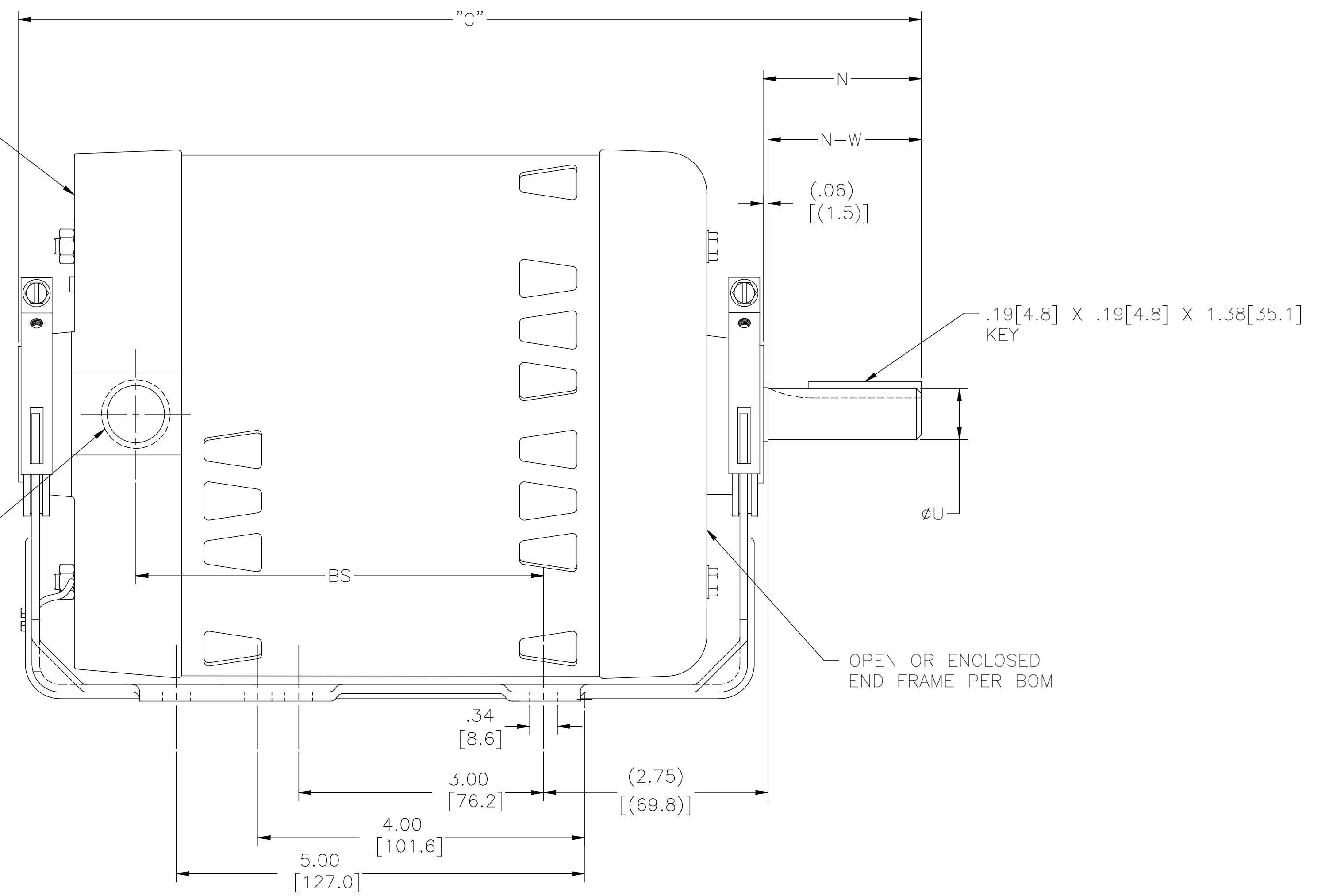


D/S	PART NUMBER	TYPE	FRAME SIZE	FORM	C	BS	N	N-W	øU
4	16729801	SC	P56HZ	K	13.81 [350.8]	7.37 [187.1]	2.31 [58.7]	2.25 [57.2]	.8750/8745 [22.225/22.212]



OPEN OR ENCLOSED  
END FRAME PER BOM

1/2-14 NPSM  
WITH CAP



SIM TO 161975

SPEC 58626

DRAWING REVISION D	REVISION BY A.BAUGHMAN	DATE 12-06-2016	TOLERANCES UNLESS OTHERWISE SPECIFIED	DRAWN BY GDM
ECD	APPROVED BY A.BAUGHMAN	DATE 12-06-2016	DEC: INCH mm ANGLE	DATE: 11-08-1983
ECD DESCRIPTION UPDATED TO NEW REGAL TITLEBLOCK			X ±0.1 ±2.51 ±0.5° XX ±0.02 ±0.511 XXX ±0.005 ±0.1271 XXXX ±0.0005 ±0.01271	APPROVED BY: DML
			REMOVE BURRS & BREAK SHARP EDGES .003/.015 (0.076/.381)X45° CORNER FILLETS R.02 (L51) MACHINED SURFACES: $\frac{1}{32}$ INCH $\sqrt{}$ mm $\sqrt{}$ mm SHOWN IN [BRACKETS]	DATE: 11-08-1983
				REFERENCE
				THIRD ANGLE PROJECTION
				DESCRIPTION MODEL-CFHP-56FR OUTLINE
				MATERIAL PROCESS/FINISH
				SIZE DWG NO D 167298
				SHEET 1