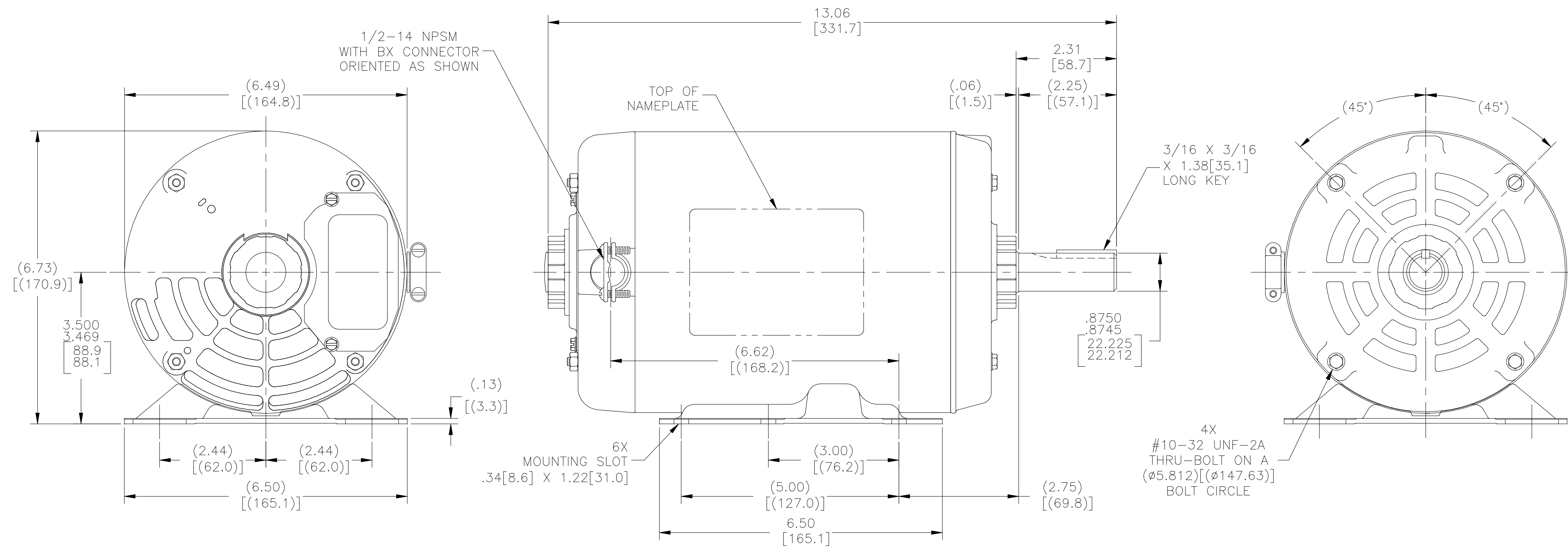


ALL DIMENSIONS SHOWN IN PARENTHESIS ARE REFERENCE DIMENSIONS. ALL OTHER DIMENSIONS ARE TOLERANCED PER THE FOLLOWING CHART UNLESS OTHERWISE SPECIFIED.

"C" DIMENSION = ±.055[1.40]
 SHAFT EXTENSION = ±.034[.86]
 LEAD LENGTHS = ±1.00[25.4]
 EXTENDED THRU-BOLTS = ±.050[1.27]
 ANGULAR DIMENSIONS = ±2'



DRAWING REVISION C	REVISION BY J.H.ESS	DATE 09-20-2017	TOLERANCES UNLESS OTHERWISE SPECIFIED DEC. INCH mm ANGLE	DRAWN BY D.HOLT	Regal Beloit America, Inc.
0131628	J.H.ESS	09-20-2017	X ±0.1 ±2.5 ±0.5° XX ±0.02 ±0.511 XXX ±0.005 ±0.1271	DATE 06-08-2009	
EOOD DESCRIPTION UPDATED TITLE BLOCK			REMOVE BURRS & BREAK SHARP EDGES .0031015 [076.3811] X 45° CORNER FILLETS R.02 [5.1]	APPROVED BY S.WALLACE	DESCRIPTION OUTLINE
COPYRIGHT REGAL BELOIT AMERICA, INC. ALL RIGHTS RESERVED. PROPRIETARY AND CONFIDENTIAL INFORMATION - THIS DOCUMENT IS THE PROPERTY OF REGAL BELOIT AMERICA, INC. (OWNER) AND CONTAINS OWNER'S PROPRIETARY INFORMATION. ANY REPRODUCTION OR OTHER FORM REUSE OF THIS DOCUMENT BY RECEIVING IT TO AGREE THAT IT AND/OR ANY PART OF IT, SHALL NOT BE DISCLOSED TO ANY PERSON, CORPORATION OR OTHER ENTITY, AND/OR USED, EXCEPT AS EXPRESSLY APPROVED IN WRITING IN ADVANCE BY OWNER. THIS DOCUMENT SHALL BE RETURNED TO OWNER UPON REQUEST. IT MAY BE SUBJECT TO CERTAIN RESTRICTIONS UNDER APPLICABLE EXPORT CONTROL LAWS AND REGULATIONS.			MACHINED SURFACES: .0005 / .0127 THRU-BOLTS: .0005 / .0127 mm SHOWN IN [BRACKETS]	DATE 06-08-2009	MATERIAL -
			THIRD ANGLE PROJECTION	REFERENCE	PROCESS/FINISH -
				SIZE [DWG NO.] D [H951V1]	SHEET 1