

4

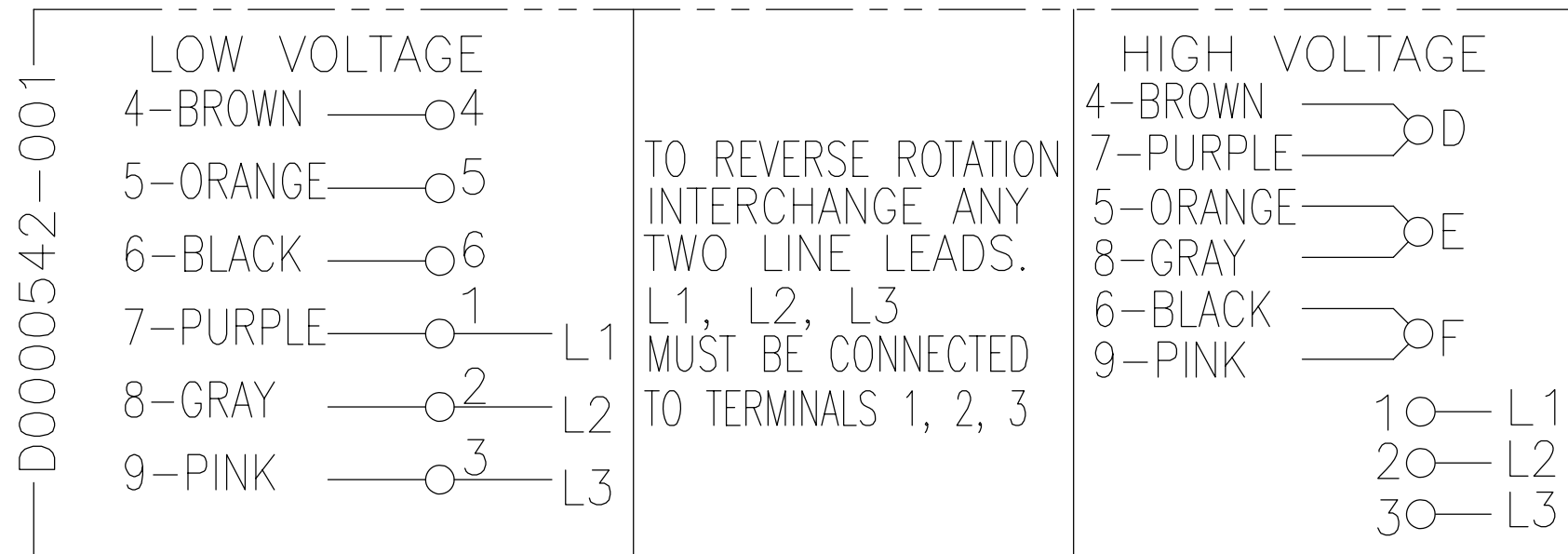
3

2

1

B

B


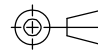


NOTES:

1. DOTTED BOX REPRESENTS TOTAL PRINTED AREA ALLOWED FOR CONNECTION DIAGRAM TO FIT IN (2.13 X .75) [(541.0 X 19.1)]. SEE NAMEPLATE DRAWING 170500 OR 170501 FOR LOCATION.
2. CHARACTERS ARE TO BE A MINIMUM OF .03[.8] TO .06[1.5] MAXIMUM IN HEIGHT.
3. DETAIL ARE NOT TO BE COPIED FROM DRAWING, BUT ARE TO BE REPRODUCED FROM ORIGINAL ARTWORK FURNISHED.

A

A

DRAWING REVISION A	REVISION BY J.AGUILERA	DATE 08-05-2014	TOLERANCES UNLESS OTHERWISE SPECIFIED		DRAWN BY: J.AGUILERA	 Regal Beloit America, Inc.
ECO 0054605	APPROVED BY D.VALENCIANO	DATE 08-05-2014	DEC.	INCH	mm	
ECO DESCRIPTION CHANGE CONN DIAGRAM-NAMEPLATE			.X	±0.1	[±2.5]	±0.5°
<small>COPYRIGHT REGAL BELOIT AMERICA, INC. ALL RIGHTS RESERVED. PROPRIETARY AND CONFIDENTIAL INFORMATION - THIS DOCUMENT IS THE PROPERTY OF REGAL BELOIT AMERICA, INC. ("OWNER") AND CONTAINS OWNER'S PROPRIETARY INFORMATION. ANY PERSON, CORPORATION OR OTHER FIRM RECEIVING IT IS DEEMED, BY RECEIVING IT, TO AGREE THAT IT, AND/OR ANY PART OF IT, SHALL NOT BE DISCLOSED TO ANY PERSON, CORPORATION OR OTHER ENTITY, DUPLICATED, AND/OR USED, EXCEPT AS EXPRESSLY APPROVED IN WRITING IN ADVANCE BY OWNER. THIS DOCUMENT SHALL BE RETURNED TO OWNER UPON REQUEST. IT MAY BE SUBJECT TO CERTAIN RESTRICTIONS UNDER APPLICABLE EXPORT CONTROL LAWS AND REGULATIONS.</small>			.XX	±0.02	[±0.51]	
			.XXX	±0.005	[±0.127]	
			.XXXX	±0.0005	[±0.0127]	
			REMOVE BURRS & BREAK SHARP EDGES .003/.015 [.076/.381] CORNER FILLETS .02 [.51] MACHINED SURFACES			
			INCH		mm	
			mm SHOWN IN [BRACKETS]			
			THIRD ANGLE PROJECTION			
			SIZE	DWG NO		SHEET
			B	D0000542-001		1

4

3

2

1