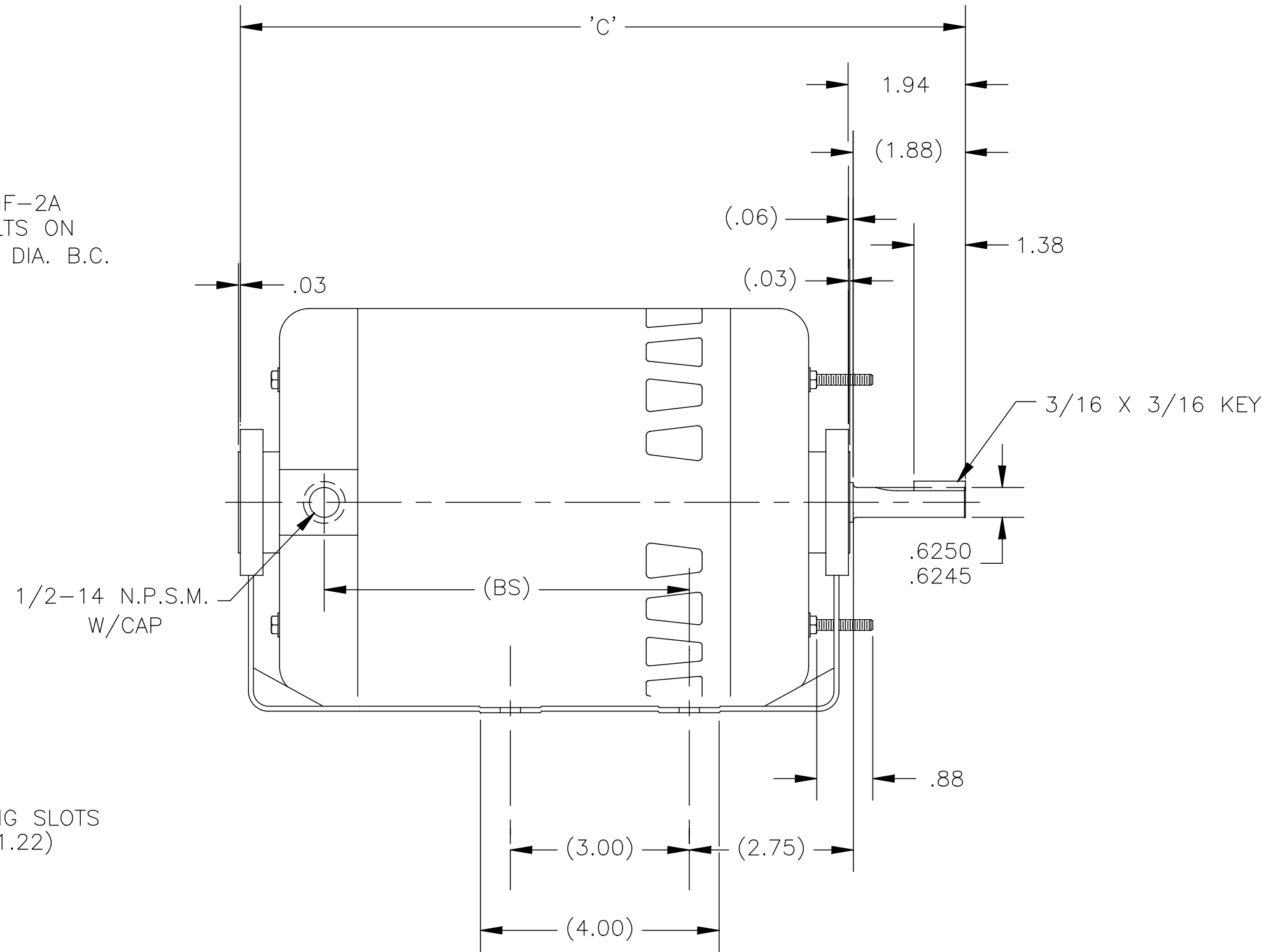
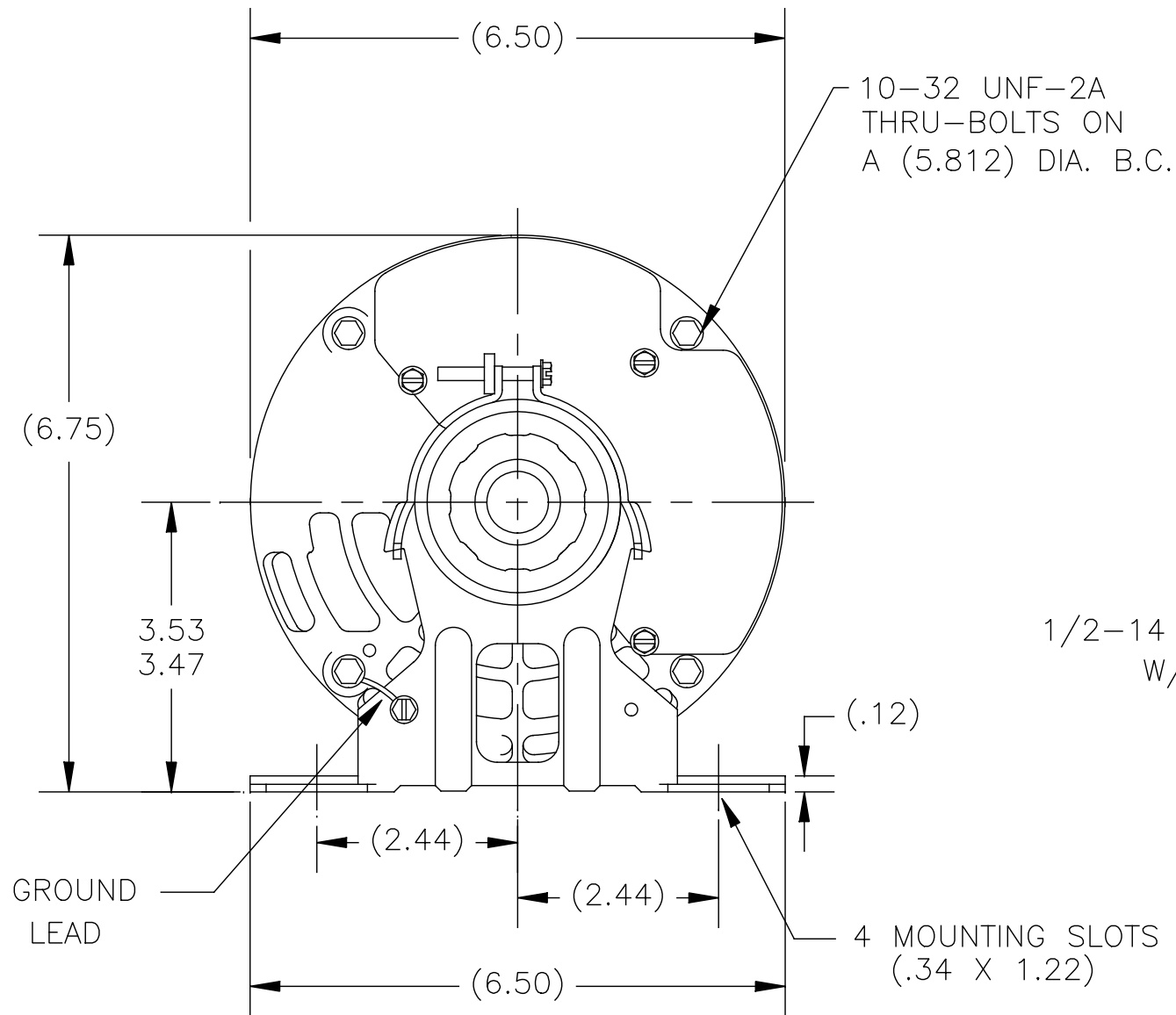


GROUP	TYPE	FRAME	FORM	'C' DIM	'BS' DIM
-001	SC	M56	K	12.69	6.63



BRACKETS MAY BE OPEN OR ENCLOSED AS REQUIRED ON PROCESS SHEET.

DRAWING REVISION D	REVISION BY A.BAUGHMAN	DATE 10-31-2016	TOLERANCES UNLESS OTHERWISE SPECIFIED DEC. INCH mm ANGLE .X ±0.1 [±2.5] ±0.5° .XX ±0.02 [±0.51] .XXX ±0.005 [±0.127] .XXXX ±0.0005 [±0.0127]	DRAWN BY: J.BLANKENSHIP	Regal Beloit America, Inc.
ECO ECO-0111792	APPROVED BY A.BAUGHMAN	DATE 10-31-2016	REMOVE BURRS & BREAK SHARP EDGES .003/.015 [.076/.381] X 45° CORNER FILLETS R.02 [.51]	DATE: 07-28-2004	
ECO DESCRIPTION UPDATED TO NEW REGAL TITLEBLOCK			MACHINED SURFACES 125/INCH 3.2/mm	APPROVED BY:	DESCRIPTION OUTLINE
<small>COPYRIGHT REGAL BELOIT AMERICA, INC. ALL RIGHTS RESERVED. PROPRIETARY AND CONFIDENTIAL INFORMATION - THIS DOCUMENT IS THE PROPERTY OF REGAL BELOIT AMERICA, INC. (OWNER) AND CONTAINS OWNER'S PROPRIETARY INFORMATION. ANY PERSON, CORPORATION OR OTHER FIRM RECEIVING IT IS DEEMED, BY RECEIVING IT, TO AGREE THAT IT, AND/OR ANY PART OF IT, SHALL NOT BE DISCLOSED TO ANY PERSON, CORPORATION OR OTHER ENTITY, DUPLICATED, AND/OR USED, EXCEPT AS EXPRESSLY APPROVED IN WRITING IN ADVANCE BY OWNER. THIS DOCUMENT SHALL BE RETURNED TO OWNER UPON REQUEST. IT MAY BE SUBJECT TO CERTAIN RESTRICTIONS UNDER APPLICABLE EXPORT CONTROL LAWS AND REGULATIONS.</small>				DATE:	
				REFERENCE	MATERIAL
				THIRD ANGLE PROJECTION	PROCESS/FINISH
				SIZE DWG NO C 18855201	SHEET 1