

4

3

2

1

REV	ECO	REV BY	DATE	APPD	DATE
C	0025552	L.HEREDIA	05-01-2012	M.AVILA	05-01-2012

D

D

C

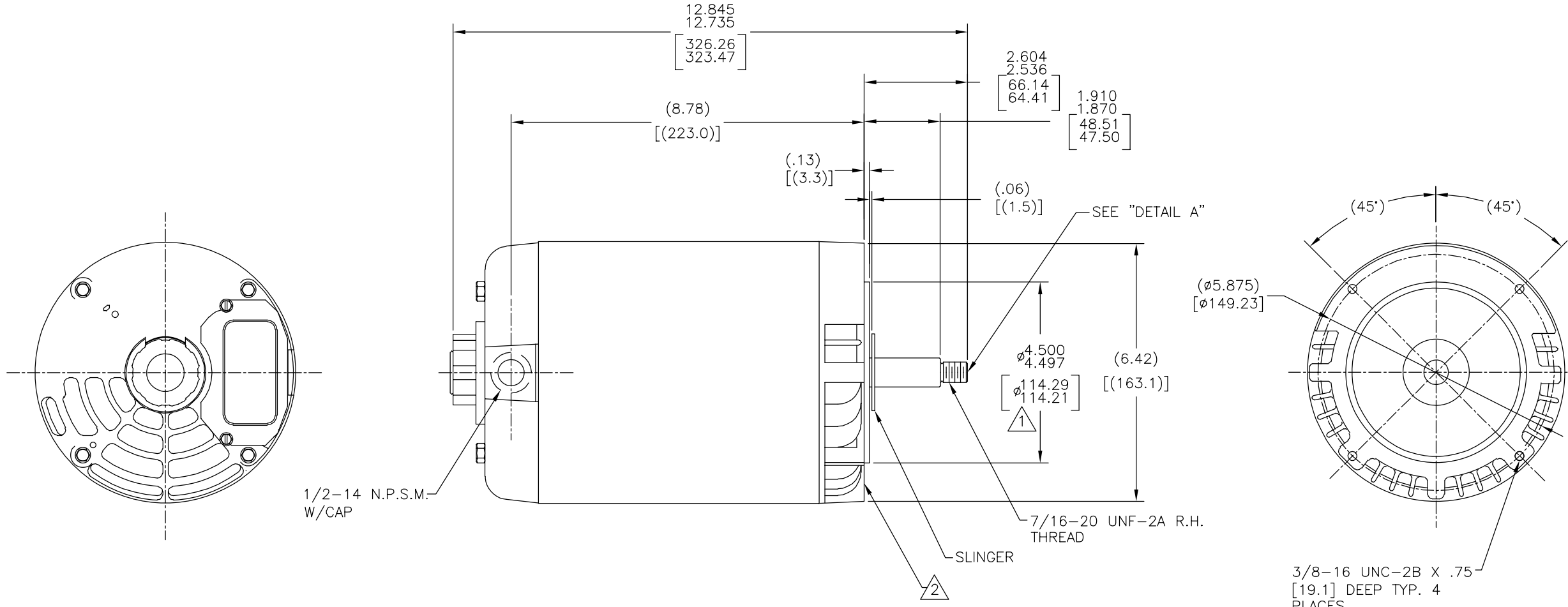
C

B

B

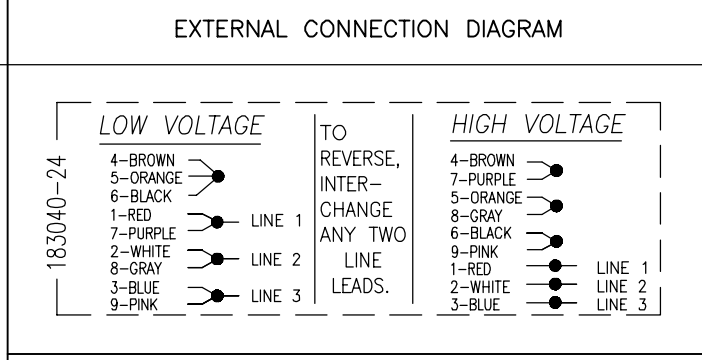
A

A



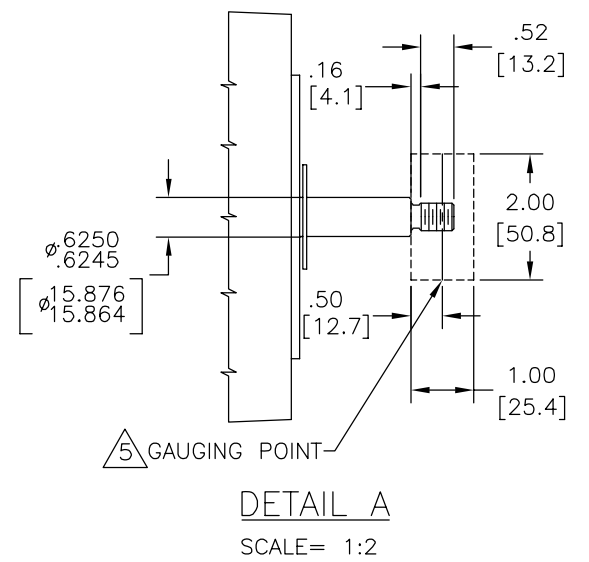
1/2-14 N.P.S.M. W/CAP

NAMEPLATE DATA
MODEL: 182595 CUST. P/N: H734 HP: 3.0 SF: 1.15 ROT: RCW RPM: 3450 TYPE: SC CODE: F FRAME: N 56 J VOLTS: 200-230/460 AMPS: SF 9.8-9.6/4.8 MAX AMPS: PH: 3 HZ: 60 INS: B AMB: 40°C DUTY: CONT



PERFORMANCE CURVE NO.	APPROVED SAMPLE OR REF. MODEL		
14817921			
UL COMPONENT	CSA		
FILE#	CCN#	FILE#	CLASS#
E44549	PRGY2	LR4642	4211-01
ENCLOSURE: ODP		CUSTOMER: DISTRIBUTION	

- NOTES:
- PILOT DIAMETER IS CONCENTRIC WITH SHAFT CENTERLINE WITHIN .004 T.I.R.
  - FACE OF MOUNTING FLANGE IS PERPENDICULAR TO SHAFT CENTERLINE WITHIN .004 T.I.R.
  - SHAFT RUNOUT NOT TO EXCEED .002 T.I.R.
  - FOR THREADED SHAFT EXT. MATING PARTS SHOULD BE RELIEVED ONE THREAD TO CLEAR FILLET.
  - FOR THREADER SHAFT EXT. ECCENTRICITY OF THREADED PORTION OF SHAFT IS HELD WITHIN .004 TOTAL GAGE READING WITH THE INDICATOR ON O.D. OF GROUND RING AS SHOWN. THE GAGE BEING STATIONARY WITH RESPECT TO THE ROTOR.
  - END PLAY NOT TO EXCEED .010 MEASURED WITH NO THRUST



GEOMETRIC CHARACTERISTICS & SYMBOLS
□ FLATNESS — STRAIGHTNESS ∠ ANGULARITY ⊥ PERPENDICULARITY (SQUARENESS) ∥ PARALLELISM ○ ROUNDNESS (CIRCULARITY) ∅ CYLINDRICITY △ PROFILE OF ANY SURFACE ∩ PROFILE OF ANY LINE ↗ RUNOUT ⊕ TRUE POSITION ⊙ CONCENTRICITY = SYMMETRY

UNLESS OTHERWISE SPECIFIED DIM. TOLERANCES ARE AS FOLLOWS:
INCH X XX XXX XXXX ±.1 ±.02 ±.005 ±.0005 mm ±0.5 ±0.13 ±0.013 ANG. ±.50 DEG REMOVE BURRS & BREAK SHARP EDGES: INCH .003-.015 mm 0.1-0.4 CORNER FILLETS TO: INCH .020 mm 0.5 MACHINE SURFACES: INCH 125 mm 3.2

DR BY: KHR	09-07-2005
APPD:	
THIRD ANGLE PROJECTION	EDS DATE 11-11-2011 FORMAT REV G
CONFIDENTIAL: THIS DRAWING AND ITS INFORMATION ARE THE EXCLUSIVE AND CONFIDENTIAL PROPERTY OF REGAL-BELOIT CORPORATION AND ARE NOT TO BE DISCLOSED, DUPLICATED, DISTRIBUTED OR OTHERWISE USED WITHOUT THE WRITTEN CONSENT OF REGAL-BELOIT CORPORATION. -ALL RIGHTS RESERVED.	

DESCRIPTION: MODEL-CFHP-56FR OUTLINE	
SIZE: C	DWG NO: 12686-003
SCALE: NONE	SHEET 1

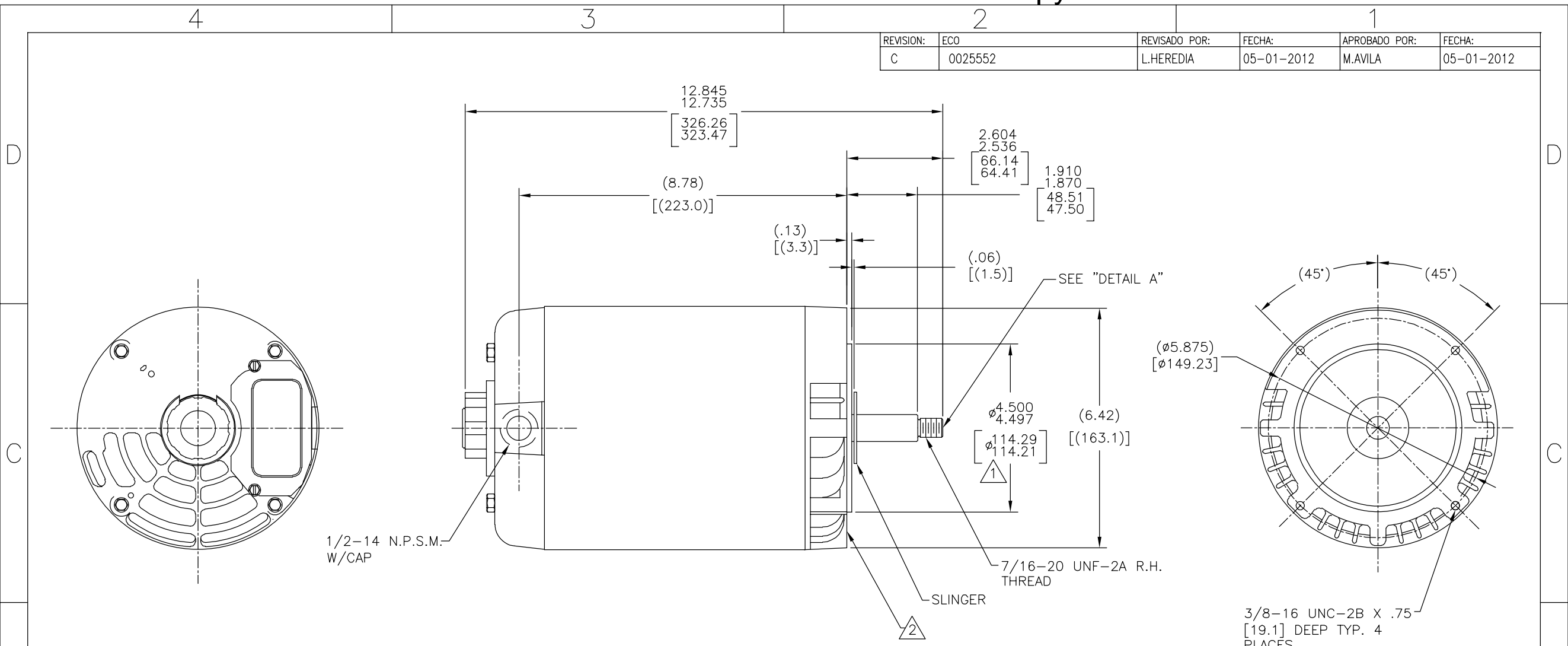
4

3

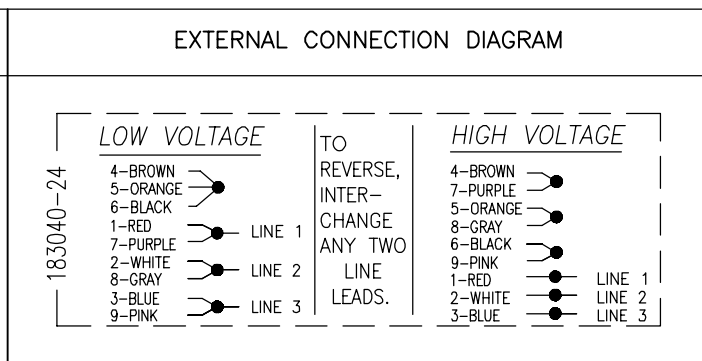
2

1

REVISION:	ECO	REVISADO POR:	FECHA:	APROBADO POR:	FECHA:
C	0025552	L.HEREDIA	05-01-2012	M.AVILA	05-01-2012



NAMEPLATE DATA
MODEL: 182595 CUST. P/N: H734 HP: 3.0 SF: 1.15 ROT: RCW RPM: 3450 TYPE: SC CODE: F FRAME: N 56 J VOLTS: 200-230/460 AMPS: SF 9.8-9.6/4.8 MAX AMPS: PH: 3 HZ: 60 INS: B AMB: 40°C DUTY: CONT



PERFORMANCE CURVE NO.		APPROVED SAMPLE OR REF. MODEL	
14817921			
UL COMPONENT		CSA	
FILE#	CCN#	FILE#	CLASS#
E44549	PRGY2	LR4642	4211-01
ENCLOSURE: ODP		CUSTOMER: DISTRIBUTION	

NOTES:

1. PILOT DIAMETER IS CONCENTRIC WITH SHAFT CENTERLINE WITHIN .004 T.I.R.

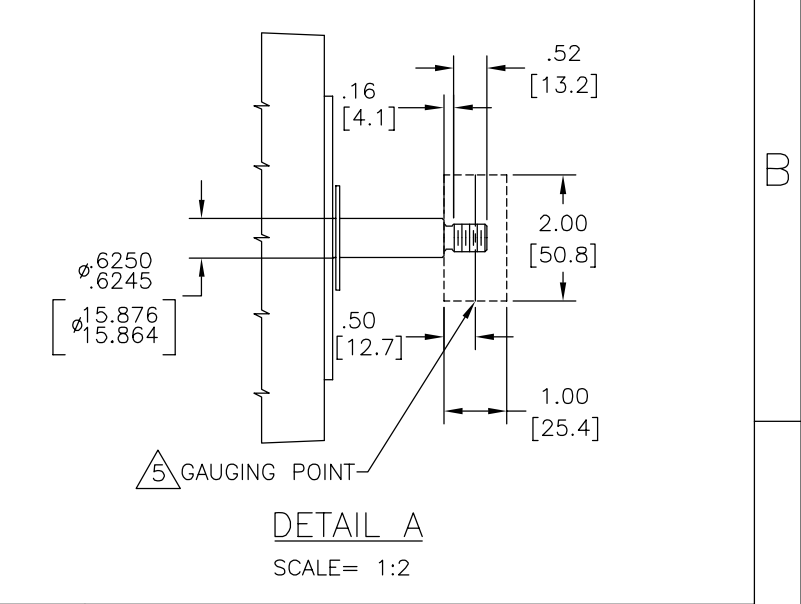
2. FACE OF MOUNTING FLANGE IS PERPENDICULAR TO SHAFT CENTERLINE WITHIN .004 T.I.R.

3. SHAFT RUNOUT NOT TO EXCEED .002 T.I.R.

4. FOR THREADED SHAFT EXT. MATING PARTS SHOULD BE RELIEVED ONE THREAD TO CLEAR FILLET.

5. FOR THREADER SHAFT EXT. ECCENTRICITY OF THREADED PORTION OF SHAFT IS HELD WITHIN .004 TOTAL GAGE READING WITH THE INDICATOR ON O.D. OF GROUND RING AS SHOWN. THE GAGE BEING STATIONARY WITH RESPECT TO THE ROTOR.

6. END PLAY NOT TO EXCEED .010 MEASURED WITH NO THRUST



CARACTERISTICAS DE GEOMETRIA Y SIMBOLOS
□ PLANICIDAD ⊥ RECTITUD ∠ ANGULARIDAD ⊥ PERPENDICULARIDAD (A ESCUADRA) // PARALELISMO ○ REDONDEZ (CIRCULARIDAD) ∅ CILINDRICIDAD △ PERFIL DE CUALQUIER SUPERFICIE ∩ PERFIL DE CUALQUIER LINEA ↗ VARIACION ⊕ POSICION REAL ⊙ CONCENTRICIDAD = SIMETRIA

ASME Y14.5M 1994
DIMS METRICAS MOSTRADAS [PARENTESIS]

A MENOS QUE SE ESPECIFIQUE DE OTRA MANERA, LAS TOLERANCIAS DE LAS DIMS; SON LAS SIGUIENTES:
PULG ±.1 ±.02 ±.005 ±.0005 mm ±0.5 ±0.13 ±0.013 ANG. ±50 GRADOS ELIMINAR REBABAS Y ORILLAS FILOSAS DEL BORDE. PULG .003-.015 mm 0.1-0.4 FILETEAR ESQUINA: PULG .020 mm 0.5 MAQUINAR SUPERFICIES PULG 125 mm 3.2

DIBUJADO POR: KHR	09-07-2005
APROBADO POR:	
TERCER ANGULO DE PROYECCION	FECHA EDS: 11-11-2011 REV. FORMATO: G
CONFIDENCIAL: ESTE DIBUJO Y SU INFORMACION SON PROPIEDAD DE USO EXCLUSIVO Y CONFIDENCIAL DE REGAL-BELOIT CORPORATION. Y NO DEBERAN SER REVELADOS, DUPLICADOS, DISTRIBUIDOS O USARSE DE OTRA MANERA SIN EL CONSENTIMIENTO ESCRITO DE REGAL-BELOIT CORPORATION. -TODOS LOS DERECHOS RESERVADOS.	

DESCRIPCION: MODEL-CFHP-56FR OUTLINE	
TAMAÑO: C	NUMERO DE DIBUJO: 12686-003
ESCALA: NONE	HOJA: 1

4

3

2

1

版本	ECO	编制	日期	批准	日期
C	0025552	L.HEREDIA	05-01-2012	M.AVILA	05-01-2012

D

D

C

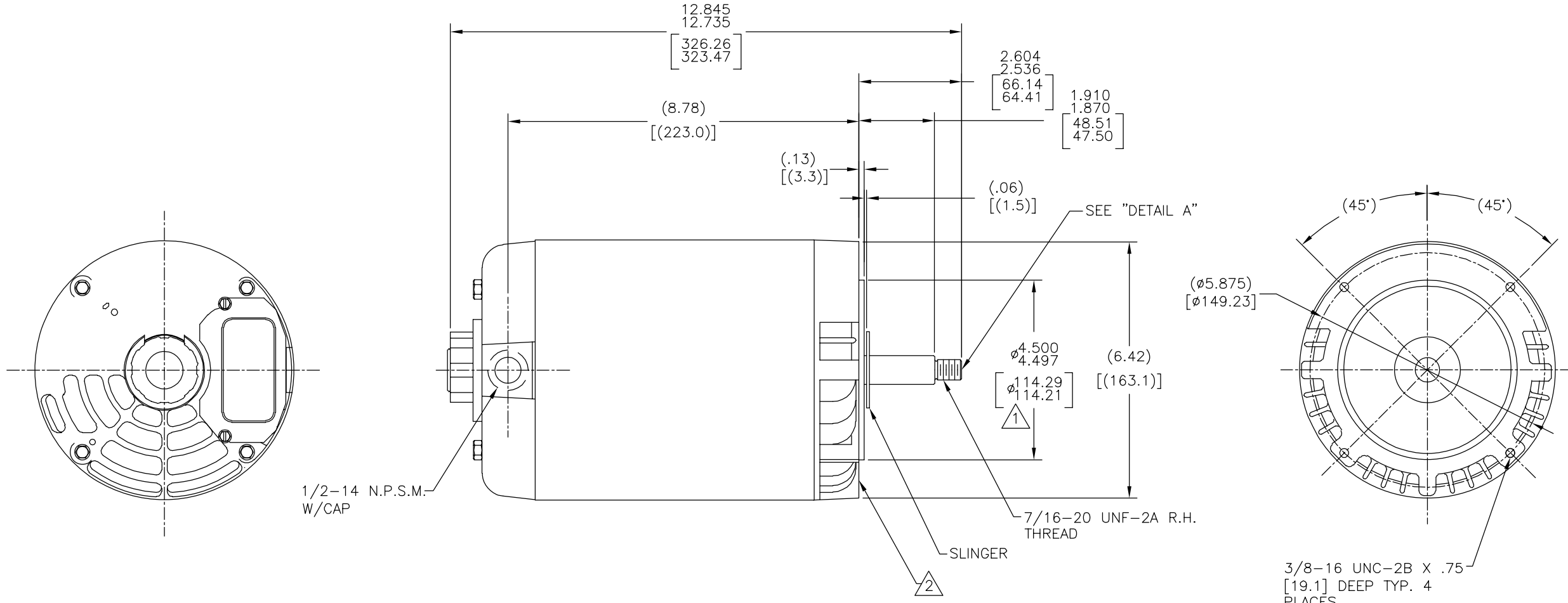
C

B

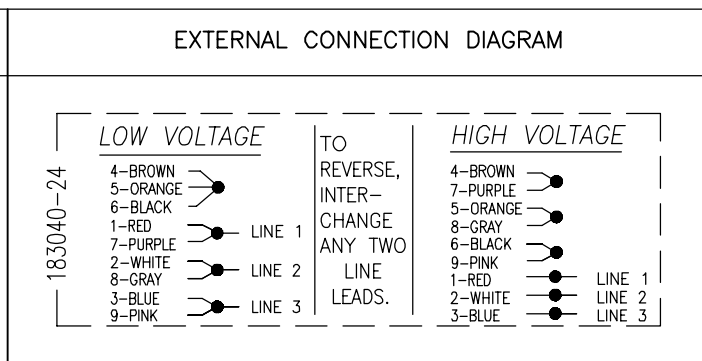
B

A

A



NAMEPLATE DATA
MODEL: 182595
CUST. P/N: H734
HP: 3.0
SF: 1.15
ROT: RCW
RPM: 3450
TYPE: SC
CODE: F
FRAME: N 56 J
VOLTS: 200-230/460
AMPS: SF 9.8-9.6/4.8
MAX AMPS:
PH: 3
HZ: 60
INS: B
AMB: 40°C
DUTY: CONT



PERFORMANCE CURVE NO.		APPROVED SAMPLE OR REF. MODEL	
14817921			
UL COMPONENT		CSA	
FILE#	CCN#	FILE#	CLASS#
E44549	PRGY2	LR4642	4211-01
ENCLOSURE: ODP		CUSTOMER: DISTRIBUTION	

NOTES:

1. PILOT DIAMETER IS CONCENTRIC WITH SHAFT CENTERLINE WITHIN .004 T.I.R.

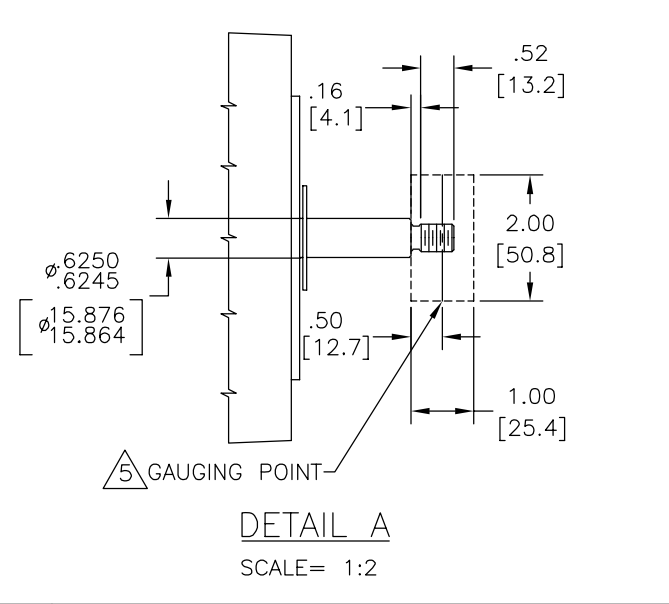
2. FACE OF MOUNTING FLANGE IS PERPENDICULAR TO SHAFT CENTERLINE WITHIN .004 T.I.R.

3. SHAFT RUNOUT NOT TO EXCEED .002 T.I.R.

4. FOR THREADED SHAFT EXT. MATING PARTS SHOULD BE RELIEVED ONE THREAD TO CLEAR FILLET.

5. FOR THREADER SHAFT EXT. ECCENTRICITY OF THREADED PORTION OF SHAFT IS HELD WITHIN .004 TOTAL GAGE READING WITH THE INDICATOR ON O.D. OF GROUND RING AS SHOWN. THE GAGE BEING STATIONARY WITH RESPECT TO THE ROTOR.

6. END PLAY NOT TO EXCEED .010 MEASURED WITH NO THRUST



形位公差	除另有注明
□ 平面度	尺寸公差如下:
— 直线度	英寸 X XX XXX XXXX
∠ 倾斜度	英寸 ±.1 ±.02 ±.005 ±.0005
⊥ 垂直度	毫米 ±0.5 ±0.13 ±0.013
// 平行度	角度 ±.50度
○ 圆度	清理毛刺和尖棱
⊘ 圆柱度	英寸 .003-.015 毫米 0.1-0.4
△ 面轮廓度	内圆角
∇ 线轮廓度	英寸 .020 毫米 0.5
∩ 圆跳动	表面粗糙度
⊕ 位置度	英制 125 米制 3.2
⊙ 同轴度	米制尺寸显示在 [ ]
≡ 对称度	

ASME Y14.5M 1994
------------------

绘图: KHR	09-07-2005
批准:	
第三角投影	图纸格式发布日期 11-11-2011 图纸格式版本 G
机密: 本图纸及相关信息所有权归REGAL-BELOIT CORPORATION. 未经REGAL-BELOIT CORPORATION书面授权, 不得泄露、复制、传播或作其他用途。—版权所有	

REGAL-BELOIT CORPORATION	
名称: MODEL-CFHP-56FR OUTLINE	
图幅: C	图号: 12686-003
比例: NONE	页号: 1

4

3

2

1