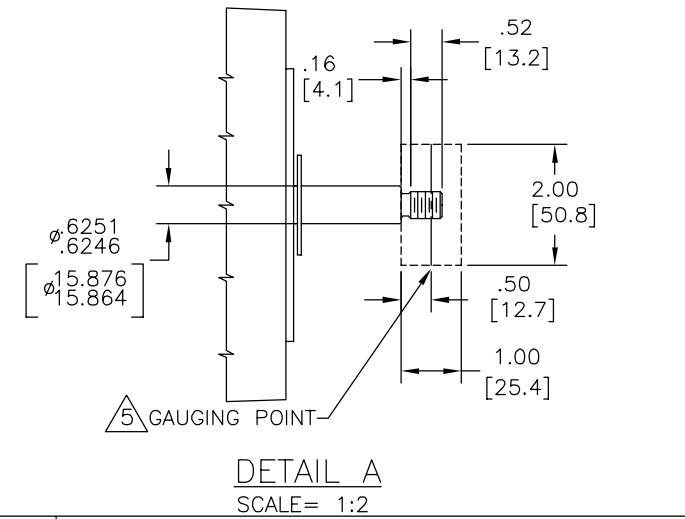
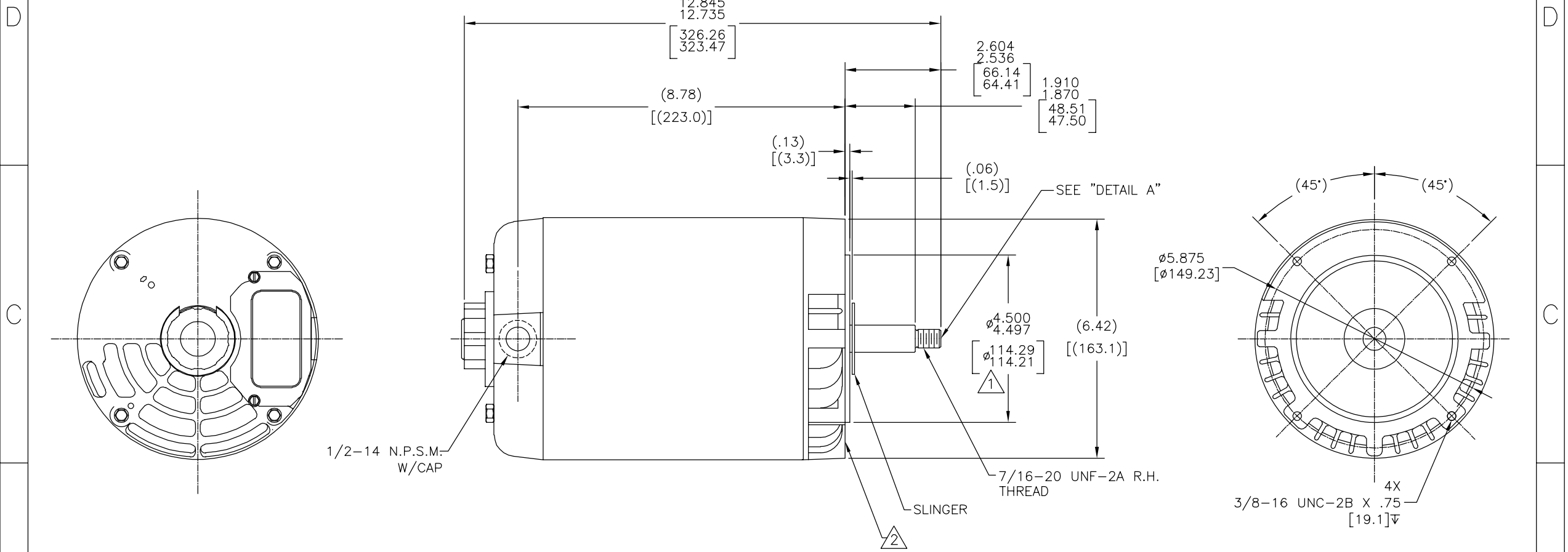
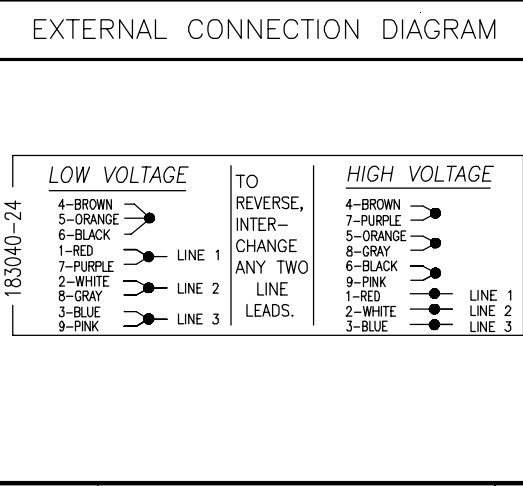


REV	ECO	REV BY	DATE	APPD	DATE
D	0043365	G. RODRIGUEZ	01-16-2014	TERESITA REYES	01-16-2014



NAMEPLATE DATA	
MODEL: 182591	CUST PN: H733
HP: 2.0	SF: 1.20
ROT: RCW	
RPM: 3450/2850	
TYPE: SC	CODE: K
FORM:	FRAME: N 56 J
VOLTS: 200-230/460	
AMPS: SF 6.8-6.6/3.3	
MAX AMPS:	
SF AMPS: -	
PH: 3	HZ: 60/50
INS: B	AMB: 40°C
DUTY: CONT	
ENCLOSURE: ODP	
THERMALLY PROTECTED	



- NOTES
- PILOT DIAMETER IS CONCENTRIC WITH SHAFT  $\pm$  WITHIN .004[.10] T.I.R.
  - FACE OF MOUNTING FLANGE IS PERPENDICULAR TO SHAFT  $\pm$  WITHIN .004[.10] T.I.R.
  - SHAFT RUNOUT NOT TO EXCEED .002[.05] T.I.R.
  - FOR THREADED SHAFT EXT. MATING PARTS SHOULD BE RELIEVED ONE THREAD TO CLEAR FILLET.
  - FOR THREADED SHAFT EXT. ECCENTRICITY OF THREADED PORTION OF SHAFT IS HELD WITHIN .004[.10] TOTAL GAGE READING WITH THE INDICATOR ON O.D. OF GROUND RING AS SHOWN. THE GAGE BEING STATIONARY WITH RESPECT TO THE ROTOR.
  - END PLAY NOT TO EXCEED .010[.25] MEASURED WITH NO THRUST
  - ALL DIMENSIONS SHOWN IN PARENTHESIS ARE REFERENCE DIMENSIONS.

PERFORMANCE CURVE	APPROVED SAMPLE		
11506522			
UL COMPONENT	CSA		
FILE#	CCN#	FILE#	GUIDE#
E44549	PRGY2	LR4642	4211-01
CUSTOMER	DISTRIBUTION		

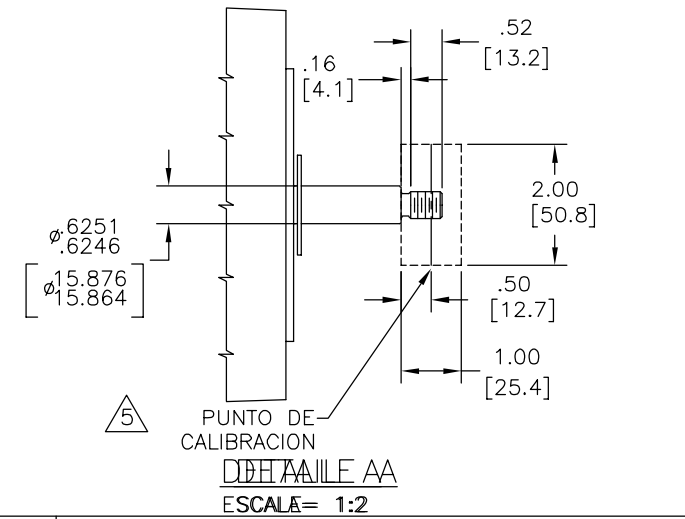
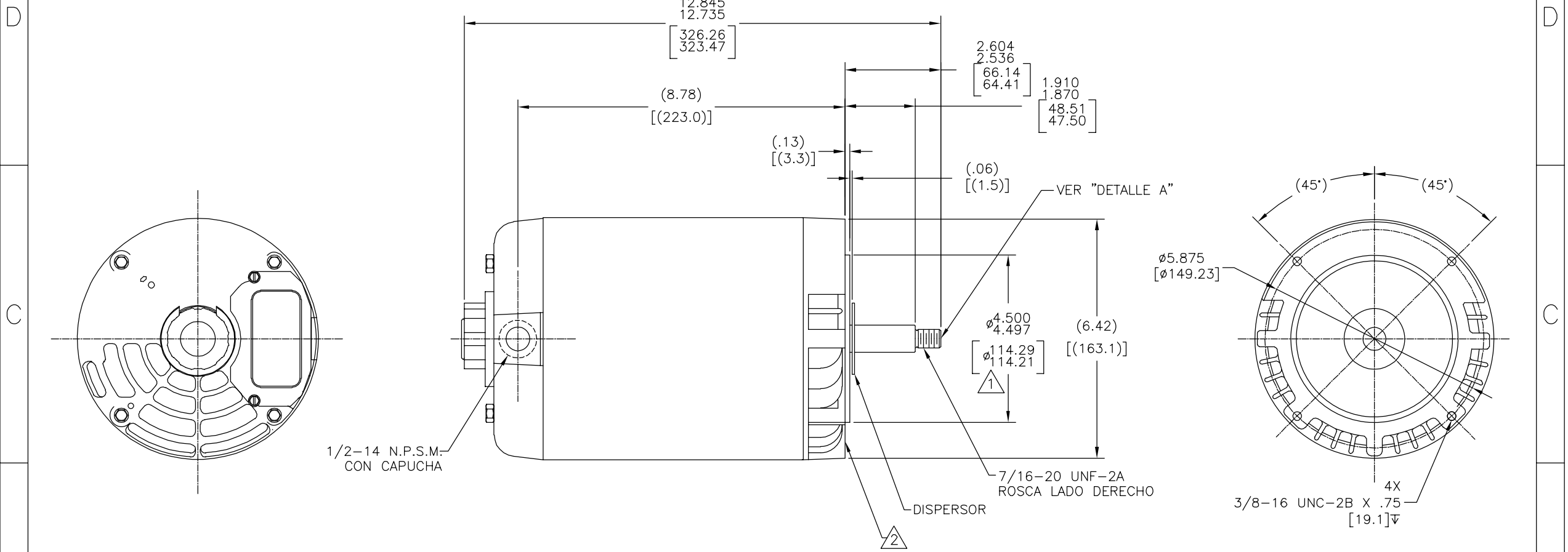
- GEOMETRIC CHARACTERISTICS & SYMBOLS
- FLATNESS
  - STRAIGHTNESS
  - ANGULARITY
  - PERPENDICULARITY (SQUARENESS)
  - PARALLELISM
  - ROUNDNESS (CIRCULARITY)
  - CYLINDRICITY
  - PROFILE OF ANY SURFACE
  - PROFILE OF ANY LINE
  - RUNOUT
  - TRUE POSITION
  - CONCENTRICITY
  - SYMMETRY
- ASME Y14.5M 1994

- UNLESS OTHERWISE SPECIFIED DIM. TOLERANCES ARE AS FOLLOWS:
- INCH  $\pm$ .1  $\pm$ .02  $\pm$ .005  $\pm$ .0005  
 mm  $\pm$ 0.5  $\pm$ 0.13  $\pm$ 0.013
- ANG.  $\pm$ 50 DEG
- REMOVE BURRS & BREAK SHARP EDGES:  
 INCH .003-.015 mm 0.1-0.4
- CORNER FILLETS TO:  
 INCH .020 mm 0.5
- MACHINE SURFACES:  
 INCH 125 mm 3.2
- METRIC DIMS. SHOWN IN [BRACKETS]

DR BY:	KHR	09-07-2005
APPD:		
THIRD ANGLE PROJECTION	EDS DATE 11-11-2011	FORMAT REV H
CONFIDENTIAL: THIS DRAWING AND ITS INFORMATION ARE THE EXCLUSIVE AND CONFIDENTIAL PROPERTY OF REGAL-BELOIT CORPORATION AND ARE NOT TO BE DISCLOSED, DUPLICATED, DISTRIBUTED OR OTHERWISE USED WITHOUT THE WRITTEN CONSENT OF REGAL-BELOIT CORPORATION. -ALL RIGHTS RESERVED.		

<b>REGAL REGAL-BELOIT CORPORATION</b>	
DESCRIPTION	
MODEL-CFHP-56FR OUTLINE	
SIZE	C
DWG NO	12686-002
SCALE	NONE
SHEET	1

REVISION:	ECO	REVISADO POR:	FECHA:	APROBADO POR:	FECHA:
D	0043365	G. RODRIGUEZ	01-16-2014	TERESITA REYES	01-16-2014



NAMEPLATE DATA	EXTERNAL CONNECTION DIAGRAM	NOTES						
MODEL: 182591 CUST PN: H733 HP: 2.0 SF: 1.20 ROT: RCW RPM: 3450/2850 TYPE: SC CODE: K FORM: FRAME: N 56 J VOLTS: 200-230/460 AMPS: SF 6.8-6.6/3.3 MAX AMPS: SF AMPS: - PH: 3 HZ: 60/50 INS: B AMB: 40°C DUTY: CONT ENCLOSURE: ODP THERMALLY PROTECTED	<table border="1"> <tr> <th>LOW VOLTAGE</th> <th>TO</th> <th>HIGH VOLTAGE</th> </tr> <tr> <td>                     4-BROWN                      5-ORANGE                      6-BLACK                      1-RED                      7-PURPLE                      2-WHITE                      8-GRAY                      3-BLUE                      9-PINK                 </td> <td>                     REVERSE,                      INTER-                      CHANGE                      ANY TWO                      LINE                      LEADS.                 </td> <td>                     4-BROWN                      7-PURPLE                      5-ORANGE                      8-GRAY                      6-BLACK                      9-PINK                      1-RED                      2-WHITE                      3-BLUE                 </td> </tr> </table>	LOW VOLTAGE	TO	HIGH VOLTAGE	4-BROWN 5-ORANGE 6-BLACK 1-RED 7-PURPLE 2-WHITE 8-GRAY 3-BLUE 9-PINK	REVERSE, INTER- CHANGE ANY TWO LINE LEADS.	4-BROWN 7-PURPLE 5-ORANGE 8-GRAY 6-BLACK 9-PINK 1-RED 2-WHITE 3-BLUE	183040-24 1. EL DIAMETRO DEL PILOTO ES CONCENTRICO AL t DE LA FLECHA ENTRE .004[.10] L.T.I. 2. BORDE DE LA CARA DEL MONTAJE ES PERPENDICULAR AL t DE LA FLECHA ENTRE .004[.10] L.T.I. 3. LA OSCILACION DE FLECHA NO DEBE EXCEDER .002[.05] L.T.I. 4. PARA ROSCADO DE EXT DE FLECHA LAS PARTES DEBEN SER RELEVADAS, ROSACADO PARA LIMPIAR EL FILETE. 5. PARA EXTENSION DE ROSCADO DE FLECHA LA EXCENTRICIDAD DE PARTE DEL ROSCADO SE MANTIENE ENTRE .004[.10] LECTURA TOTAL DEL INDICADOR ENTRE EL INDICADOR EN UN DIAMETRO EXTERNO DE ANILLO DE TIERRA COMO SE MUESTRA EL INDICADOR ESTA FIJO CON RESPECTO AL ROTOR. 6. JUEGO AXIAL NO EXCEDE .010[.25] MEDIDO SIN EMPUJE. 7. TODAS LAS DIMENSIONES MOSTRADAS EN PARENTESIS SON DIMENSIONES DE REFERENCIA.
LOW VOLTAGE	TO	HIGH VOLTAGE						
4-BROWN 5-ORANGE 6-BLACK 1-RED 7-PURPLE 2-WHITE 8-GRAY 3-BLUE 9-PINK	REVERSE, INTER- CHANGE ANY TWO LINE LEADS.	4-BROWN 7-PURPLE 5-ORANGE 8-GRAY 6-BLACK 9-PINK 1-RED 2-WHITE 3-BLUE						

PERFORMANCE CURVE	APPROVED SAMPLE	CARACTERISTICAS DE GEOMETRIA Y SIMBOLOS	A MENOS QUE SE ESPECIFIQUE DE OTRA MANERA, LAS TOLERANCIAS DE LAS DIMS; SON LAS SIGUIENTES:	DIBUJADO POR: KHR	09-07-2005	<b>REGAL-BELOIT CORPORATION</b>	
11506522	CSA	□ PLANICIDAD ⊥ RECTITUD ∠ ANGULARIDAD ⊥ PERPENDICULARIDAD (A ESCUADRA) // PARALELISMO ○ REDONDEZ (CIRCULARIDAD) ∅ CILINDRICIDAD ⊂ PERFIL DE CUALQUIER SUPERFICIE ⊂ PERFIL DE CUALQUIER LINEA ∠ VARIACION ⊕ POSICION REAL ⊙ CONCENTRICIDAD = SIMETRIA	PULG ±.1 ±.02 ±.005 ±.0005 mm ±0.5 ±0.13 ±0.013 ANG. ±.50 GRADOS ELIMINAR REBABAS Y ORILLAS FILOSAS DEL BORDE. PULG .003-.015 mm 0.1-0.4 FILETEAR ESQUINA: PULG .020 mm 0.5 MAQUINAR SUPERFICIES PULG 125 mm 3.2	TERCER ANGULO DE PROYECCION	FECHA EDS: 11-11-2011 REV. FORMATO: H		DESCRIPCION: MODEL-CFHP-56FR OUTLINE
FILE#	CCN#	FILE#	GUIDE#	CONFIDENCIAL: ESTE DIBUJO Y SU INFORMACION SON PROPIEDAD DE USO EXCLUSIVO Y CONFIDENCIAL DE REGAL-BELOIT CORPORATION. Y NO DEBERAN SER REVELADOS, DUPLICADOS, DISTRIBUIDOS O USARSE DE OTRA MANERA SIN EL CONSENTIMIENTO ESCRITO DE REGAL-BELOIT CORPORATION. -TODOS LOS DERECHOS RESERVADOS.		TAMAÑO: C	NUMERO DE DIBUJO: 12686-002
CUSTOMER	DISTRIBUTION		ASME Y14.5M 1994 DIMS METRICAS MOSTRADAS [PARENTESIS]	ESCALA: NONE	HOJA: 1		