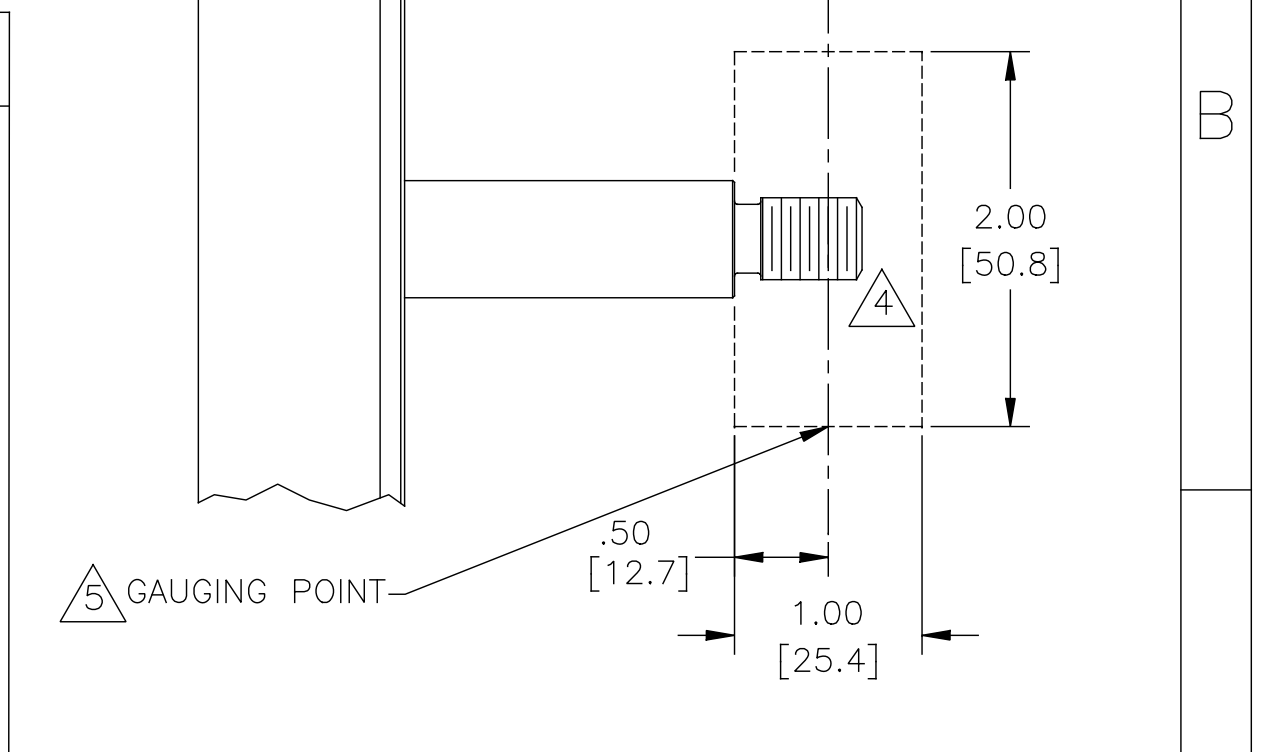


NAMEPLATE DATA		EXTERNAL CONNECTION DIAGRAM	NOTES																														
MODEL: H706ES CUST PN: - HP: 2.0 SF: 1.15 ROT: RCW RPM: 3450 TYPE: SC FORM: VOLTS: 230/460 AMPS: 5.2/2.6 MAX AMPS: - SF AMPS: - PH: 3 INS: B DUTY: CONT ENCLOSURE: TE		183040-24 <table border="0"> <tr> <td>LOW VOLTAGE</td> <td></td> <td>HIGH VOLTAGE</td> </tr> <tr> <td>4-BROWN</td> <td>TO REVERSE,</td> <td>4-BROWN</td> </tr> <tr> <td>5-ORANGE</td> <td>INTER-</td> <td>7-PURPLE</td> </tr> <tr> <td>6-BLACK</td> <td>CHANGE</td> <td>5-ORANGE</td> </tr> <tr> <td>1-RED</td> <td>ANY TWO</td> <td>8-GRAY</td> </tr> <tr> <td>7-PURPLE</td> <td>LINE</td> <td>6-BLACK</td> </tr> <tr> <td>2-WHITE</td> <td>LEADS.</td> <td>9-PINK</td> </tr> <tr> <td>8-GRAY</td> <td></td> <td>1-RED</td> </tr> <tr> <td>3-BLUE</td> <td></td> <td>2-WHITE</td> </tr> <tr> <td>9-PINK</td> <td></td> <td>3-BLUE</td> </tr> </table>	LOW VOLTAGE		HIGH VOLTAGE	4-BROWN	TO REVERSE,	4-BROWN	5-ORANGE	INTER-	7-PURPLE	6-BLACK	CHANGE	5-ORANGE	1-RED	ANY TWO	8-GRAY	7-PURPLE	LINE	6-BLACK	2-WHITE	LEADS.	9-PINK	8-GRAY		1-RED	3-BLUE		2-WHITE	9-PINK		3-BLUE	<p>△ PILOT DIAMETER IS CONCENTRIC WITH SHAFT CENTERLINE WITHIN .004 T.I.R.</p> <p>△ FACE OF MOUNTING FLANGE IS PERPENDICULAR TO SHAFT CENTERLINE WITHIN .004 T.I.R.</p> <p>3. SHAFT RUNOUT NOT TO EXCEED .002 T.I.R.</p> <p>4. FOR THREADED SHAFT EXT. MATING PARTS SHOULD BE RELIEVED ONE THREAD TO CLEAR FILLET.</p> <p>△ 5. FOR THREADER SHAFT EXT. ECCENTRICITY OF THREADED PORTION OF SHAFT IS HELD WITHIN .004 TOTAL GAGE READING WITH THE INDICATOR ON O.D. OF GROUND RING AS SHOWN. THE GAGE BEING STATIONARY WITH RESPECT TO THE ROTOR.</p> <p>6. END PLAY NOT TO EXCEED .010 MEASURED WITH NO THRUST</p> <p>7. ALL DIMENSIONS SHOWN IN PARENTHESIS ARE REFERENCE DIMENSIONS.</p>
LOW VOLTAGE		HIGH VOLTAGE																															
4-BROWN	TO REVERSE,	4-BROWN																															
5-ORANGE	INTER-	7-PURPLE																															
6-BLACK	CHANGE	5-ORANGE																															
1-RED	ANY TWO	8-GRAY																															
7-PURPLE	LINE	6-BLACK																															
2-WHITE	LEADS.	9-PINK																															
8-GRAY		1-RED																															
3-BLUE		2-WHITE																															
9-PINK		3-BLUE																															



PERFORMANCE CURVE		APPROVED SAMPLE	
SS0010536		CSA	
FILE#	CCN#	FILE#	GUIDE#
E44549	PRGY2	LR4642	4211-01
CUSTOMER	DISTRIBUTION		

DRAWING REVISION	REVISION BY	DATE	TOLERANCES UNLESS OTHERWISE SPECIFIED	DRAWN BY:
A	M. GRASTY	03-16-2016	DEC. INCH mm ANGLE	M. GRASTY
ECO	APPROVED BY	DATE	.XX ±0.1 [±2.5] ±0.5°	DATE:
ECO-0098262	J. REYNOLDS	03-16-2016	.XX ±0.02 [±0.51]	03-12-2016
SEE ECO			.XXX ±0.005 [±0.127]	APPROVED BY:
			.XXXX ±0.0005 [±0.0127]	J. REYNOLDS
			REMOVE BURRS & BREAK SHARP EDGES .003/.015 [0.076/.381]	DATE:
			CORNER FILLETS .02 [0.51]	03-12-2016
			MACHINED SURFACES 125/ mm 3.2/ INCH mm 3.2/	REFERENCE
			mm SHOWN IN [BRACKETS]	MATERIAL
				PROCESS/FINISH

DESCRIPTION	MATERIAL	PROCESS/FINISH
MODEL-CFHP-56FR OUTLINE		
THIRD ANGLE PROJECTION	SIZE DWG NO	SHEET
	C H706ES	1