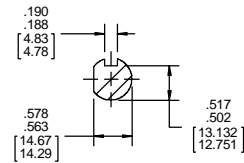
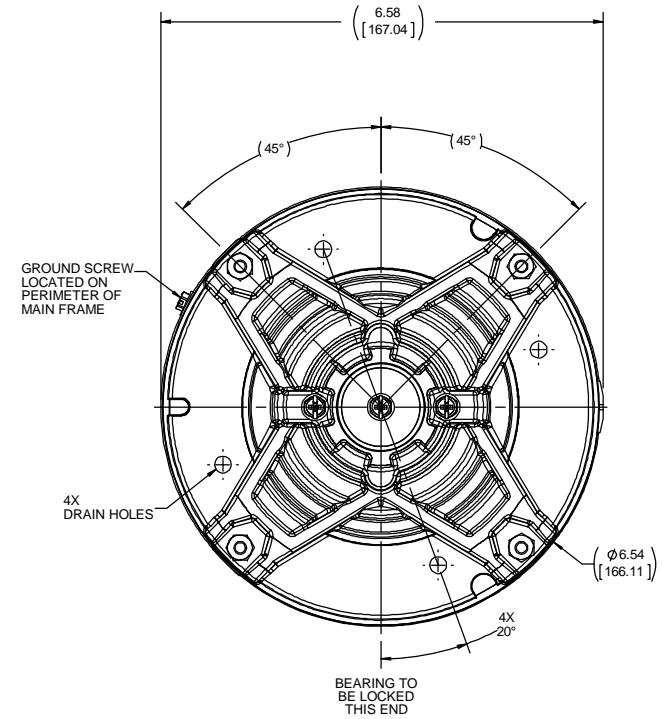
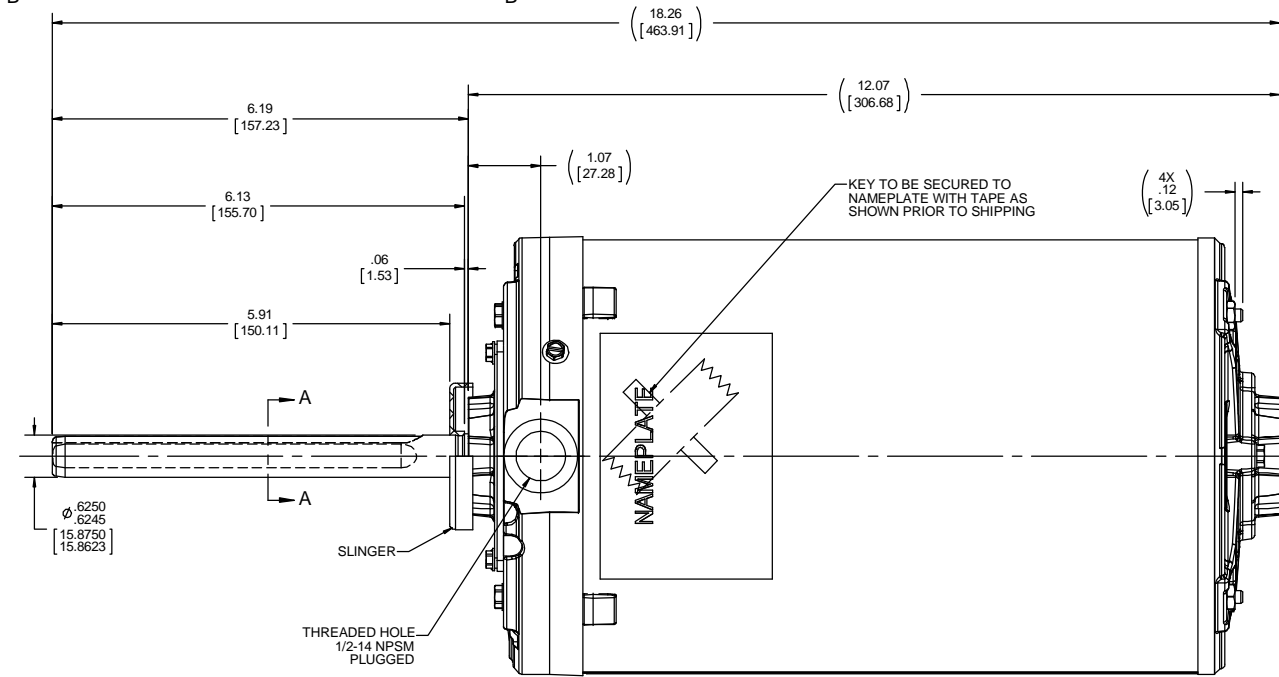
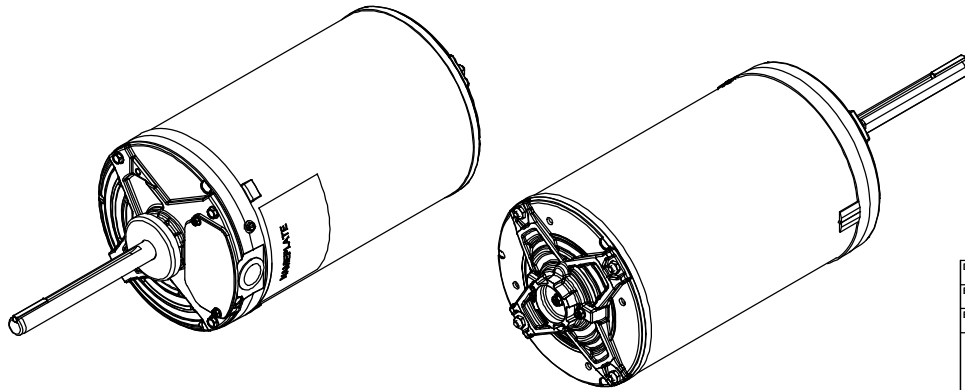


SECTION B-B



SECTION A-A



DRAWING REVISION A		REVISION BY	DATE	TOLERANCES UNLESS OTHERWISE SPECIFIED:		DRAWN BY E. VILLA		Regal Beloit America, Inc.	
ECO-0126161		APPROVED BY	DATE	DEC.	INCH	mm	ANGLE		DATE 07-04-2017
ECO DESCRIPTION NMR RELEASE				.X	±0.1	[±2.5]	±0.5°	APPROVED BY M. RAMIREZ	
<small>COPYRIGHT REGAL BELOIT AMERICA, INC. ALL RIGHTS RESERVED. PROPRIETARY AND CONFIDENTIAL INFORMATION. THIS DOCUMENT IS THE PROPERTY OF REGAL BELOIT AMERICA, INC. FORMERLY AND CONTAINING OWNERS PROPRIETARY INFORMATION. ANY PERSON, CORPORATION OR OTHER FIRM RECEIVING IT IS DEEMED BY RECEIVING IT, TO AGREE THAT IT, AND/OR ANY PART OF IT, SHALL NOT BE DISCLOSED TO ANY PERSON, CORPORATION OR OTHER ENTITY, DUPLICATED, AND/OR USED, EXCEPT AS EXPRESSLY APPROVED IN WRITING IN ADVANCE BY OWNER. THIS DOCUMENT SHALL BE RETURNED TO OWNER UPON REQUEST. IT MAY BE SUBJECT TO CERTAIN RESTRICTIONS UNDER APPLICABLE EXPORT CONTROL LAWS AND REGULATIONS.</small>				.XXX	±0.005	[±0.127]		DATE 07-04-2017	
				.XXXX	±0.0005	[±0.0127]		REFERENCE	
				REMOVE BURRS & BREAK SHARP EDGES: .003/.015 [0.076/.381] X 45° CORNER FILLETS: R.02 [.51]				THIRD ANGLE PROJECTION	SIZE C
				MACHINED SURFACES: .125 INCH/3.2 mm SHOWN IN [BRACKETS]				DRAWING NUMBER OL56100263-001	SHEET 1 OF 1