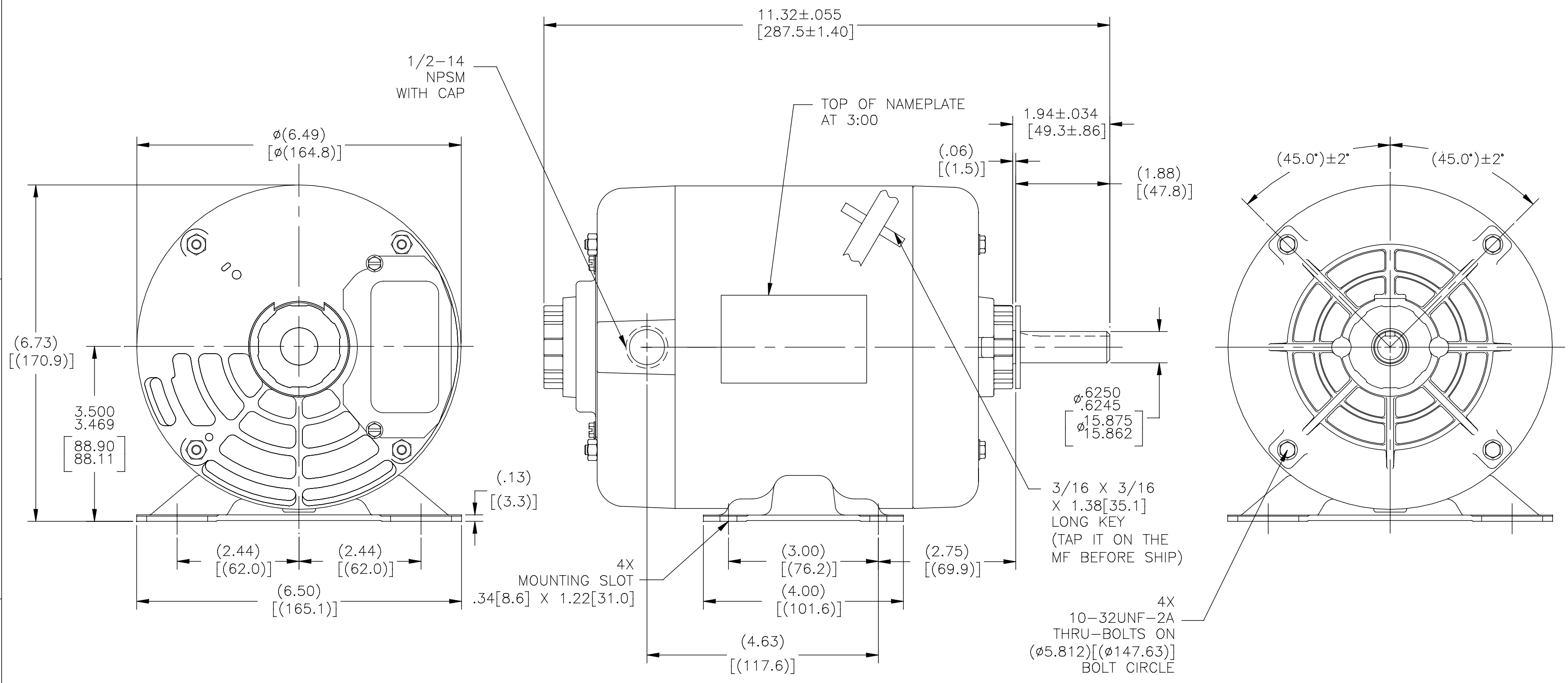


NOTE:
ALL DIMENSIONS SHOWN IN PARENTHESIS ARE REFERENCE DIMENSIONS.



DRAWING REVISION C	REVISION BY X.AN	DATE 06-26-2015	TOLERANCES UNLESS OTHERWISE SPECIFIED	DRAWN BY: Y.LIU	Regal Beloit America, Inc.	
ECO ECO-0079651	APPROVED BY H.ZHANG	DATE 06-26-2015	DEC. INCH mm ANGLE .X ±0.1 [±2.5] ±0.5° .XX ±0.02 [±0.51] .XXX ±0.005 [±0.127] .XXXX ±0.0005 [±0.0127]	DATE: 12-04-2014		
ECO DESCRIPTION SEE ECO	<small>COPYRIGHT REGAL BELOIT AMERICA, INC. ALL RIGHTS RESERVED. PROPRIETARY AND CONFIDENTIAL INFORMATION - THIS DOCUMENT IS THE PROPERTY OF REGAL BELOIT AMERICA, INC. (OWNERS) AND CONTAINS OWNERS PROPRIETARY INFORMATION. ANY PERSON, CORPORATION OR OTHER FIRM RECEIVING IT IS DEEMED, BY RECEIVING IT, TO AGREE THAT IT, AND/OR ANY PART OF IT, SHALL NOT BE DISCLOSED TO ANY PERSON, CORPORATION OR OTHER ENTITY, DUPLICATED, AND/OR USED, EXCEPT AS EXPRESSLY APPROVED IN WRITING IN ADVANCE BY OWNER. THIS DOCUMENT SHALL BE RETURNED TO OWNER UPON REQUEST. IT MAY BE SUBJECT TO CERTAIN RESTRICTIONS UNDER APPLICABLE EXPORT CONTROL LAWS AND REGULATIONS.</small>		REMOVE BURRS & BREAK SHARP EDGES .003/.015 [0.076/.381] CORNER FILLETS .02 [.51] MACHINED SURFACES $\frac{125}{\text{INCH}} \sqrt{\text{mm}^2}$	APPROVED BY: B.SHEN	DESCRIPTION MODEL-CFHP-56FR OUTLINE	
			THIRD ANGLE PROJECTION	DATE: 12-04-2014	MATERIAL	PROCESS/FINISH
			mm SHOWN IN [BRACKETS]	REFERENCE	SIZE DWG NO C H581AES	SHEET 1