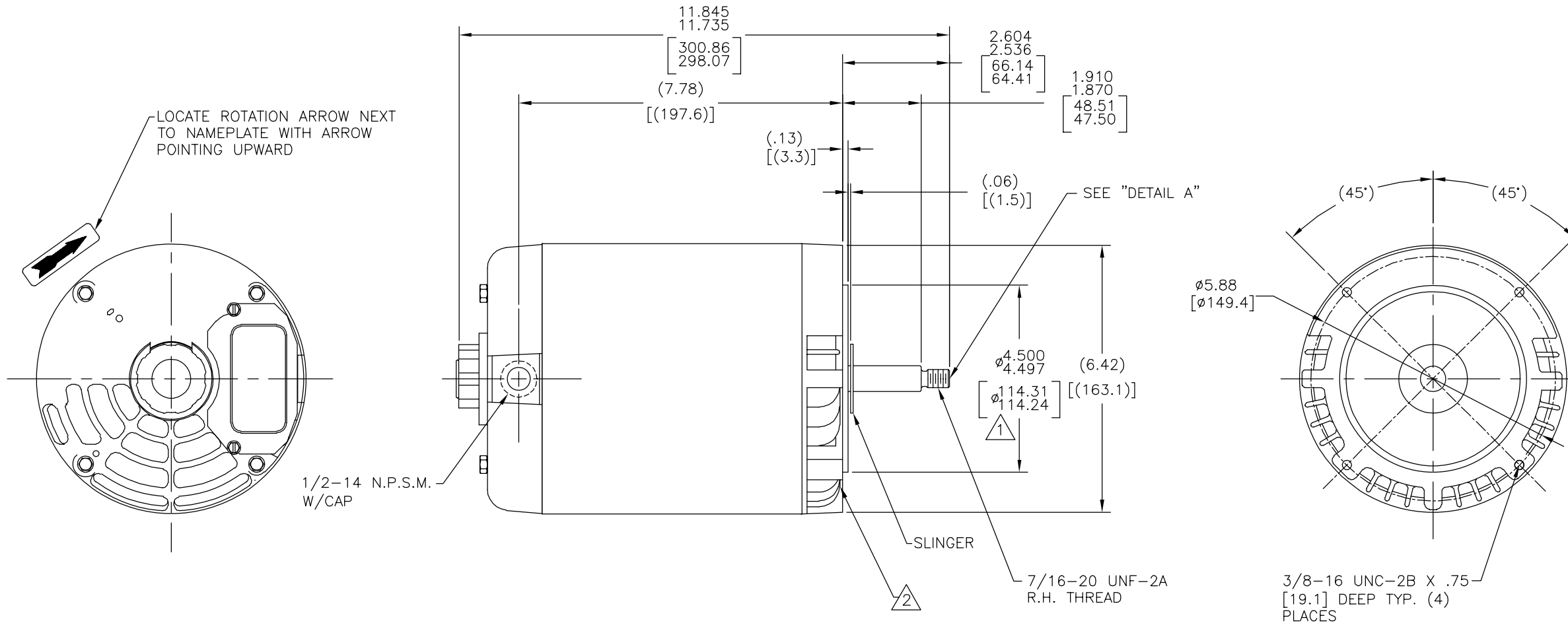
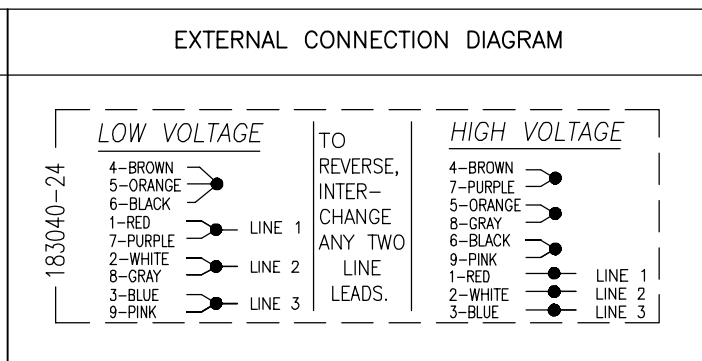


REV	ECO	REV BY	DATE	APPD	DATE
C	0025551	A. ARREOLA	04-30-2012	D. BALDERRAMA	04-30-2012

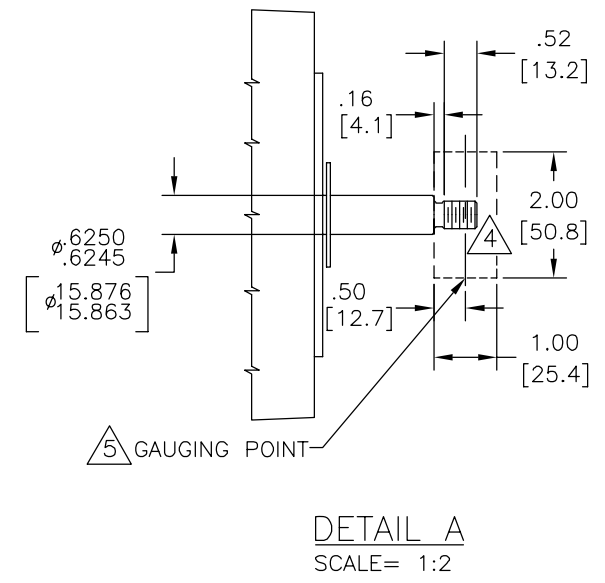


NAMEPLATE DATA
MODEL: 184747 CUST. P/N: H446 HP: 3/4 SF: 1.50 ROT: RCW RPM: 3450/2850 TYPE: SC CODE: N FRAME: L 56 J VOLTS: 208-230/460 AMPS: SF 3.4-3.4/1.7 MAX AMPS: PH: 3 HZ: 60/50 INS: B AMB: 40°C DUTY: CONT



PERFORMANCE CURVE NO.		APPROVED SAMPLE OR REF. MODEL	
18072122			
UL COMPONENT		CSA	
FILE#	CCN#	FILE#	CLASS#
E44549	PRGY2	LR4642	4211-01
ENCLOSURE: ODP		CUSTOMER: DISTRIBUTION	

- NOTES:
- 1. PILOT DIAMETER IS CONCENTRIC WITH SHAFT CENTERLINE WITHIN .004 T.I.R.
  - 2. FACE OF MOUNTING FLANGE IS PERPENDICULAR TO SHAFT CENTERLINE WITHIN .004 T.I.R.
  - 3. SHAFT RUNOUT NOT TO EXCEED .002 T.I.R.
  - 4. FOR THREADED SHAFT EXT. MATING PARTS SHOULD BE RELIEVED ONE THREAD TO CLEAR FILLET.
  - 5. FOR THREADER SHAFT EXT. ECCENTRICITY OF THREADED PORTION OF SHAFT IS HELD WITHIN .004 TOTAL GAGE READING WITH THE INDICATOR ON O.D. OF GROUND RING AS SHOWN. THE GAGE BEING STATIONARY WITH RESPECT TO THE ROTOR.
  - 6. END PLAY NOT TO EXCEED .010 MEASURED WITH NO THRUST
  - 7. ALL DIMENSIONS SHOWN IN PARENTHESIS ARE REFERENCE DIMENSIONS.



GEOMETRIC CHARACTERISTICS & SYMBOLS
□ FLATNESS — STRAIGHTNESS ∠ ANGULARITY ⊥ PERPENDICULARITY (SQUARENESS) ∥ PARALLELISM ○ ROUNDNESS (CIRCULARITY) ∅ CYLINDRICITY △ PROFILE OF ANY SURFACE ∩ PROFILE OF ANY LINE ↗ RUNOUT ⊕ TRUE POSITION ⊙ CONCENTRICITY = SYMMETRY

ASME Y14.5M 1994

REGAL-BELOIT CORPORATION (RBC) PROVIDES TECHNICAL ASSISTANCE TO OUR CUSTOMERS IN SEVERAL AREAS. SINCE RBC DOES NOT RECEIVE ALL DATA CONCERNING THE USE AND APPLICATION OF THE MOTOR, THE SUITABILITY OF THE MOTOR FOR THE APPLICATION MUST BE DETERMINED BY THE CUSTOMER.

DIMENSIONS WITHOUT TOLERANCES ARE FOR REFERENCE ONLY.

DR BY: KHR	09-08-2005
APPD:	
THIRD ANGLE PROJECTION	EDS DATE 11-11-2011 FORMAT REV G
CONFIDENTIAL: THIS DRAWING AND ITS INFORMATION ARE THE EXCLUSIVE AND CONFIDENTIAL PROPERTY OF REGAL-BELOIT CORPORATION AND ARE NOT TO BE DISCLOSED, DUPLICATED, DISTRIBUTED OR OTHERWISE USED WITHOUT THE WRITTEN CONSENT OF REGAL-BELOIT CORPORATION. -ALL RIGHTS RESERVED.	

DESCRIPTION	
MODEL-CFHP-56FR OUTLINE	
SIZE C	DWG NO 12687-003
SCALE NONE	SHEET 1

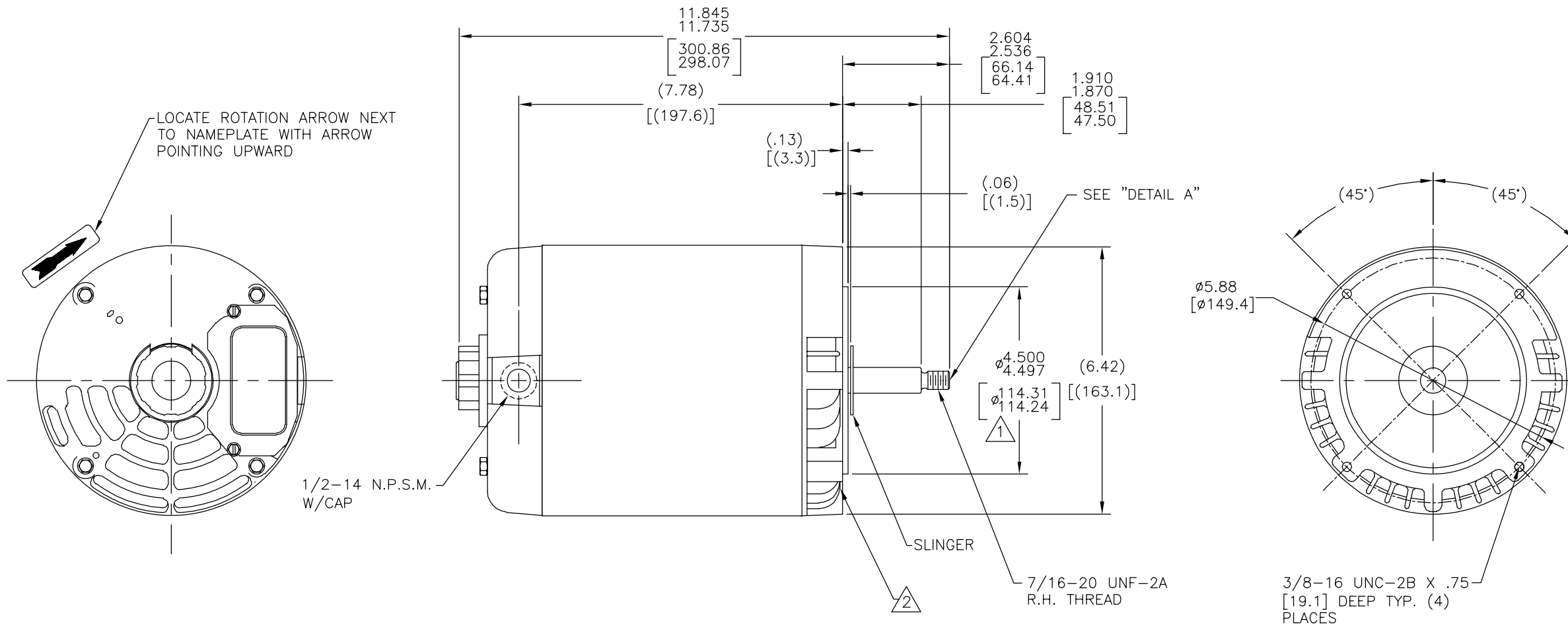
4

3

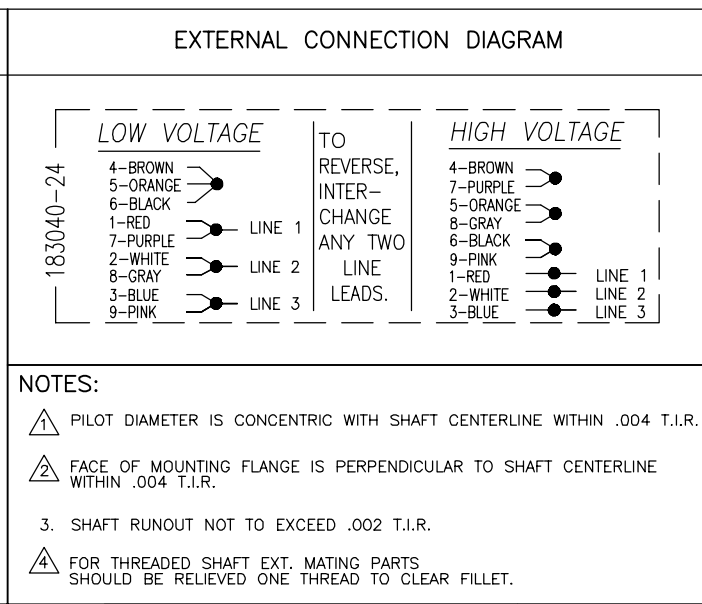
2

1

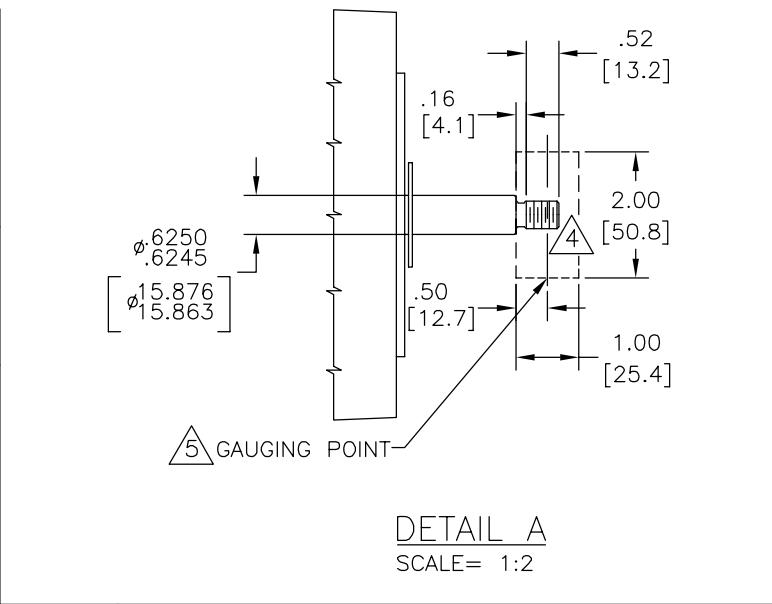
REVISION:	ECO	REVISADO POR:	FECHA:	APROBADO POR:	FECHA:
C	0025551	A. ARREOLA	04-30-2012	D. BALDERRAMA	04-30-2012



NAMEPLATE DATA
MODEL: 184747 CUST. P/N: H446 HP: 3/4 SF: 1.50 ROT: RCW RPM: 3450/2850 TYPE: SC CODE: N FRAME: L 56 J VOLTS: 208-230/460 AMPS: SF 3.4-3.4/1.7 MAX AMPS: PH: 3 HZ: 60/50 INS: B AMB: 40°C DUTY: CONT



PERFORMANCE CURVE NO.		APPROVED SAMPLE OR REF. MODEL	
18072122			
UL COMPONENT		CSA	
FILE#	CCN#	FILE#	CLASS#
E44549	PRGY2	LR4642	4211-01
ENCLOSURE: ODP		CUSTOMER: DISTRIBUTION	



CARACTERISTICAS DE GEOMETRIA Y SIMBOLOS
□ PLANICIDAD — RECTITUD < ANGULARIDAD ⊥ PERPENDICULARIDAD (A ESCUADRA) // PARALELISMO ○ REDONDEZ (CIRCULARIDAD) ∅ CILINDRICIDAD △ PERFIL DE CUALQUIER SUPERFICIE ∩ PERFIL DE CUALQUIER LINEA ↗ VARIACION ⊕ POSICION REAL ⊙ CONCENTRICIDAD = SIMETRIA

REGAL-BELOIT CORPORATION (RBC) PROVEE ASISTENCIA TECNICA A NUESTROS CLIENTES EN VARIAS AREAS. DESDE QUE RBC NO RECIBE TODOS LOS DATOS EN RELACION AL USO Y A LA APLICACION DEL MOTOR, LA APLICACION ADECUADA DEL MOTOR DEBE SER DETERMINADA POR EL CLIENTE.

DIMENSIONES SIN TOLERANCIA SON DE REFERENCIA SOLAMENTE

DIBUJADO POR: KHR	09-08-2005
APROBADO POR:	
TERCER ANGULO DE PROYECCION	FECHA EDS: 11-11-2011 REV. FORMATO: G
CONFIDENCIAL: ESTE DIBUJO Y SU INFORMACION SON PROPIEDAD DE USO EXCLUSIVO Y CONFIDENCIAL DE REGAL-BELOIT CORPORATION. Y NO DEBERAN SER REVELADOS, DUPLICADOS, DISTRIBUIDOS O USARSE DE OTRA MANERA SIN EL CONSENTIMIENTO ESCRITO DE REGAL-BELOIT CORPORATION. -TODOS LOS DERECHOS RESERVADOS.	

DESCRIPCION: MODEL-CFHP-56FR OUTLINE	
TAMAÑO: C	NUMERO DE DIBUJO: 12687-003
ESCALA: NONE	HOJA: 1

4

3

2

1

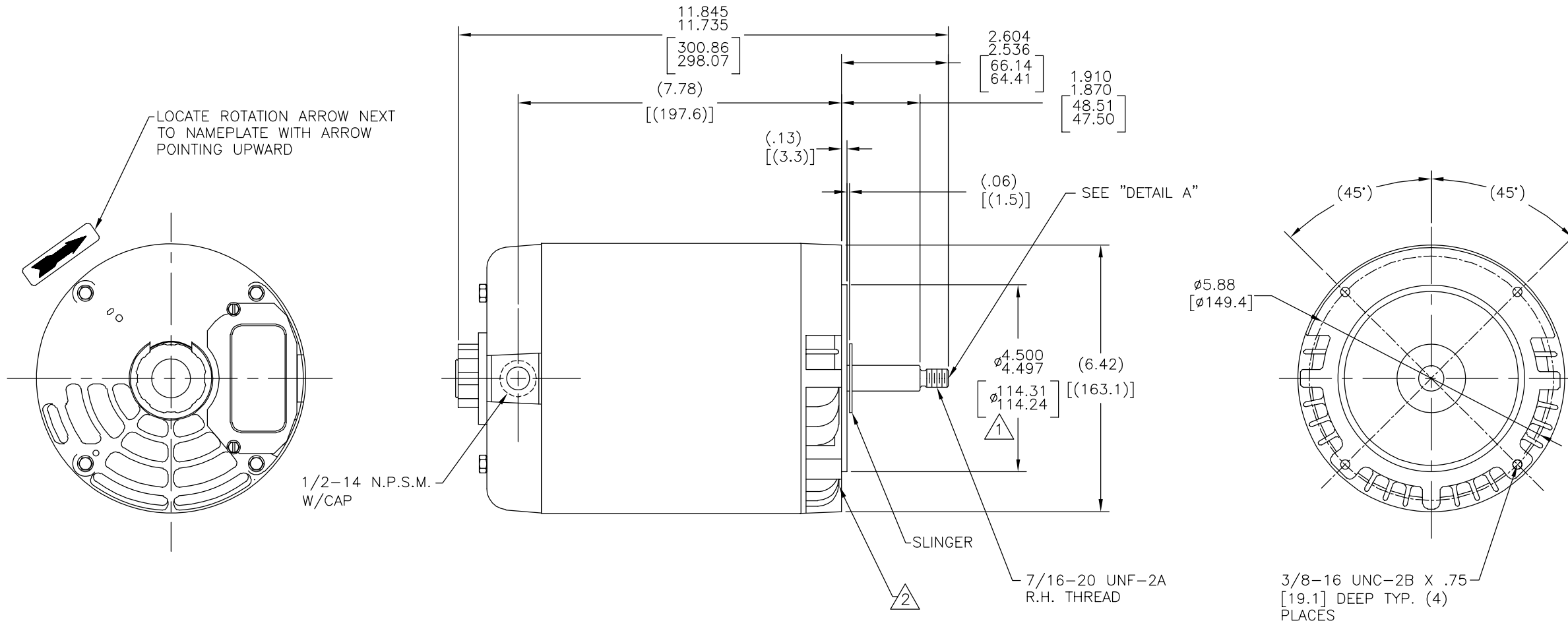
4

3

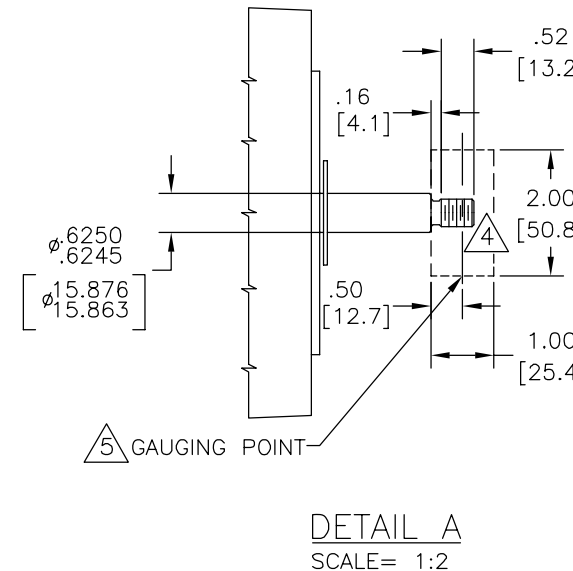
2

1

版本	ECO	编制	日期	批准	日期
C	0025551	A. ARREOLA	04-30-2012	D. BALDERRAMA	04-30-2012



NAMEPLATE DATA	EXTERNAL CONNECTION DIAGRAM	PERFORMANCE CURVE NO.	APPROVED SAMPLE OR REF. MODEL									
MODEL: 184747 CUST. P/N: H446 HP: 3/4 SF: 1.50 ROT: RCW RPM: 3450/2850 TYPE: SC CODE: N FRAME: L 56 J VOLTS: 208-230/460 AMPS: SF 3.4-3.4/1.7 MAX AMPS: PH: 3 HZ: 60/50 INS: B AMB: 40°C DUTY: CONT	<table border="1"> <tr> <th>LOW VOLTAGE</th> <th>TO REVERSE, INTER-CHANGE ANY TWO LINE LEADS.</th> <th>HIGH VOLTAGE</th> </tr> <tr> <td>                     4-BROWN                      5-ORANGE                      6-BLACK                      1-RED                      7-PURPLE                      2-WHITE                      8-GRAY                      3-BLUE                      9-PINK                 </td> <td>                     LINE 1                      LINE 2                      LINE 3                 </td> <td>                     4-BROWN                      7-PURPLE                      5-ORANGE                      8-GRAY                      6-BLACK                      9-PINK                      1-RED                      2-WHITE                      3-BLUE                 </td> </tr> <tr> <td></td> <td></td> <td>                     LINE 1                      LINE 2                      LINE 3                 </td> </tr> </table> <p>183040-24</p> <p>NOTES:                  1. PILOT DIAMETER IS CONCENTRIC WITH SHAFT CENTERLINE WITHIN .004 T.I.R.                  2. FACE OF MOUNTING FLANGE IS PERPENDICULAR TO SHAFT CENTERLINE WITHIN .004 T.I.R.                  3. SHAFT RUNOUT NOT TO EXCEED .002 T.I.R.                  4. FOR THREADED SHAFT EXT. MATING PARTS SHOULD BE RELIEVED ONE THREAD TO CLEAR FILLET.                  5. FOR THREADER SHAFT EXT. ECCENTRICITY OF THREADED PORTION OF SHAFT IS HELD WITHIN .004 TOTAL GAGE READING WITH THE INDICATOR ON O.D. OF GROUND RING AS SHOWN. THE GAGE BEING STATIONARY WITH RESPECT TO THE ROTOR.                  6. END PLAY NOT TO EXCEED .010 MEASURED WITH NO THRUST                  7. ALL DIMENSIONS SHOWN IN PARENTHESIS ARE REFERENCE DIMENSIONS.</p>	LOW VOLTAGE	TO REVERSE, INTER-CHANGE ANY TWO LINE LEADS.	HIGH VOLTAGE	4-BROWN 5-ORANGE 6-BLACK 1-RED 7-PURPLE 2-WHITE 8-GRAY 3-BLUE 9-PINK	LINE 1 LINE 2 LINE 3	4-BROWN 7-PURPLE 5-ORANGE 8-GRAY 6-BLACK 9-PINK 1-RED 2-WHITE 3-BLUE			LINE 1 LINE 2 LINE 3	18072122	
LOW VOLTAGE	TO REVERSE, INTER-CHANGE ANY TWO LINE LEADS.	HIGH VOLTAGE										
4-BROWN 5-ORANGE 6-BLACK 1-RED 7-PURPLE 2-WHITE 8-GRAY 3-BLUE 9-PINK	LINE 1 LINE 2 LINE 3	4-BROWN 7-PURPLE 5-ORANGE 8-GRAY 6-BLACK 9-PINK 1-RED 2-WHITE 3-BLUE										
		LINE 1 LINE 2 LINE 3										
		UL COMPONENT	CSA									
		FILE#	CCN#									
		E44549	PRGY2									
		FILE#	CLASS#									
		LR4642	4211-01									
		ENCLOSURE: ODP	CUSTOMER: DISTRIBUTION									



- 形位公差
- 平面度
- 直线度
- ∠ 倾斜度
- ⊥ 垂直度
- // 平行度
- 圆度
- ⊘ 圆柱度
- ⊖ 面轮廓度
- ⊕ 线轮廓度
- ↗ 圆跳动
- ⊕ 位置度
- ⊙ 同轴度
- ≡ 对称度

ASME Y14.5M 1994

REGAL-BELOIT CORPORATION (RBC) 在个别领域为客户提供技术支持。鉴于RBC未收到任何涉及电机使用和应用环境的数据，电机的适用性由客户自己决定。

未注公差尺寸仅供参考。

绘图:	KHR	09-08-2005
批准:		
第三角投影	⊕	图纸格式发布日期 11-11-2011 图纸格式版本 G
机密: 本图纸及相关信息所有权归REGAL-BELOIT CORPORATION。未经REGAL-BELOIT CORPORATION书面授权, 不得泄露、复制、传播或作其他用途。一版权所有		



MODEL-CFHP-56FR  
OUTLINE

名称	MODEL-CFHP-56FR OUTLINE	
图幅	C	图号 12687-003
比例	NONE	页号 1

4

3

2

1