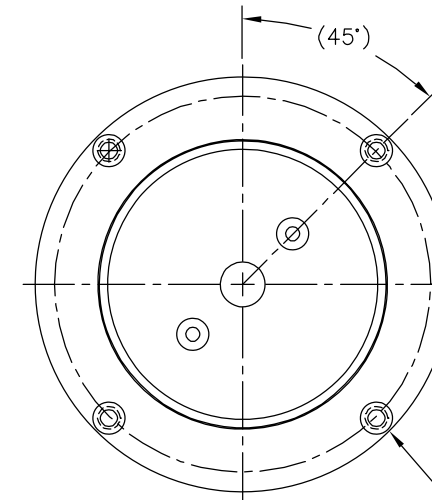
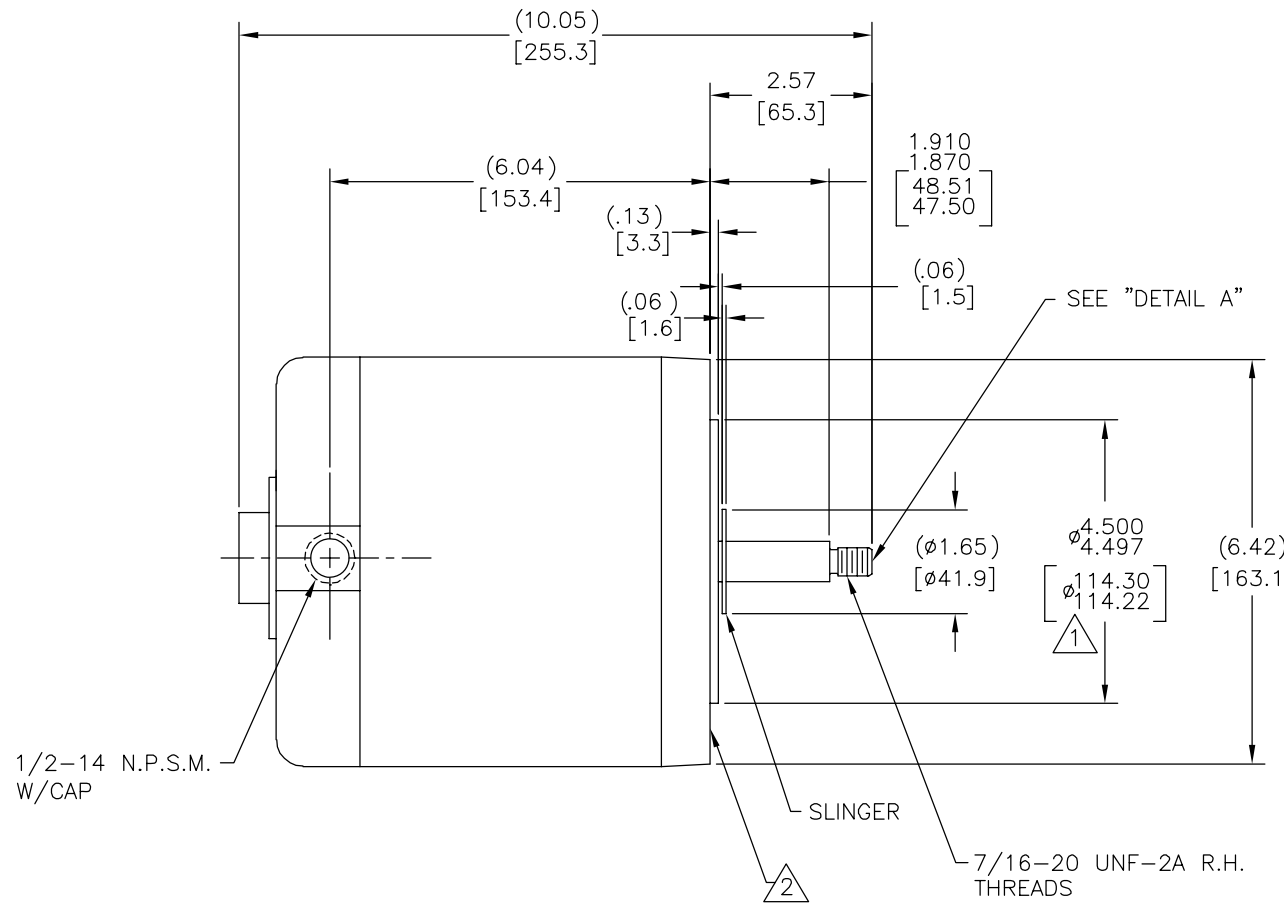
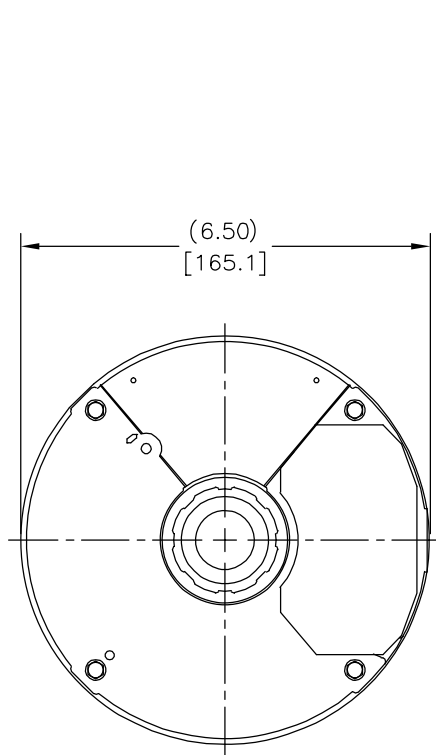
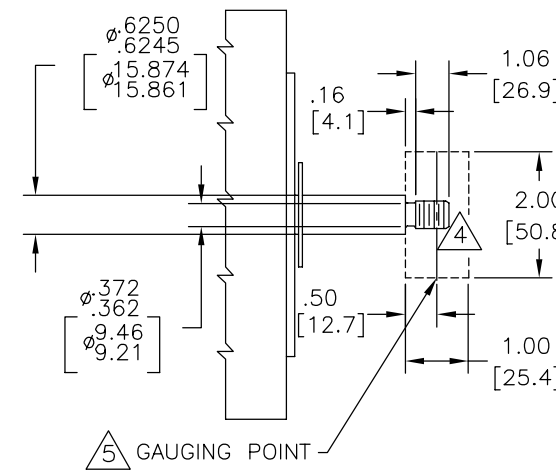


| | | | | | |
|-----|---------|------------|------------|---------------|------------|
| REV | ECO | REV BY | DATE | APPD | DATE |
| C | 0025551 | A. ARREOLA | 04-30-2012 | D. BALDERRAMA | 04-30-2012 |



6 3/8-16 UNC 2B (4) HOLES EQUALLY SPACED ON A (5.875) [149.23] B.C.



DETAIL A
SCALE= 1:2

| NAMEPLATE DATA | EXTERNAL CONNECTION DIAGRAM | PERFORMANCE CURVE NO. | APPROVED SAMPLE OR REF. MODEL | | | | | | | | | | | | | | | | | | | | | | | | | | | | | | |
|---|--|-----------------------|-------------------------------|---------------------|---------|----------|---------|----------|--------|----------|---------|--------|----------|-------|---------|--------|----------|------|---------|---------|--------|--------|--------|--|-------|--------|--|---------|--------|--|--------|----------|--|
| MODEL: 135807 CUST. P/N: H283 HP: 1/2 SF: 1.15 ROT: RCW RPM: 3450 TYPE: SC CODE: L FRAME: Y 56 J VOLTS: 200-230/460 AMPS: 1.9-1.8/.9 MAX AMPS: PH: 3 HZ: 60 INS: B AMB: 40°C DUTY: CONT | <p>183040-24</p> <table border="0"> <tr> <td>LOW VOLTAGE</td> <td>TO</td> <td>HIGH VOLTAGE</td> </tr> <tr> <td>4-BROWN</td> <td>REVERSE,</td> <td>4-BROWN</td> </tr> <tr> <td>5-ORANGE</td> <td>INTER-</td> <td>7-PURPLE</td> </tr> <tr> <td>6-BLACK</td> <td>CHANGE</td> <td>5-ORANGE</td> </tr> <tr> <td>1-RED</td> <td>ANY TWO</td> <td>8-GRAY</td> </tr> <tr> <td>7-PURPLE</td> <td>LINE</td> <td>6-BLACK</td> </tr> <tr> <td>2-WHITE</td> <td>LEADS.</td> <td>9-PINK</td> </tr> <tr> <td>8-GRAY</td> <td></td> <td>1-RED</td> </tr> <tr> <td>3-BLUE</td> <td></td> <td>2-WHITE</td> </tr> <tr> <td>9-PINK</td> <td></td> <td>3-BLUE</td> </tr> </table> | LOW VOLTAGE | TO | HIGH VOLTAGE | 4-BROWN | REVERSE, | 4-BROWN | 5-ORANGE | INTER- | 7-PURPLE | 6-BLACK | CHANGE | 5-ORANGE | 1-RED | ANY TWO | 8-GRAY | 7-PURPLE | LINE | 6-BLACK | 2-WHITE | LEADS. | 9-PINK | 8-GRAY | | 1-RED | 3-BLUE | | 2-WHITE | 9-PINK | | 3-BLUE | 16304523 | |
| LOW VOLTAGE | TO | HIGH VOLTAGE | | | | | | | | | | | | | | | | | | | | | | | | | | | | | | | |
| 4-BROWN | REVERSE, | 4-BROWN | | | | | | | | | | | | | | | | | | | | | | | | | | | | | | | |
| 5-ORANGE | INTER- | 7-PURPLE | | | | | | | | | | | | | | | | | | | | | | | | | | | | | | | |
| 6-BLACK | CHANGE | 5-ORANGE | | | | | | | | | | | | | | | | | | | | | | | | | | | | | | | |
| 1-RED | ANY TWO | 8-GRAY | | | | | | | | | | | | | | | | | | | | | | | | | | | | | | | |
| 7-PURPLE | LINE | 6-BLACK | | | | | | | | | | | | | | | | | | | | | | | | | | | | | | | |
| 2-WHITE | LEADS. | 9-PINK | | | | | | | | | | | | | | | | | | | | | | | | | | | | | | | |
| 8-GRAY | | 1-RED | | | | | | | | | | | | | | | | | | | | | | | | | | | | | | | |
| 3-BLUE | | 2-WHITE | | | | | | | | | | | | | | | | | | | | | | | | | | | | | | | |
| 9-PINK | | 3-BLUE | | | | | | | | | | | | | | | | | | | | | | | | | | | | | | | |
| | | UL COMPONENT | CSA | | | | | | | | | | | | | | | | | | | | | | | | | | | | | | |
| | | FILE# | CCN# | | | | | | | | | | | | | | | | | | | | | | | | | | | | | | |
| | | E44549 | PRGY2 | | | | | | | | | | | | | | | | | | | | | | | | | | | | | | |
| | | FILE# | CLASS# | | | | | | | | | | | | | | | | | | | | | | | | | | | | | | |
| | | LR4642 | 4211-01 | | | | | | | | | | | | | | | | | | | | | | | | | | | | | | |
| | | ENCLOSURE: TENV | CUSTOMER: DISTRIBUTION | | | | | | | | | | | | | | | | | | | | | | | | | | | | | | |

NOTES:

- 1 PILOT DIAMETER IS CONCENTRIC WITH SHAFT CENTERLINE WITHIN .004 T.I.R.
- 2 FACE OF MOUNTING FLANGE IS PERPENDICULAR TO SHAFT CENTERLINE WITHIN .004 T.I.R.
- 3. SHAFT RUNOUT NOT TO EXCEED .002 T.I.R.
- 4 FOR THREADED SHAFT EXT. MATING PARTS SHOULD BE RELIEVED ON THREAD TO CLEAR FILLET
- 5 FOR THREADER SHAFT EXT. (56J) ECCENTRICITY OF THREADED PORTION OF SHAFT IS HELD WITHIN .004 TOTAL GAGE READING WITH THE INDICATOR ON O.D. OF GROUND RING AS SHOWN. THE GAGE BEING STATIONARY WITH RESPECT TO THE ROTOR.
- 6 DEPTH OF HOLES IN MOUNTING FLANGE ARE .75 [19.1] FOR ALUMINUM .63 [16.0] FOR CAST IRON
- 7. END PLAY NOT TO EXCEED .010 MEASURED WITH NO THRUST
- 8. ALL DIMENSIONS SHOWN IN PARENTHESIS ARE REFERENCE DIMENSIONS.

GEOMETRIC CHARACTERISTICS & SYMBOLS

- FLATNESS
- STRAIGHTNESS
- ANGULARITY
- PERPENDICULARITY (SQUARENESS)
- PARALLELISM
- ROUNDNESS (CIRCULARITY)
- CYLINDRICITY
- PROFILE OF ANY SURFACE
- PROFILE OF ANY LINE
- RUNOUT
- TRUE POSITION
- CONCENTRICITY
- SYMMETRY

ASME Y14.5M 1994

REGAL-BELOIT CORPORATION (RBC) PROVIDES TECHNICAL ASSISTANCE TO OUR CUSTOMERS IN SEVERAL AREAS. SINCE RBC DOES NOT RECEIVE ALL DATA CONCERNING THE USE AND APPLICATION OF THE MOTOR, THE SUITABILITY OF THE MOTOR FOR THE APPLICATION MUST BE DETERMINED BY THE CUSTOMER.

DIMENSIONS WITHOUT TOLERANCES ARE FOR REFERENCE ONLY.

DR BY: KHR 09-13-2005

APPD:

THIRD ANGLE PROJECTION

EDS DATE 11-11-2011
FORMAT REV G

CONFIDENTIAL: THIS DRAWING AND ITS INFORMATION ARE THE EXCLUSIVE AND CONFIDENTIAL PROPERTY OF REGAL-BELOIT CORPORATION AND ARE NOT TO BE DISCLOSED, DUPLICATED, DISTRIBUTED OR OTHERWISE USED WITHOUT THE WRITTEN CONSENT OF REGAL-BELOIT CORPORATION. -ALL RIGHTS RESERVED.

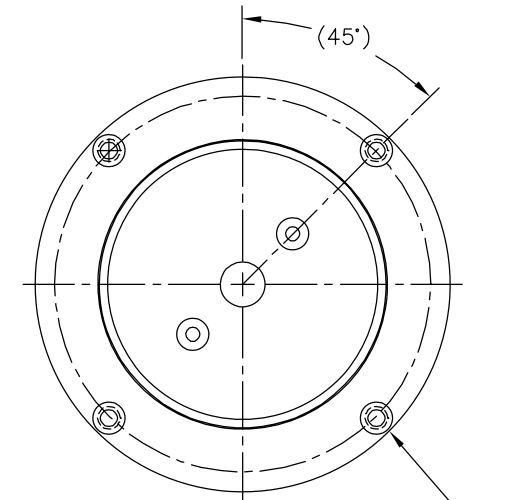
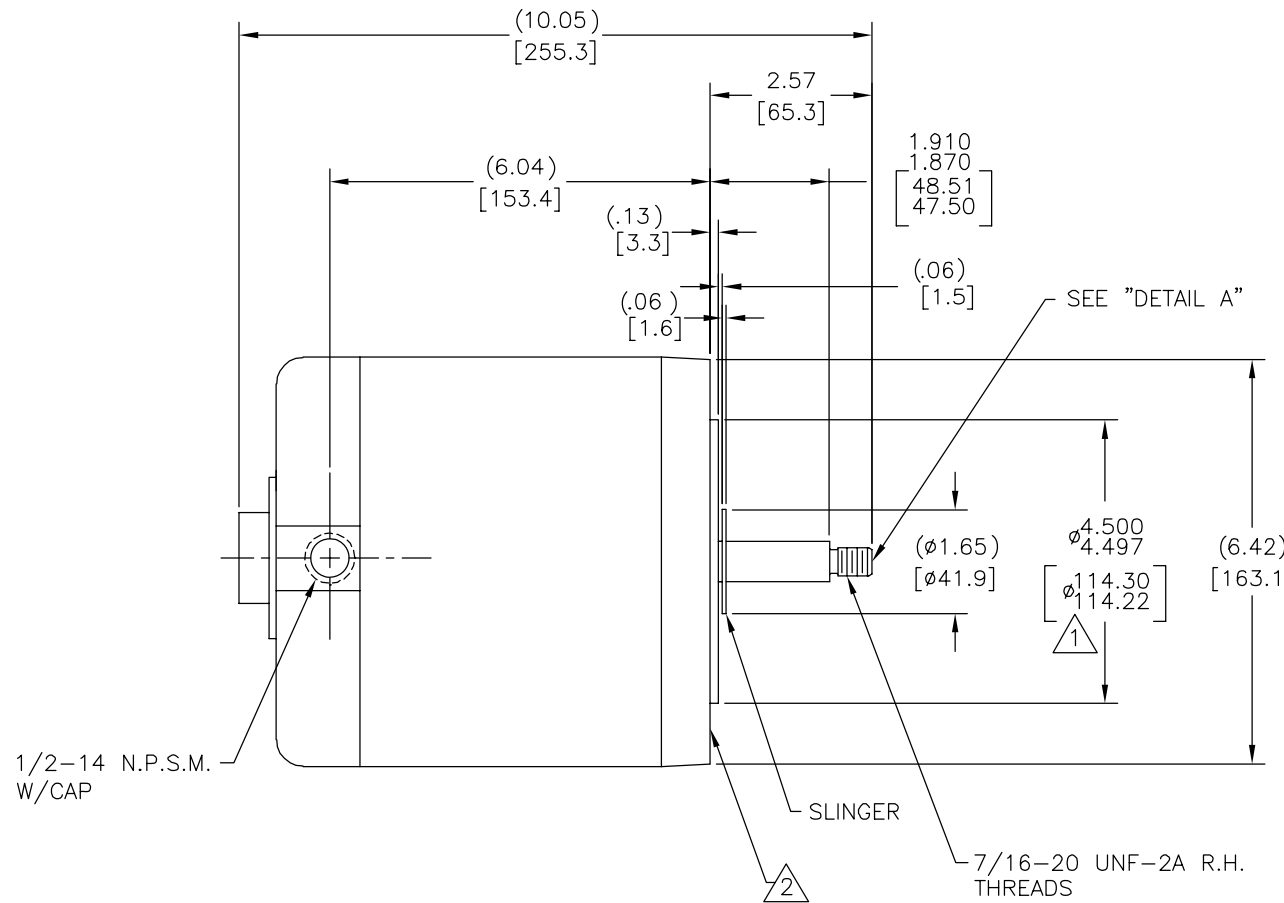
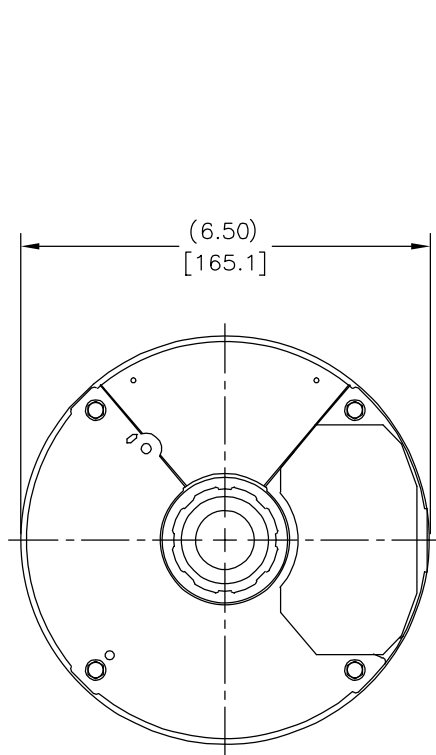
REGAL-BELOIT CORPORATION

DESCRIPTION: MODEL-CFHP-56FR OUTLINE

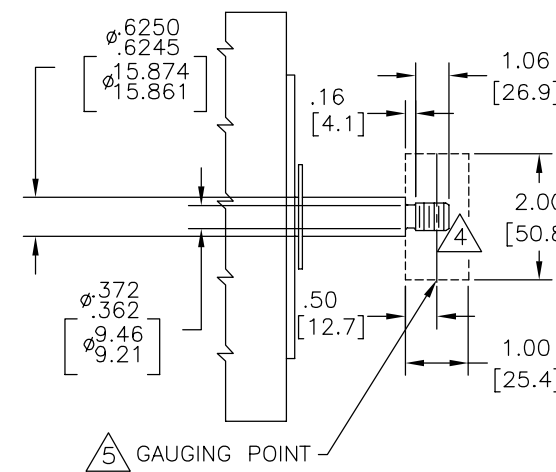
SIZE: C DWG NO: 12696-001

SCALE: NONE SHEET 1

| | | | | | |
|-----------|---------|---------------|------------|---------------|------------|
| REVISION: | ECO | REVISADO POR: | FECHA: | APROBADO POR: | FECHA: |
| C | 0025551 | A. ARREOLA | 04-30-2012 | D. BALDERRAMA | 04-30-2012 |



6 3/8-16 UNC 2B (4) HOLES EQUALLY SPACED ON A (5.875) [149.23] B.C.



DETAIL A
SCALE= 1:2

| NAMEPLATE DATA | EXTERNAL CONNECTION DIAGRAM | PERFORMANCE CURVE NO. | APPROVED SAMPLE OR REF. MODEL | | | | | | | | |
|---|--|--|--|--------------|--|----------------------------|--|--|--|----------------------------|--|
| MODEL: 135807 CUST. P/N: H283 HP: 1/2 SF: 1.15 ROT: RCW RPM: 3450 TYPE: SC CODE: L FRAME: Y 56 J VOLTS: 200-230/460 AMPS: 1.9-1.8/.9 MAX AMPS: PH: 3 HZ: 60 INS: B AMB: 40°C DUTY: CONT | <table border="1"> <tr> <th>LOW VOLTAGE</th> <th>TO REVERSE, INTER-CHANGE ANY TWO LINE LEADS.</th> <th>HIGH VOLTAGE</th> </tr> <tr> <td> 4-BROWN 5-ORANGE 6-BLACK 1-RED 7-PURPLE 2-WHITE 8-GRAY 9-PINK </td> <td> LINE 1 LINE 2 LINE 3 </td> <td> 4-BROWN 7-PURPLE 5-ORANGE 8-GRAY 6-BLACK 9-PINK 1-RED 2-WHITE 3-BLUE </td> </tr> <tr> <td></td> <td></td> <td> LINE 1 LINE 2 LINE 3 </td> </tr> </table> <p>NOTES: 1. PILOT DIAMETER IS CONCENTRIC WITH SHAFT CENTERLINE WITHIN .004 T.I.R. 2. FACE OF MOUNTING FLANGE IS PERPENDICULAR TO SHAFT CENTERLINE WITHIN .004 T.I.R. 3. SHAFT RUNOUT NOT TO EXCEED .002 T.I.R. 4. FOR THREADED SHAFT EXT. MATING PARTS SHOULD BE RELIEVED ON THREAD TO CLEAR FILLET</p> | LOW VOLTAGE | TO REVERSE, INTER-CHANGE ANY TWO LINE LEADS. | HIGH VOLTAGE | 4-BROWN 5-ORANGE 6-BLACK 1-RED 7-PURPLE 2-WHITE 8-GRAY 9-PINK | LINE 1 LINE 2 LINE 3 | 4-BROWN 7-PURPLE 5-ORANGE 8-GRAY 6-BLACK 9-PINK 1-RED 2-WHITE 3-BLUE | | | LINE 1 LINE 2 LINE 3 | 16304523 UL COMPONENT FILE# CCN# FILE# CLASS# E44549 PRGY2 LR4642 4211-01 ENCLOSURE: TENV CUSTOMER: DISTRIBUTION |
| LOW VOLTAGE | TO REVERSE, INTER-CHANGE ANY TWO LINE LEADS. | HIGH VOLTAGE | | | | | | | | | |
| 4-BROWN 5-ORANGE 6-BLACK 1-RED 7-PURPLE 2-WHITE 8-GRAY 9-PINK | LINE 1 LINE 2 LINE 3 | 4-BROWN 7-PURPLE 5-ORANGE 8-GRAY 6-BLACK 9-PINK 1-RED 2-WHITE 3-BLUE | | | | | | | | | |
| | | LINE 1 LINE 2 LINE 3 | | | | | | | | | |
| 5. FOR THREADER SHAFT EXT. (56J) ECCENTRICITY OF THREADED PORTION OF SHAFT IS HELD WITHIN .004 TOTAL GAGE READING WITH THE INDICATOR ON O.D. OF GROUND RING AS SHOWN. THE GAGE BEING STATIONARY WITH RESPECT TO THE ROTOR. 6. DEPTH OF HOLES IN MOUNTING FLANGE ARE .75 [19.1] FOR ALUMINUM .63 [16.0] FOR CAST IRON 7. END PLAY NOT TO EXCEED .010 MEASURED WITH NO THRUST 8. ALL DIMENSIONS SHOWN IN PARENTHESIS ARE REFERENCE DIMENSIONS. | | | | | | | | | | | |

| CARACTERISTICAS DE GEOMETRIA Y SIMBOLOS |
|--|
| □ PLANICIDAD — RECTITUD ∠ ANGULARIDAD ⊥ PERPENDICULARIDAD (A ESCUADRA) // PARALELISMO ○ REDONDEZ (CIRCULARIDAD) ∅ CILINDRICIDAD △ PERFIL DE CUALQUIER SUPERFICIE ∩ PERFIL DE CUALQUIER LINEA ∩ VARIACION ⊕ POSICION REAL ⊙ CONCENTRICIDAD = SIMETRIA |
| ASME Y14.5M 1994 |

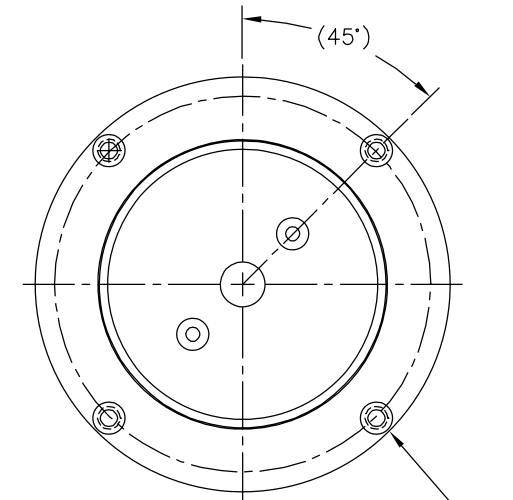
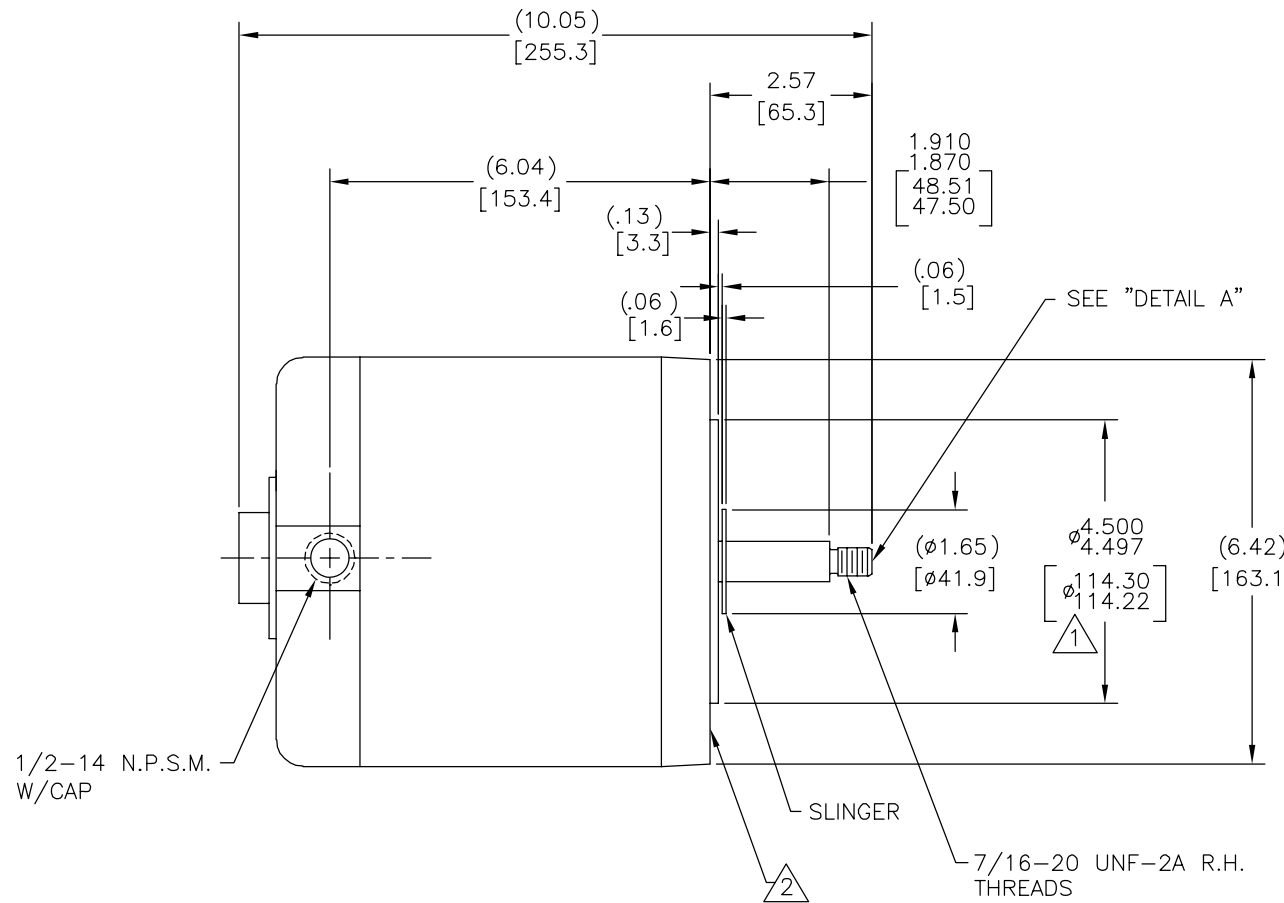
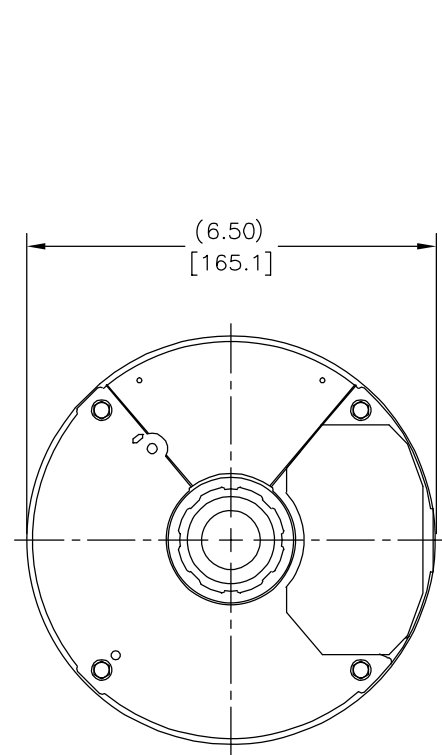
REGAL-BELOIT CORPORATION (RBC) PROVEE ASISTENCIA TECNICA A NUESTROS CLIENTES EN VARIAS AREAS. DESDE QUE RBC NO RECIBE TODOS LOS DATOS EN RELACION AL USO Y A LA APLICACION DEL MOTOR, LA APLICACION ADECUADA DEL MOTOR DEBE SER DETERMINADA POR EL CLIENTE.

DIMENSIONES SIN TOLERANCIA SON DE REFERENCIA SOLAMENTE

| | |
|---|--|
| DIBUJADO POR: KHR | 09-13-2005 |
| APROBADO POR: | |
| TERCER ANGULO DE PROYECCION | FECHA EDS: 11-11-2011 REV. FORMATO: G |
| CONFIDENCIAL: ESTE DIBUJO Y SU INFORMACION SON PROPIEDAD DE USO EXCLUSIVO Y CONFIDENCIAL DE REGAL-BELOIT CORPORATION. Y NO DEBERAN SER REVELADOS, DUPLICADOS, DISTRIBUIDOS O USARSE DE OTRA MANERA SIN EL CONSENTIMIENTO ESCRITO DE REGAL-BELOIT CORPORATION. -TODOS LOS DERECHOS RESERVADOS. | |

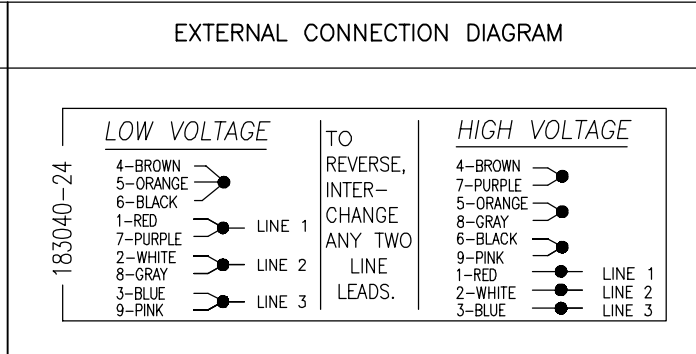
| | |
|--------------------------------------|-----------------------------|
| | |
| DESCRIPCION: MODEL-CFHP-56FR OUTLINE | |
| TAMAÑO: C | NUMERO DE DIBUJO: 12696-001 |
| ESCALA: NONE | HOJA: 1 |

| | | | | | |
|----|---------|------------|------------|---------------|------------|
| 版本 | ECO | 编制 | 日期 | 批准 | 日期 |
| C | 0025551 | A. ARREOLA | 04-30-2012 | D. BALDERRAMA | 04-30-2012 |



△6 3/8-16 UNC 2B (4) HOLES EQUALLY SPACED ON A (Ø5.875) [Ø149.23] B.C.

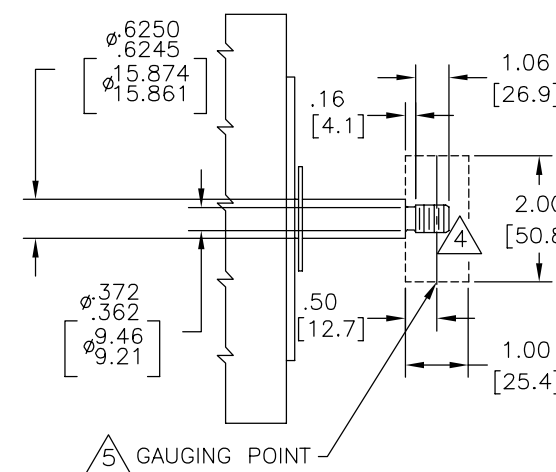
| NAMEPLATE DATA |
|---|
| MODEL: 135807 CUST. P/N: H283 HP: 1/2 SF: 1.15 ROT: RCW RPM: 3450 TYPE: SC CODE: L FRAME: Y 56 J VOLTS: 200-230/460 AMPS: 1.9-1.8/.9 MAX AMPS: PH: 3 HZ: 60 INS: B AMB: 40°C DUTY: CONT |



| PERFORMANCE CURVE NO. | APPROVED SAMPLE OR REF. MODEL | | |
|-----------------------|-------------------------------|------------------------|---------|
| 16304523 | | | |
| UL COMPONENT | | | |
| FILE# | CCN# | FILE# | CLASS# |
| E44549 | PRGY2 | LR4642 | 4211-01 |
| ENCLOSURE: TENV | | CUSTOMER: DISTRIBUTION | |

NOTES:

- PILOT DIAMETER IS CONCENTRIC WITH SHAFT CENTERLINE WITHIN .004 T.I.R.
- FACE OF MOUNTING FLANGE IS PERPENDICULAR TO SHAFT CENTERLINE WITHIN .004 T.I.R.
- SHAFT RUNOUT NOT TO EXCEED .002 T.I.R.
- FOR THREADED SHAFT EXT. MATING PARTS SHOULD BE RELIEVED ON THREAD TO CLEAR FILLET
- FOR THREADER SHAFT EXT. (56J) ECCENTRICITY OF THREADED PORTION OF SHAFT IS HELD WITHIN .004 TOTAL GAGE READING WITH THE INDICATOR ON O.D. OF GROUND RING AS SHOWN. THE GAGE BEING STATIONARY WITH RESPECT TO THE ROTOR.
- DEPTH OF HOLES IN MOUNTING FLANGE ARE .75 [19.1] FOR ALUMINUM .63 [16.0] FOR CAST IRON
- END PLAY NOT TO EXCEED .010 MEASURED WITH NO THRUST
- ALL DIMENSIONS SHOWN IN PARENTHESIS ARE REFERENCE DIMENSIONS.



DETAIL A
SCALE= 1:2

| |
|---|
| 形位公差 □ 平面度 — 直线度 < 倾斜度 ⊥ 垂直度 // 平行度 ○ 圆度 ⊙ 圆柱度 △ 面轮廓度 ⊖ 线轮廓度 ↗ 圆跳动 ⊕ 位置度 ⊗ 同轴度 ≡ 对称度 |
|---|

REGAL-BELOIT CORPORATION (RBC) 在个别领域为客户 提供技术支持。鉴于RBC 未收到任何涉及电机使用和 应用环境的数据，电机的适用性 由客户自己决定。

未注公差尺寸仅供参考。

| | |
|--|---------------------------------|
| 绘图: KHR | 09-13-2005 |
| 批准: | |
| 第三角投影 | 图纸格式发布日期 11-11-2011 图纸格式版本 G |
| 机密: 本图纸及相关信息所有权归REGAL-BELOIT CORPORATION 未经REGAL-BELOIT CORPORATION书面授权, 不得泄露、 复制、传播或作其他用途。—版权所有 | |

| | |
|-----------------------------|---------------|
| | |
| 名称: MODEL-CFHP-56FR OUTLINE | |
| 图幅: C | 图号: 12696-001 |
| 比例: NONE | 页号: 1 |