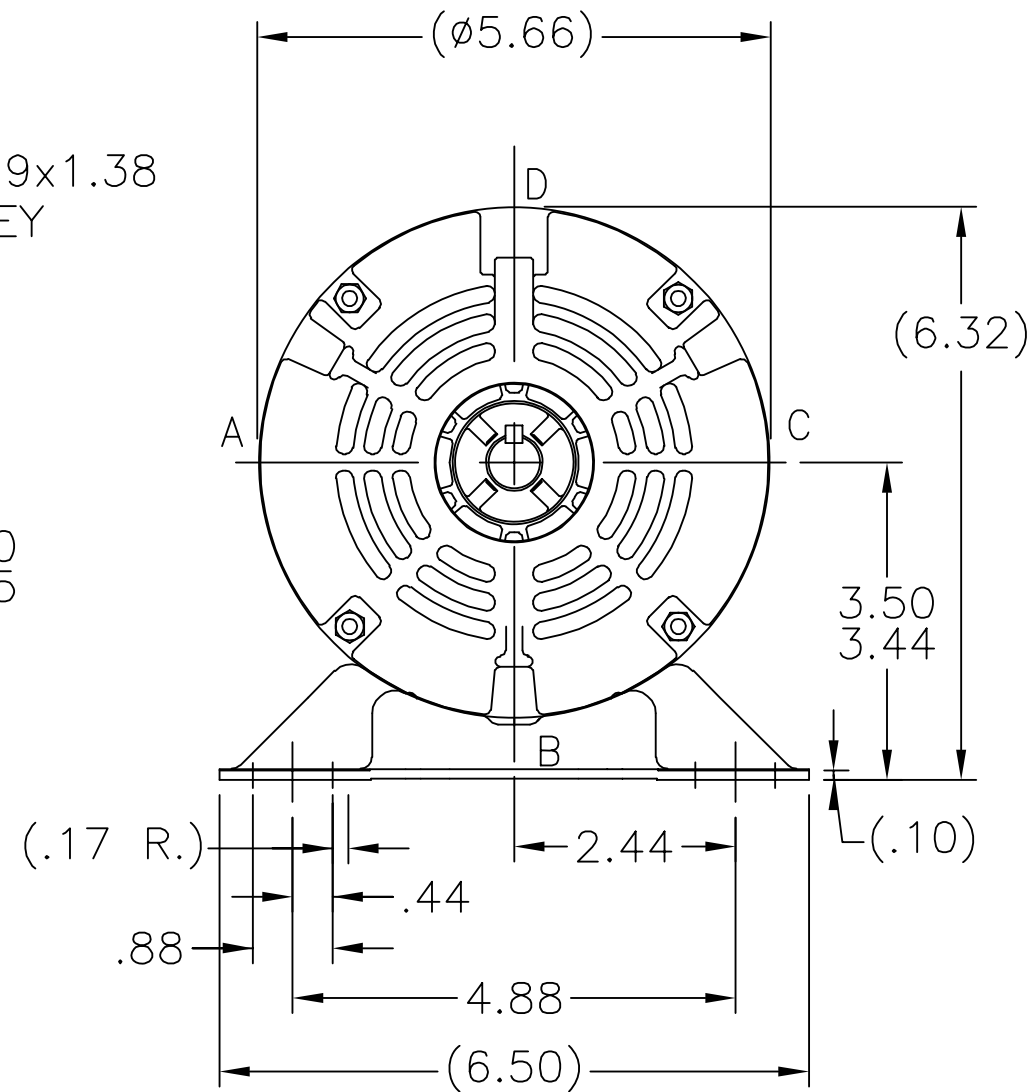
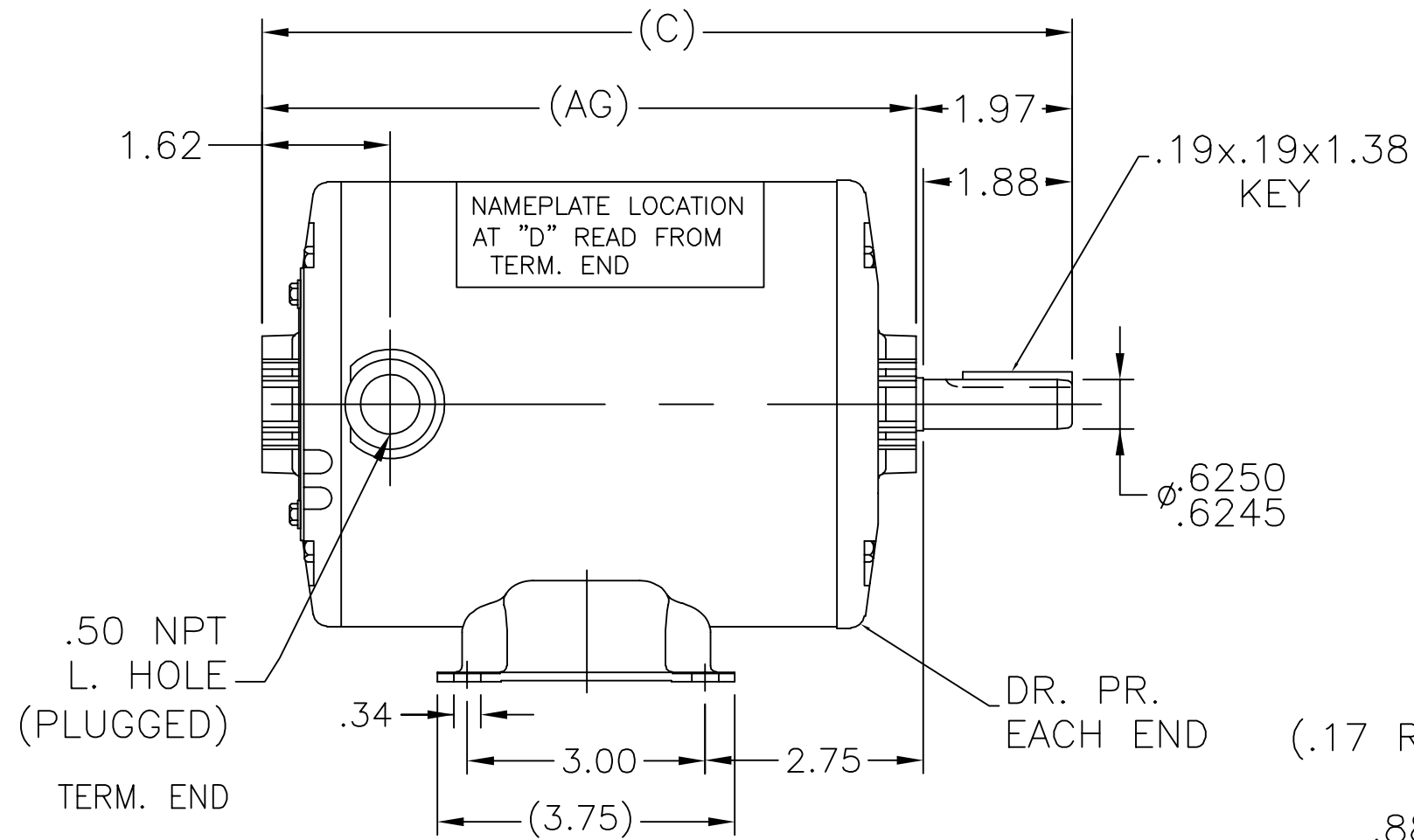


SS404132



DASH	C	AG		DASH	C	AG	
625	10.22	8.25		725	11.22	9.25	
650	10.47	8.50		750	11.47	9.50	
675	10.72	8.75		775	11.72	9.75	
700	10.97	9.00		800	11.94	10.00	

TOLERANCES UNLESS SPECIFIED

DEC.	INCHES
.X	±.1
.XX	±.03
.XXX	±.005
.XXXX	±.0005
ANG	±7'30"



Regal Beloit America, Inc.

TITLE OUTLINE  
56 FR. - DP.

MAT'L.

FINISH

DRAWN SAJ 12/24/2014

CHK AB 12/24/2014

APPD

SCALE 1:1

REF 606-0036

FMF H267ES

PREV

NO.	REVISION	BY & DATE	CHK

THIS DRAWING IN DESIGN AND DETAIL IS OUR PROPERTY AND MUST NOT BE USED EXCEPT IN CONNECTION WITH OUR WORK ALL RIGHTS OF DESIGN AND INVENTION ARE RESERVED THIS IS AN ELECTRONICALLY GENERATED DOCUMENT - DO NOT SCALE THIS PRINT

RFP  
DIST WP

CAD FILE SS404132

SIZE	DRAWING NO.	PAGE	1 OF 1	REV.
A	SS404132			