

.33
[8.38]

4X
1.00
[25.44]

4X
THREAD
10-32 UNF-2A
4X
HEX NUTS
(FINGER TIGHT)

KEY TO BE SECURED
TO NAMEPLATE WITH
TAPE AS SHOWN
PRIOR TO SHIPPING

3X
ALIGNMENT SCREWS
(120° APART)

NAMEPLATE

6.06
[153.92]

6.00
[152.40]

4.80
[121.92]
LENGTH FLAT

4.80
[121.92]
USABLE
KEYWAY

SLINGER

THREAD HOLE
1/2-14 NPSM
PLUGGED

1.88
[47.75]

2.75
[69.85]
(TO SLOT)

6.61
[168.00]

6.82
[173.13]

3.50
3.44
[88.77]
[87.25]

Ø6.50
[165.07]

6X
.34
[8.64]

2X
5.00
[127.00]

2X
3.00
[76.20]

2X
1.00
[25.40]

6X
1.22
[30.99]

6X
TORQ-SLTD HEAD SELF
TAPPING SCREWS
TORQUE TO 30 IN/LB

3X
2.75
[69.85]

3X
2.44
[61.98]

3X
4.88
[123.95]

3X
5.50
[139.70]

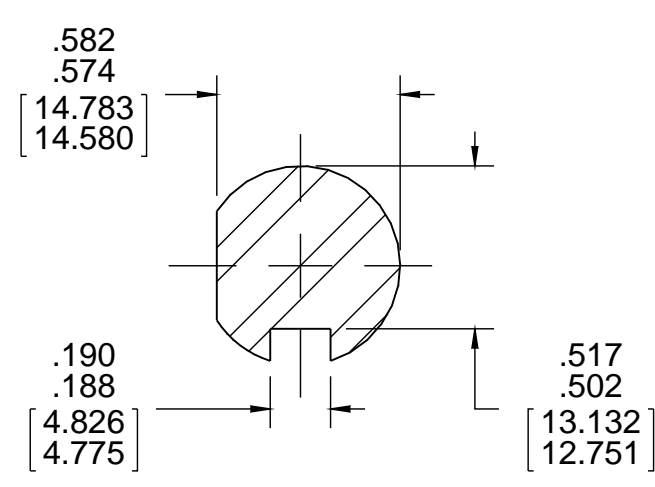
6.50
[165.10]

2X
4.00
[101.60]

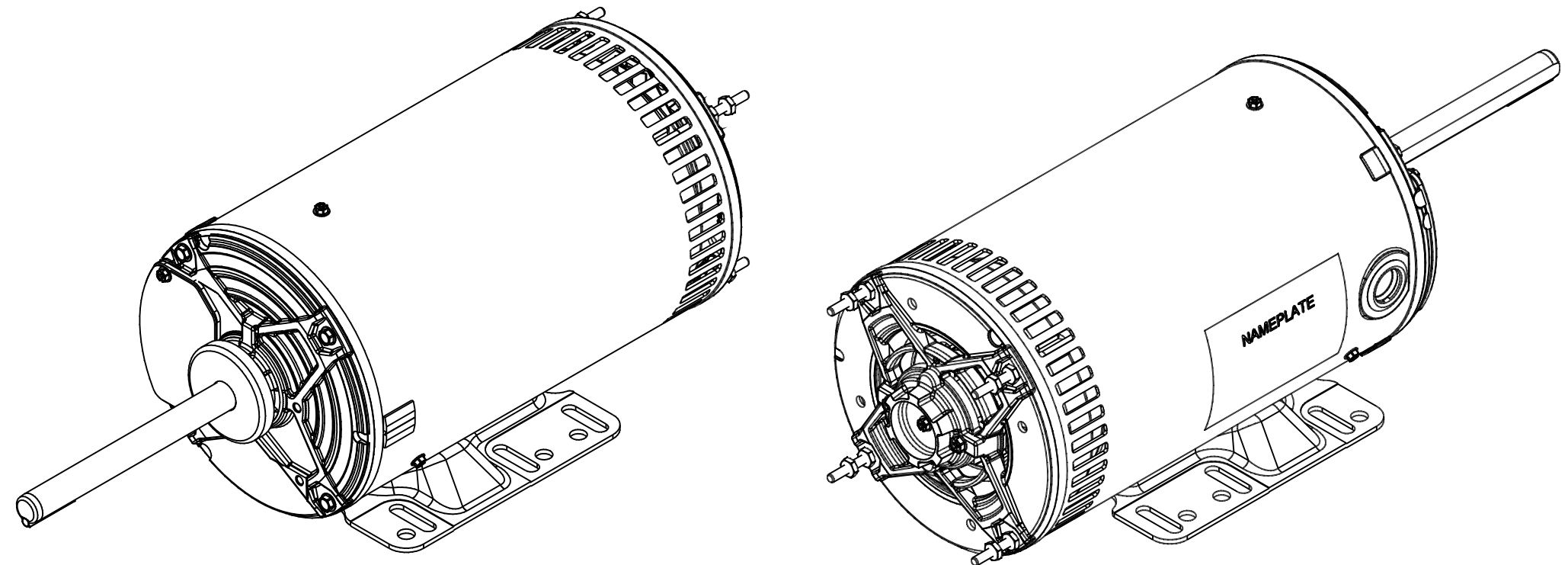
2X
5.00
[127.00]

2X
.50
[12.70]

6X
Ø.39
Ø.34
[9.91]
[8.64]



SECTION A-A



NOTE:
BASE TO BE ATTACHED WITH SCREWS. DO NOT WELD

DRAWING REVISION A	REVISION BY D.VALENCIANO	DATE 05-18-2016	TOLERANCES UNLESS OTHERWISE SPECIFIED: DEC. INCH mm ANGLE .XX ±0.1 [±2.5] .XXX ±0.03 [±0.76] XXXX ±0.005 [±0.127] REMOVE BURRS & BREAK SHARP EDGES: .003/.015 [076/381] X 45° CORNER FILLETS: R.02 [51] MACHINED SURFACES: 125 32 mm SHOWN IN [BRACKETS]	DRAWN BY D.VALENCIANO	DATE 05-18-2016	DESCRIPTION OUTLINE 56FR, OAO, 3-PHASE
ECO ECO-0101865	APPROVED BY J.ORTEGA	DATE 05-18-2016	APPROVED BY J.ORTEGA	DATE 05-18-2016	REFERENCE H1053A	MATERIAL 56FR, OAO, 3-PHASE
NEW MODEL RELEASE			REGAL™ Regal Beloit America, Inc.			
<small> COPYRIGHT REGAL BELOIT AMERICA, INC. ALL RIGHTS RESERVED. PROPRIETARY AND CONFIDENTIAL INFORMATION - THIS DOCUMENT IS THE PROPERTY OF REGAL BELOIT AMERICA, INC. OWNERS AND CONTAINS OWNERS PROPRIETARY INFORMATION. ANY PERSON, CORPORATION OR OTHER FIRM RECEIVING IT IS DEEMED BY RECEIVING IT TO AGREE THAT IT, AND/OR ANY PART OF IT, SHALL NOT BE DISCLOSED TO ANY PERSON, CORPORATION OR OTHER ENTITY, DUPLICATED, AND/OR USED, EXCEPT AS EXPRESSLY APPROVED IN WRITING IN ADVANCE BY OWNER. THIS DOCUMENT SHALL BE RETURNED TO OWNER UPON REQUEST. IT MAY BE SUBJECT TO CERTAIN RESTRICTIONS UNDER APPLICABLE EXPORT CONTROL LAWS AND REGULATIONS. </small>			<small> THIRD ANGLE PROJECTION </small>			
<small> SIZE D </small>			<small> DRAWING NUMBER OL56100086-001 </small>		<small> SHEET 1 OF 1 </small>	