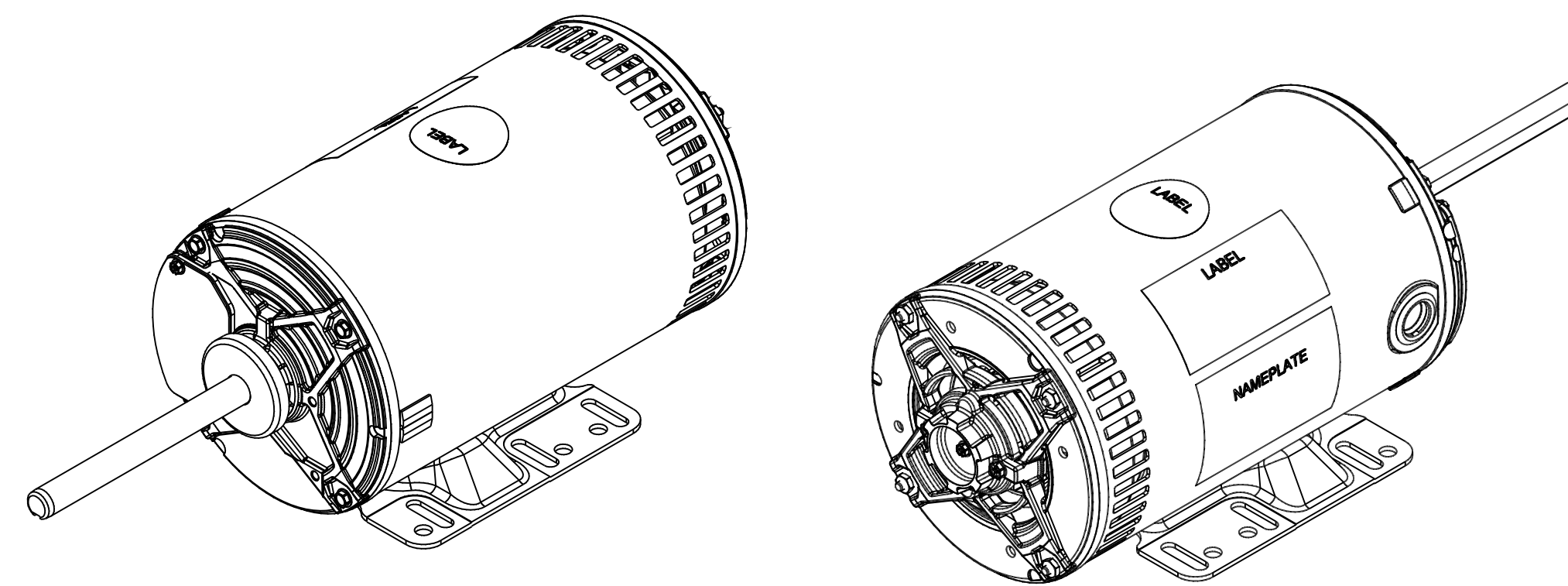
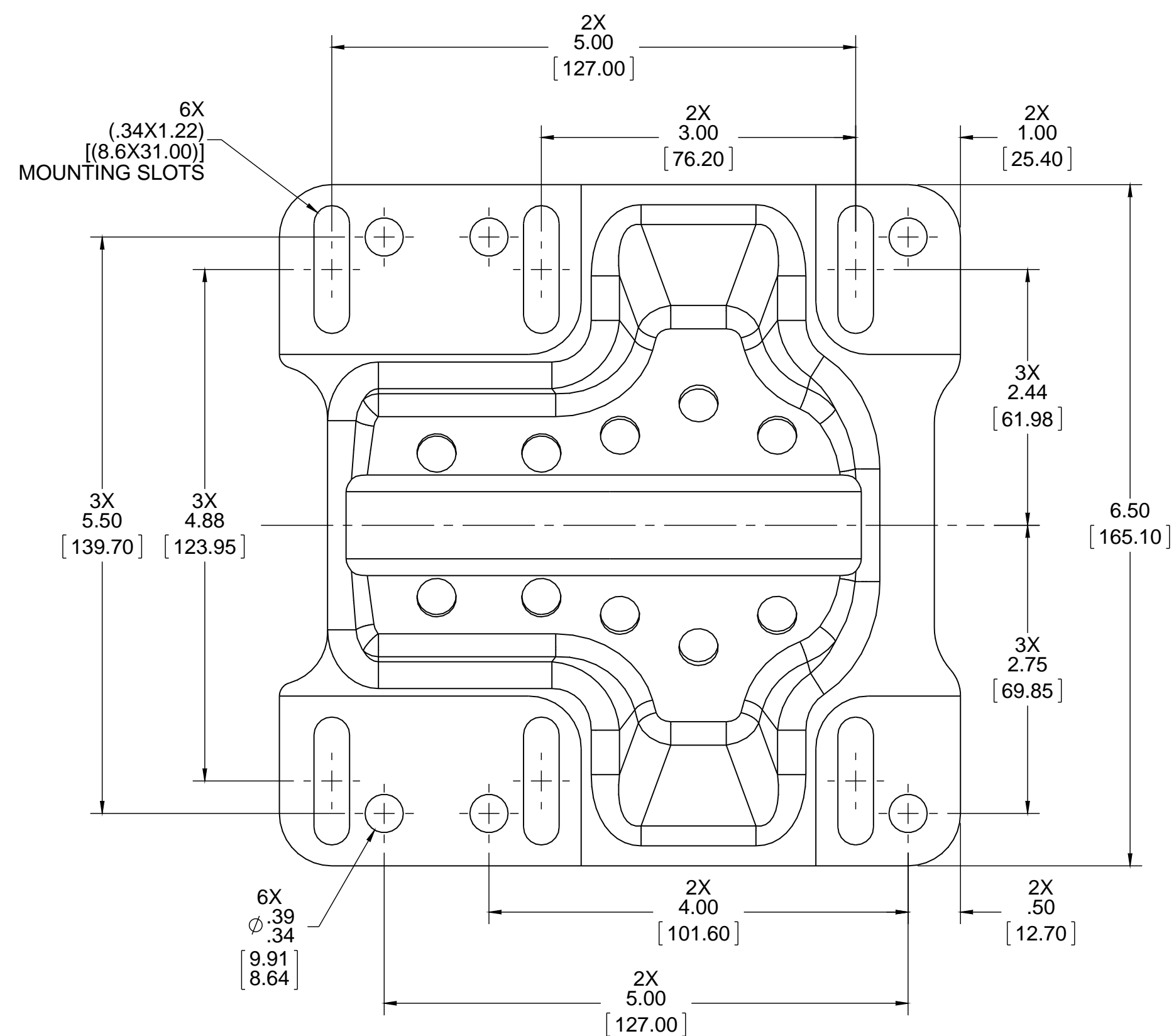


SECTION A-A



NOTE:
1. GASKET USED UNDER COVER OF TERMINAL OPENING.

DRAWING REVISION A		REVISION BY D.VALENCIANO	DATE 06-16-2016	TOLERANCES UNLESS OTHERWISE SPECIFIED: DEC. INCH mm ANGLE		DRAWN BY D.VALENCIANO	DATE 06-16-2016	REGAL™ Regal Beloit America, Inc.			
ECO-0103927		APPROVED BY J.ORTEGA	DATE 06-16-2016	.XX +0.03 [+0.76]	±0.1 [±2.5]	APPROVED BY J.ORTEGA	DATE 06-16-2016	DESCRIPTION OUTLINE			
ECO DESCRIPTION NEW MODEL RELEASE		COPYRIGHT REGAL BELOIT AMERICA, INC. ALL RIGHTS RESERVED. PROPRIETARY AND CONFIDENTIAL INFORMATION - THIS DOCUMENT IS THE PROPERTY OF REGAL BELOIT AMERICA, INC. OWNERS AND CONTAINS OWNERS PROPRIETARY INFORMATION. ANY PERSON, CORPORATION OR OTHER FIRM RECEIVING IT IS DEEMED BY RECEIVING IT TO AGREE THAT IT, AND/OR ANY PART OF IT, SHALL NOT BE DISCLOSED TO ANY PERSON, CORPORATION OR OTHER ENTITY, DUPLICATED, AND/OR USED, EXCEPT AS EXPRESSLY APPROVED IN WRITING IN ADVANCE BY OWNER. THIS DOCUMENT SHALL BE RETURNED TO OWNER UPON REQUEST. IT MAY BE SUBJECT TO CERTAIN RESTRICTIONS UNDER APPLICABLE EXPORT CONTROL LAWS AND REGULATIONS.		REMOVE BURRS & BREAK SHARP EDGES: .003/.015 [0.076/.381] X 45° CORNER FILLETS: R.02 [5.1] MACHINED SURFACES: 125/32 mm SHOWN IN [BRACKETS]		REFERENCE H1052RB		MATERIAL 56FR, OAO, 3-PHASE		PROCESS/FINISH	
THIRD ANGLE PROJECTION		SIZE D		DRAWING NUMBER OL56100124-001		SHEET 1 OF 1					