

D

C

B

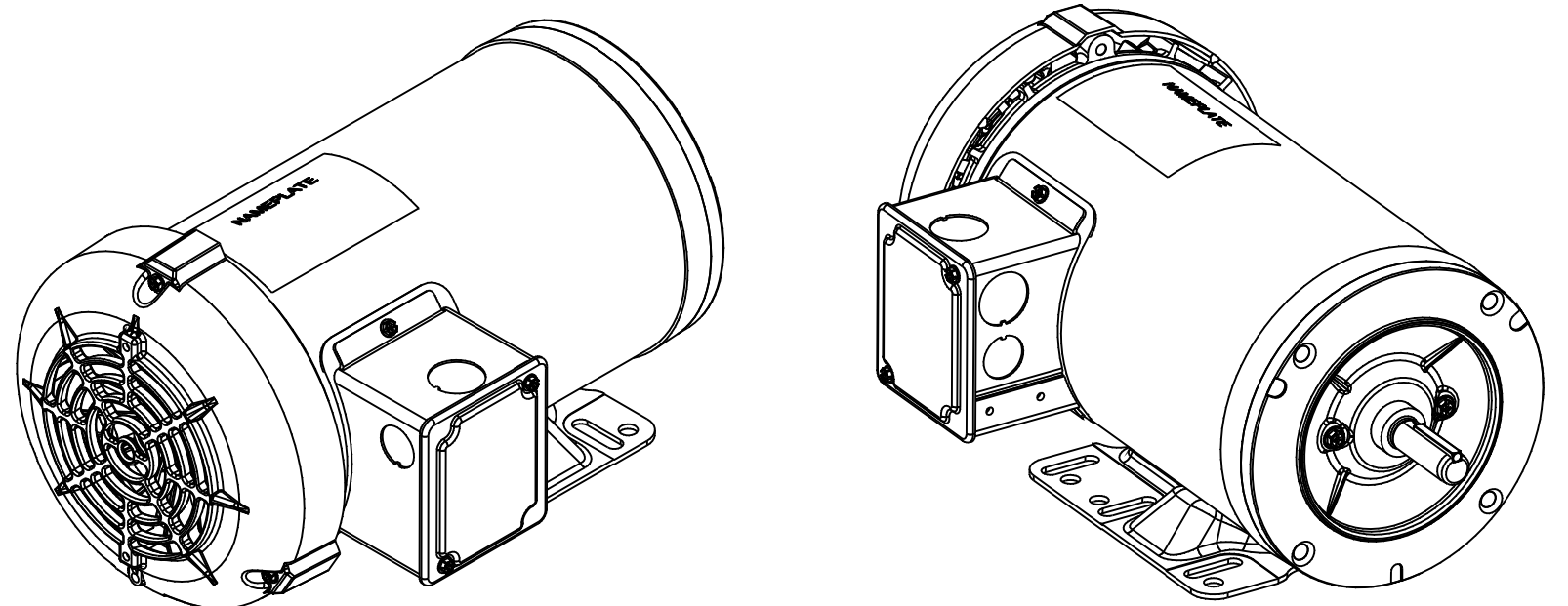
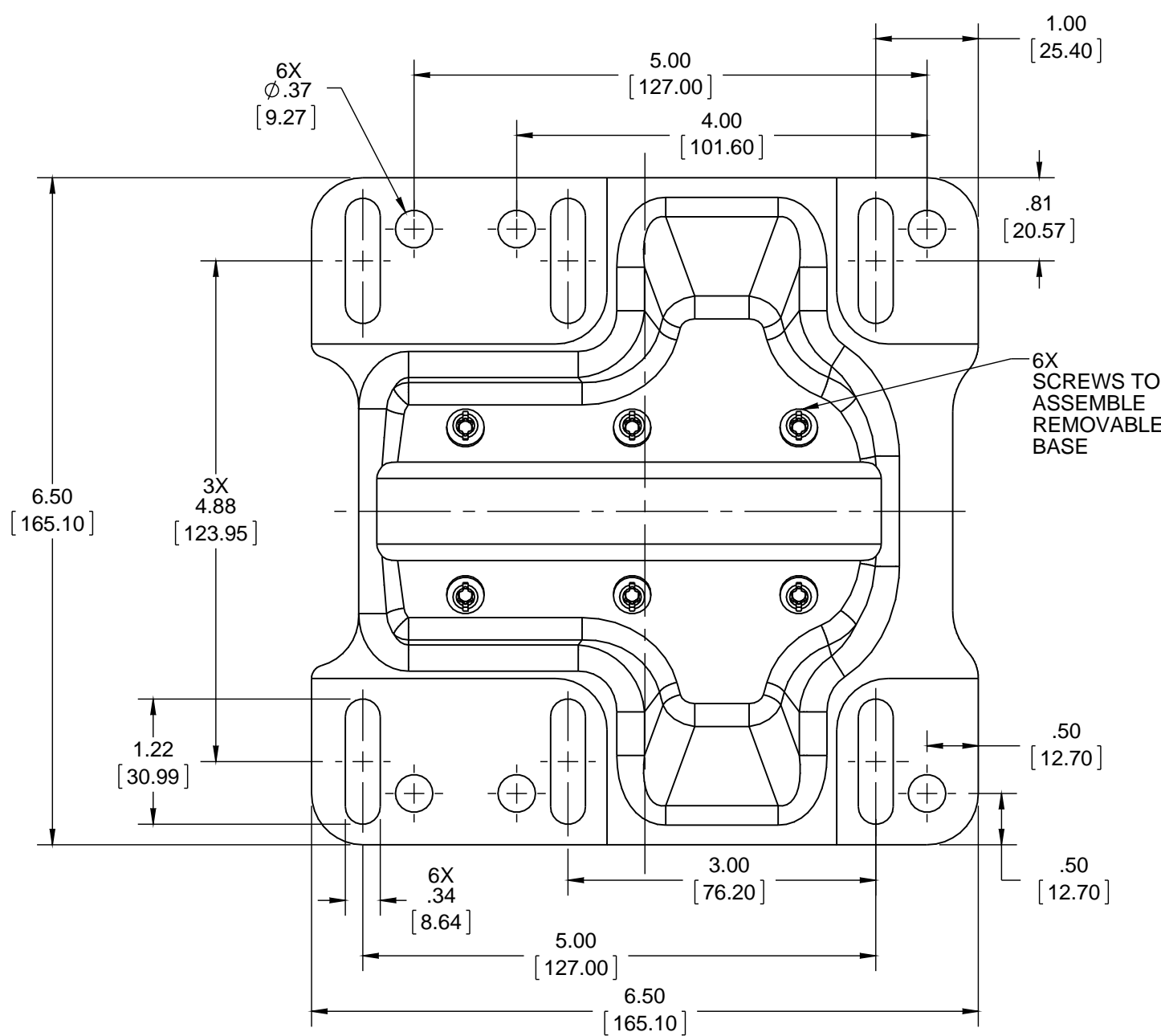
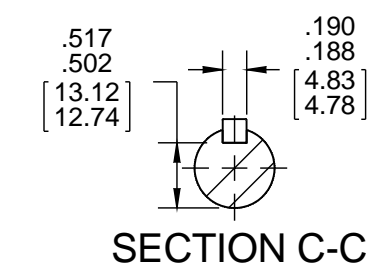
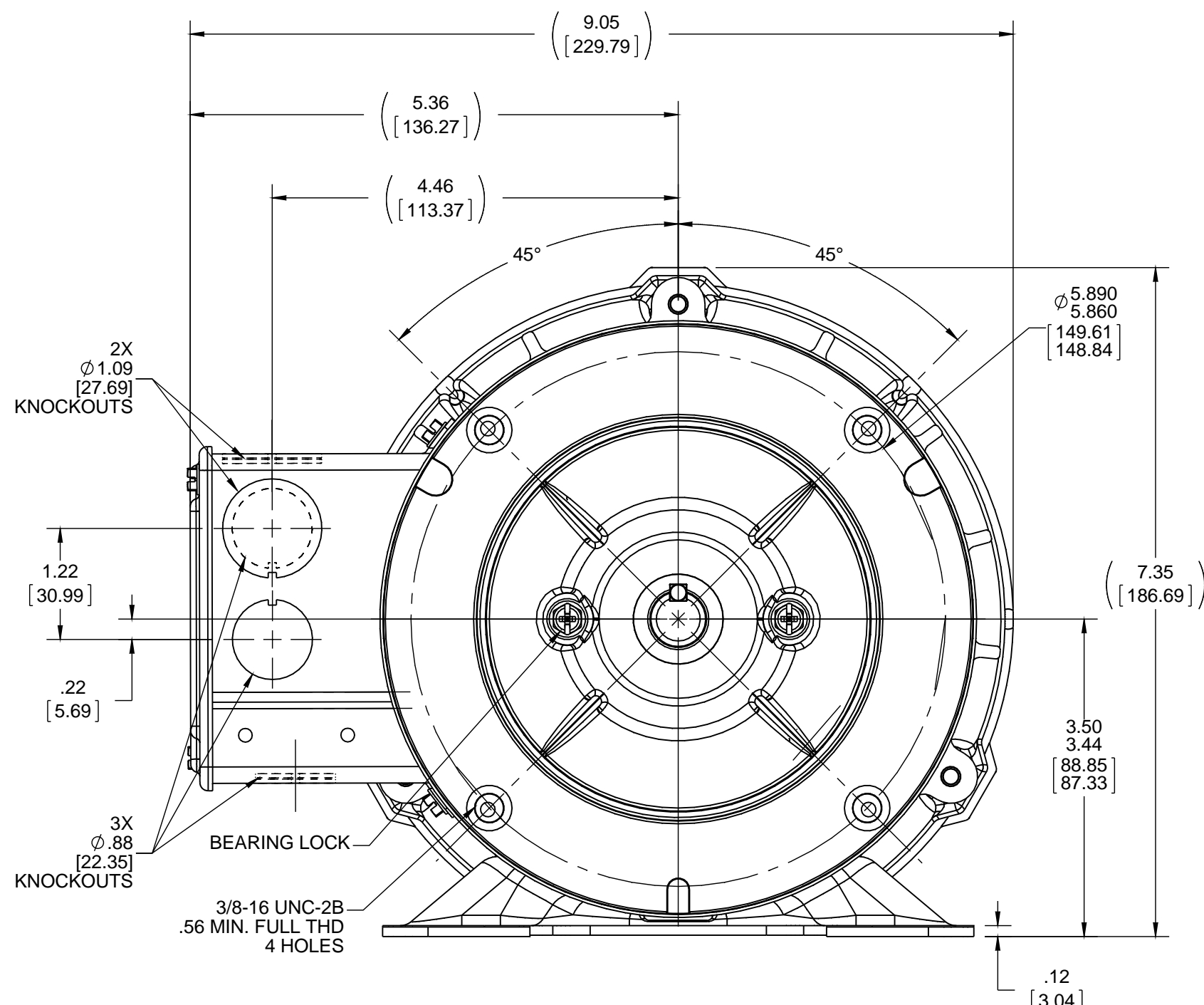
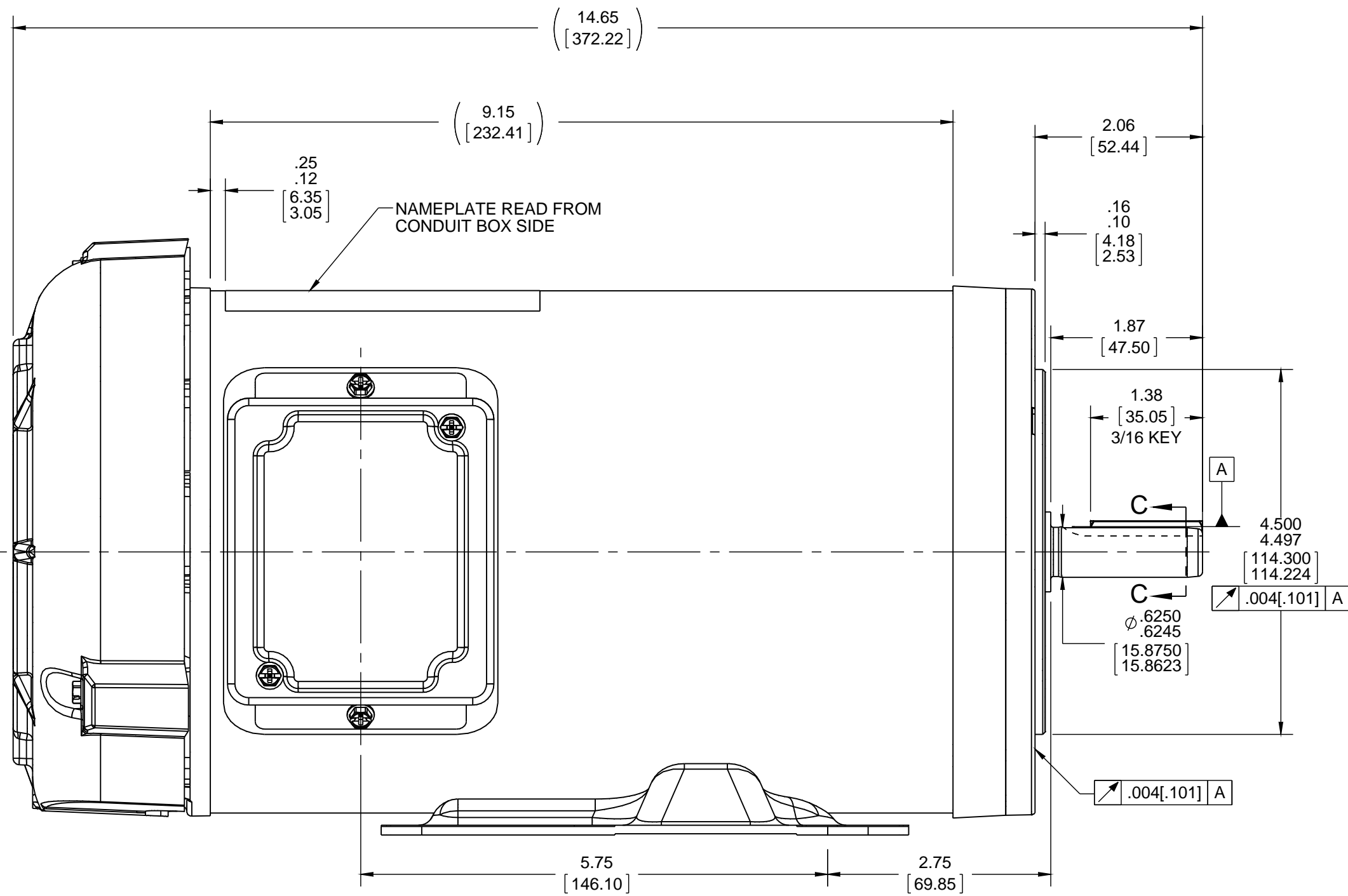
A

D

C

B

A



|   |                           |                    |  |                          |                                  |
|---|---------------------------|--------------------|--|--------------------------|----------------------------------|
| DRAWING REVISION<br>D   | REVISION BY<br>R.ZAMARRON | DATE<br>07-04-2016 | TOLERANCES UNLESS OTHERWISE SPECIFIED:<br>DEC. INCH mm ANGLE   | DRAWN BY<br>D.VALENCIANO | Regal Beloit America, Inc.       |
| ECO-0106135   | APPROVED BY<br>J.ORTEGA   | DATE<br>07-04-2016 | .X ±0.1 [±2.5]<br>.XX ±0.02 [±0.51]<br>.XXX ±0.005 [±0.127]<br>.XXXX +0.0005 [±0.0127]   | DATE<br>02-23-2016       |                                  |
| ECO DESCRIPTION<br>UPDATED OUTLINE  |                           |                    | REMOVE BURRS & BREAK SHARP EDGES: .003/.015 [0.076/381] X 45°<br>CORNER FILLETS: R.02 [51]<br>MACHINED SURFACES: 125 INCH 3.2 mm SHOWN IN [BRACKETS] | APPROVED BY              | DESCRIPTION<br>OUTLINE           |
| <small>COPYRIGHT REGAL BELOIT AMERICA, INC. ALL RIGHTS RESERVED. PROPRIETARY AND CONFIDENTIAL INFORMATION - THIS DOCUMENT IS THE PROPERTY OF REGAL BELOIT AMERICA, INC. ('OWNER') AND CONTAINS OWNER'S PROPRIETARY INFORMATION. ANY PERSON, CORPORATION OR OTHER FIRM RECEIVING IT IS DEEMED, BY RECEIVING IT, TO AGREE THAT IT, AND/OR ANY PART OF IT, SHALL NOT BE DISCLOSED TO ANY PERSON, CORPORATION OR OTHER ENTITY, DUPLICATED, AND/OR USED, EXCEPT AS EXPRESSLY APPROVED IN WRITING IN ADVANCE BY OWNER. THIS DOCUMENT SHALL BE RETURNED TO OWNER UPON REQUEST. IT MAY BE SUBJECT TO CERTAIN RESTRICTIONS UNDER APPLICABLE EXPORT CONTROL LAWS AND REGULATIONS.</small> |                           |                    | DATE   | MATERIAL                 | PROCESS/FINISH                   |
|   |                           |                    | THIRD ANGLE PROJECTION   | SIZE<br>C                | DRAWING NUMBER<br>OL56100003-002 |
|   |                           |                    |  |                          | SHEET<br>1 OF 1                  |