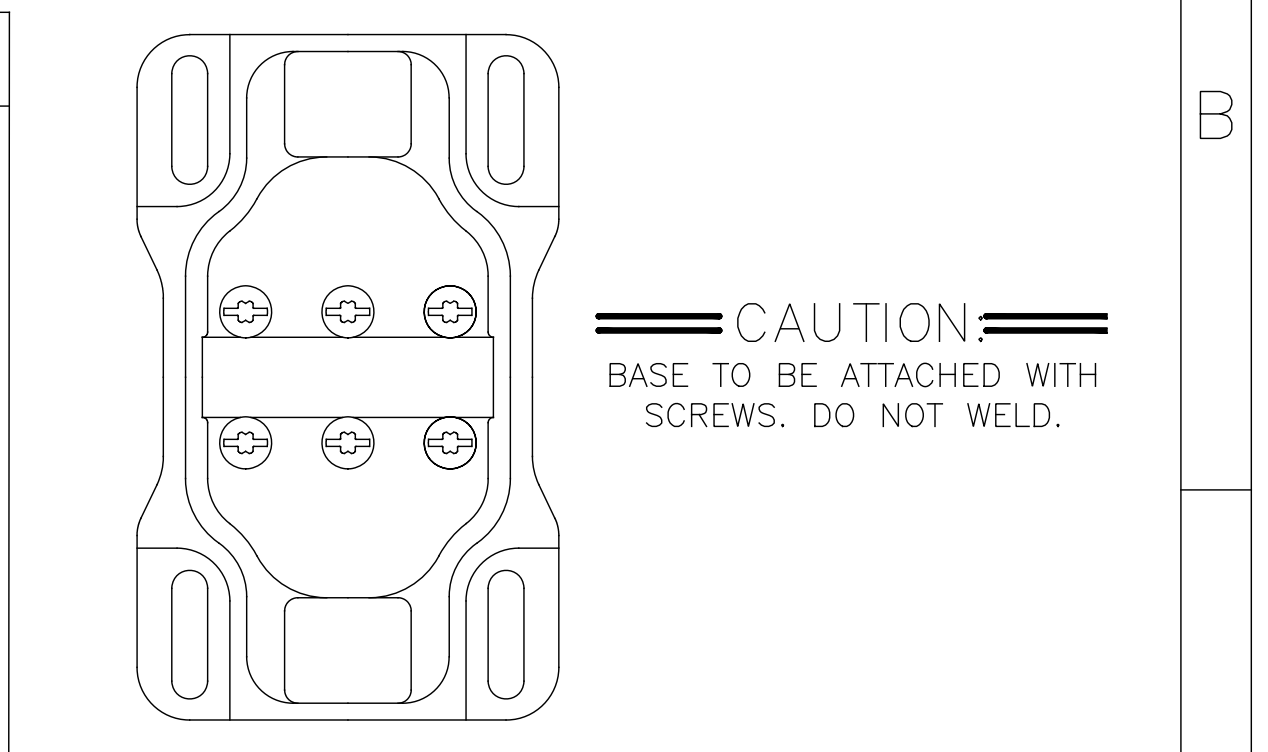


NAMEPLATE DATA		EXTERNAL CONNECTION DIAGRAM	NOTES
MODEL: H1010ES CUST PN: P56AH82A01 HP: 1.0 SF: 1.15 ROT: RCC RPM: 3450 TYPE: SC FORM: CODE: M FRAME: J56J VOLTS: 230/460 AMPS: 3.0/1.5 MAX AMPS: - SF AMPS: 3.4/1.7 PH: 3 HZ: 60 INS: B AMB: 40°C DUTY: CONT ENCLOSURE: TEFC			<ul style="list-style-type: none"> ▲ PILOT DIAMETER IS CONCENTRIC WITH SHAFT CENTERLINE WITHIN .004 T.I.R. ▲ FACE OF MOUNTING FLANGE IS PERPENDICULAR TO SHAFT CENTERLINE WITHIN .004 T.I.R. 3. SHAFT RUNOUT NOT TO EXCEED .002 T.I.R. 4. END PLAY NOT TO EXCEED .010 MEASURED WITH NO THRUST 5. ALL DIMENSIONS SHOWN IN PARENTHESIS ARE REFERENCE DIMENSIONS.



PERFORMANCE CURVE	APPROVED SAMPLE		
SS0010425			
UL COMPONENT	CSA		
FILE#	CCN#	FILE#	GUIDE#
E44549	PRGY2	LR4642	4211-01
CUSTOMER: REGAL DISTRIBUTION			

DRAWING REVISION	REVISION BY	DATE	TOLERANCES UNLESS OTHERWISE SPECIFIED	DRAWN BY:	REGAL™ Regal Beloit America, Inc.
A			DEC. INCH mm ANGLE	MEO	
ECO	APPROVED BY	DATE	.X ±0.1 [±2.5] ±0.5°	DATE:	DESCRIPTION: MODEL-CFHP-56FR
ECO-98414			.XX ±0.02 [±0.51]	03/11/16	
ECO DESCRIPTION			.XXX ±0.005 [±0.127]	APPROVED BY:	MATERIAL: PROCESS/FINISH:
NEW			.XXXX ±0.0005 [±0.0127]	JDR	
<small>COPYRIGHT REGAL BELOIT AMERICA, INC. ALL RIGHTS RESERVED. PROPRIETARY AND CONFIDENTIAL INFORMATION - THIS DOCUMENT IS THE PROPERTY OF REGAL BELOIT AMERICA, INC. (OWNER) AND CONTAINS OWNER'S PROPRIETARY INFORMATION. ANY PERSON, CORPORATION OR OTHER FIRM RECEIVING IT IS DEEMED, BY RECEIVING IT, TO AGREE THAT IT, AND/OR ANY PART OF IT, SHALL NOT BE DISCLOSED TO ANY PERSON, CORPORATION OR OTHER ENTITY, DUPLICATED, AND/OR USED, EXCEPT AS EXPRESSLY APPROVED IN WRITING IN ADVANCE BY OWNER. THIS DOCUMENT SHALL BE RETURNED TO OWNER UPON REQUEST. IT MAY BE SUBJECT TO CERTAIN RESTRICTIONS UNDER APPLICABLE EXPORT CONTROL LAWS AND REGULATIONS.</small>			REMOVE BURRS & BREAK SHARP EDGES .003/.015 [0.076/.381] CORNER FILLETS .02 [0.51] MACHINED SURFACES 125/INCH 3.2/mm	DATE:	SHEET 1
			THIRD ANGLE PROJECTION	03/11/16	
			mm SHOWN IN [BRACKETS]	REFERENCE	SIZE DWG NO: H1010ES