

GENERAL INFORMATION:

SHAFT RUNOUT: .001[.03] T.I.R. PER INCH LENGTH OF EXTENSION.

END PLAY: .010[.03] TO .063[1.60]

BEARINGS: SLEEVE

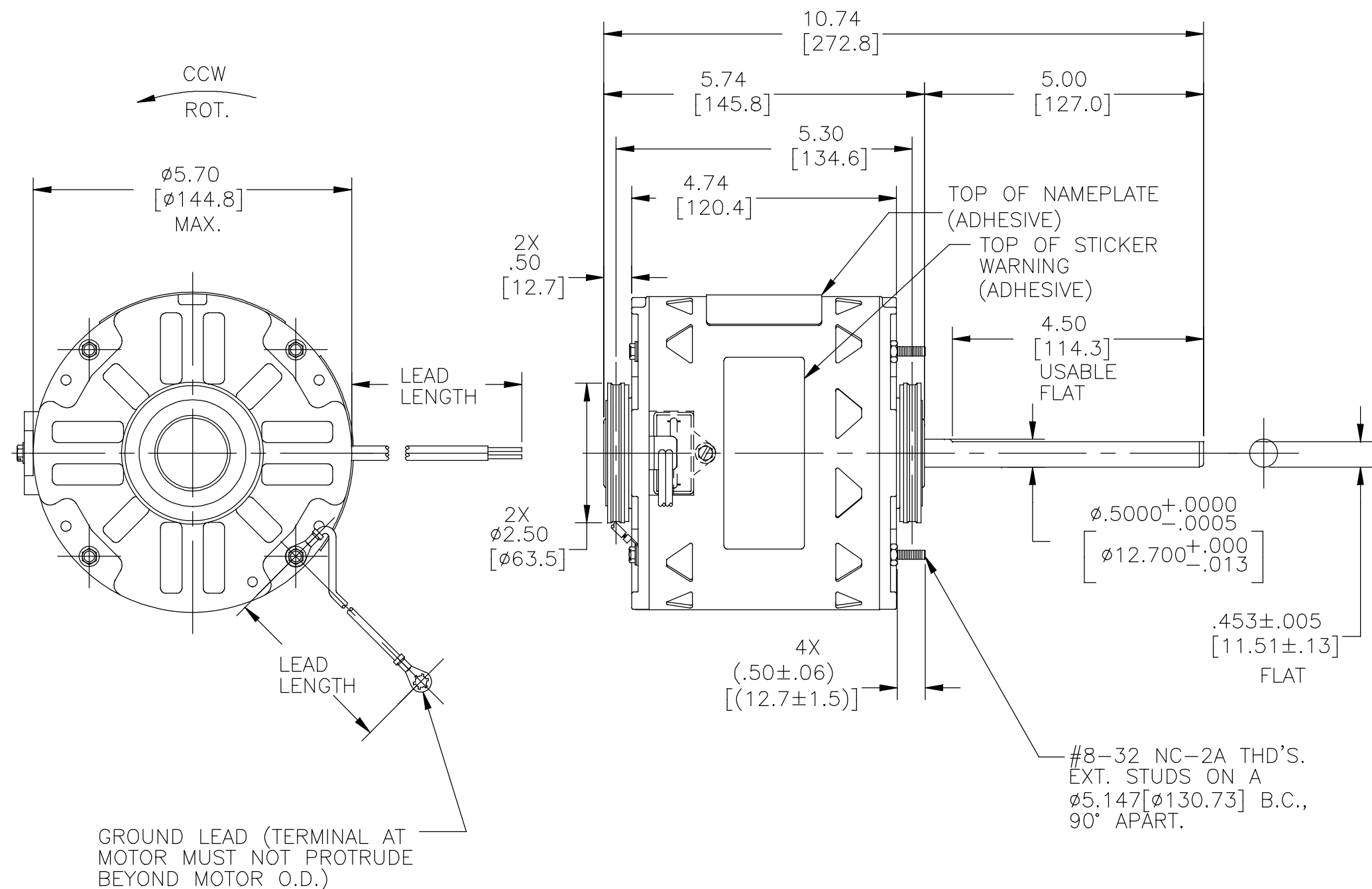
MOUNTING POSITION: HORIZONTAL

ELECTRICAL DATA:

OVERLOAD PROTECTOR: AUTOMATIC RESET (T.I. 7AM 032)

LEADS: NO. 18 GA., .06[1.5] THK., 125°C INSUL.

GROUND LEAD: NO. 18 GA., .03[.8] THK., (GREEN) INSUL.



NAMEPLATE DATA:	EXTERNAL CONNECTION DIAGRAM
MODEL NO.: F48H20A01 CUST. P/N: FSP4026SH HP: 1/4 ROT.: CCWLE RPM: 1050 TYPE: UF FRAME: 48Y VOLTS: 230 PH: 1 AMPS: 2.4 (2.5 MAX) HZ: 60 INS.: A AMB.: 40° C DUTY: AIR OVER CAP.: 5 MFD/250 V ENCL: OPEN UL LOGO THERMALLY PROTECTED	
614131-231	

COLOR	LENGTH	TERMINAL OR STRIP LENGTH
GREEN(GRD)	9.0/11.0 [229/279]	#10 EYELET
BROWN	CONNECTED TO CAPACITOR	.19[4.8] FEMALE SPADE
BROWN	CONNECTED TO CAPACITOR	.19[4.8] FEMALE SPADE
2 CONDUCTOR RIPCORD	29.0/31.0 [737/787]	.60[15.2] SKIN

REGAL-BELOIT CORPORATION (RBC) PROVIDES TECHNICAL ASSISTANCE TO OUR CUSTOMERS IN SEVERAL AREAS. SINCE RBC DOES NOT RECEIVE ALL DATA CONCERNING THE USE AND APPLICATION OF THE MOTOR, THE SUITABILITY OF THE MOTOR FOR THE APPLICATION MUST BE DETERMINED BY THE CUSTOMER.

DIMENSIONS WITHOUT TOLERANCES ARE FOR REFERENCE ONLY.

MAIN FRAME - OLE	OPEN
END FRAME - OLE	OPEN
MAIN FRAME - LE	OPEN
END FRAME - LE	OPEN

CUSTOMER	DISTRIBUTION SERVICES

PERFORMANCE CURVE NO.	TORQUE @ 1050 RPM (25°C)	APPROVED SAMPLE	UL COMPONENT FILE #	CCN #	CSA FILE #	CLASS #
C31382	24.3 OZ. FT.	96AC220A	E46412	PRGY2	----	----

DRAWING REVISION	REVISION BY	DATE
B	NANCY LIU	11-10-2017
ECO	APPROVED BY	DATE
ECO-0134459	EDGAR BAEZA	11-10-2017
ECO DESCRIPTION SEE ECO		

COPYRIGHT REGAL-BELOIT AMERICA, INC. ALL RIGHTS RESERVED. PROPRIETARY AND CONFIDENTIAL INFORMATION - THIS DOCUMENT IS THE PROPERTY OF REGAL-BELOIT AMERICA, INC. (OWNER) AND CONTAINS OWNER'S PROPRIETARY INFORMATION. ANY PERSON, CORPORATION OR OTHER FIRM RECEIVING IT IS DEEMED, BY RECEIVING IT, TO AGREE THAT IT, AND/OR ANY PART OF IT, SHALL NOT BE DISCLOSED TO ANY PERSON, CORPORATION OR OTHER ENTITY, DUPLICATED, AND/OR USED, EXCEPT AS EXPRESSLY APPROVED IN WRITING IN ADVANCE BY OWNER. THIS DOCUMENT SHALL BE RETURNED TO OWNER UPON REQUEST. IT MAY BE SUBJECT TO CERTAIN RESTRICTIONS UNDER APPLICABLE EXPORT CONTROL LAWS AND REGULATIONS.

DRAWN BY: B.ZHAO	Regal Beloit America, Inc.
DATE: 01-19-2012	
APPROVED BY: B.SHEN	DESCRIPTION MODEL-RFHP-48FR OUTLINE
DATE: 01-19-2012	MATERIAL
PROCESS/FINISH	
THIRD ANGLE PROJECTION	SIZE DWG NO C FSP4026SH
	SHEET 1