

4

3

2

1

GENERAL INFORMATION:

SHAFT RUNOUT: .001 [.03] T.I.R. PER INCH LENGTH OF EXTENSION

END PLAY: .010[.25] TO .063 [1.60]

BEARINGS: SLEEVE

MOUNTING POSITION: ALL ANGLE

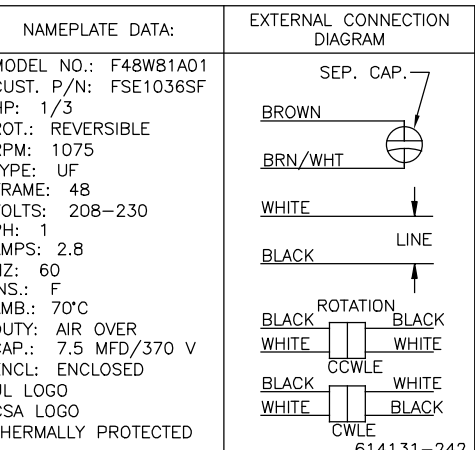
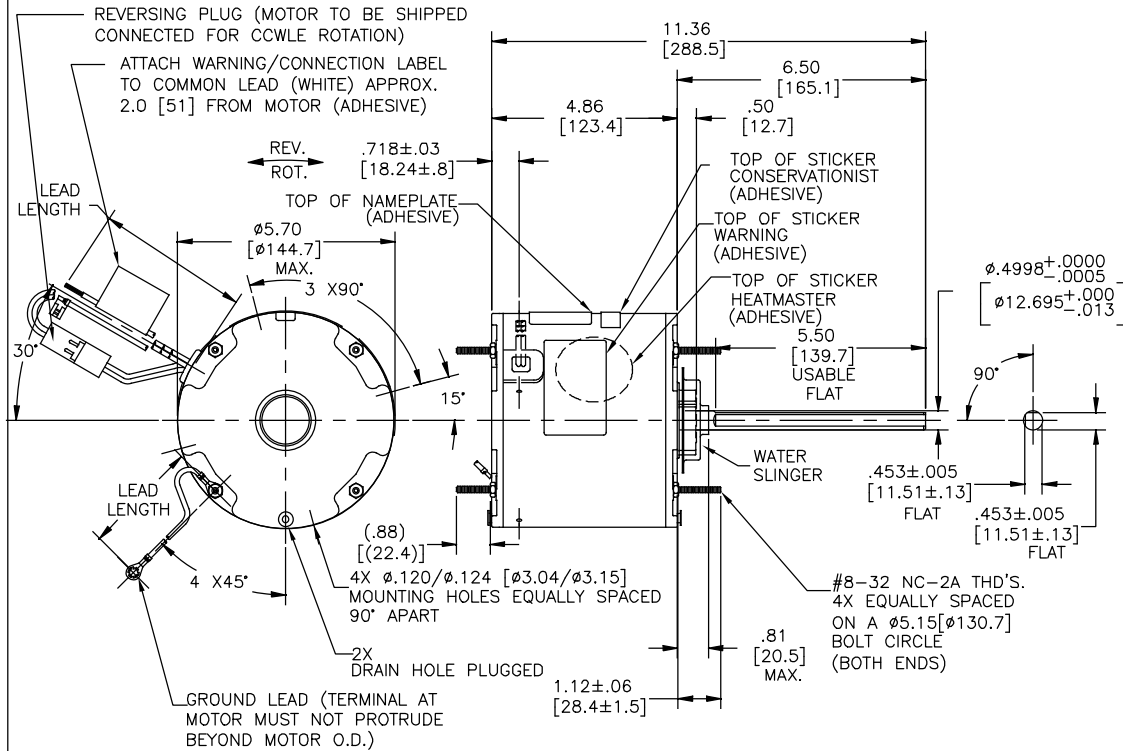
ELECTRICAL DATA:

OVERLOAD PROTECTOR: AUTOMATIC RESET (SENSATA 7AM 304)

LINE LEADS: NO. 18 GA., .06 [1.5] THK. XLP 125°C INSUL.

REVERSING LEADS: NO. 18 GA., .03 [.8] THK. XLP 125°C INSUL.

GROUND LEAD: NO. 18 GA., .03 [.8] THK. (GREEN) INSUL.



PERFORMANCE CURVE NO.	TORQUE @1075 RPM (25°C)	APPROVED SAMPLE	UL COMPONENT	CSA
FILE #	CCN #	FILE #	CLASS #	
C32512	42.9 OZ. FT.	0500464A	E46412 PRGY2	LR43341 4211-01

COLOR	LENGTH	TERMINAL OR STRIP LENGTH
GREEN (GROUND)	12.0/13.0 [305/330]	#10 EYELET
BLACK/WHITE	3.0/5.0 [76/127]	REVERSING PLUG
BROWN	48.0/51.0 [1219.2/1295.4]	.25 [6.4] FLAG
BROWN/WHITE	48.0/51.0 [1219.2/1295.4]	.25 [6.4] FLAG
WHITE	48.0/51.0 [1219.2/1295.4]	.50 [12.7] SKIN
BLACK	48.0/51.0 [1219.2/1295.4]	.50 [12.7] SKIN

ENCLOSURE
MAIN FRAME - OLE ENCLOSED
END FRAME - OLE ENCLOSED
MAIN FRAME - LE ENCLOSED
END FRAME - LE ENCLOSED

- NOTES:
- ATTACH INSTRUCTION SHEET 681572-003 ONTO SHAFT APPROX. 1.0[25] FROM WATER SLINGER(OR 69P9-3 ONLY USED IN MEXICO)
 - (4)SCREWS 615982-001 & (4) EXTRA HEX NUTS 7555A19H01 TO BE PUT IN A POLYBAG.

DRAWING REVISION: F ECO: ECO-0166568 ECO DESCRIPTION: SEC. ECO	REVISION BY: CELINE ZHAO APPROVED BY: KEYUN GONG DATE: 05-23-2019 DATE: 05-23-2019	DRAWN BY: A. NAJERA DATE: 05-02-2011 APPROVED BY: J. RUPERT DATE: 05-02-2011 PROCESS/FINISH: - THIRDS ANGLE PROJECTION: C	REGAL BELTO AMERICA, INC. DESCRIPTION: MODEL-RFHP-48FR OUTLINE MATERIAL: - SIZE DWG NO: FSE1036SF SHEET: 1
----------------------------------------------------------------------	---------------------------------------------------------------------------------------------	------------------------------------------------------------------------------------------------------------------------------------------	------------------------------------------------------------------------------------------------------------------------

4

3

2

1