

REV	ECO	REV BY	DATE	APPD	DATE
B	0025550	A. ARREOLA	04-27-2012	D. BALDERRAMA	04-27-2012

**GENERAL INFORMATION:**

SHAFT RUNOUT: .001[.03] T.I.R. PER INCH[24.4mm] LENGTH OF EXTENSION.

END PLAY: .010[.25] TO .063[1.60]

BEARINGS: SLEEVE

MOUNTING POSITION: ALL ANGLE

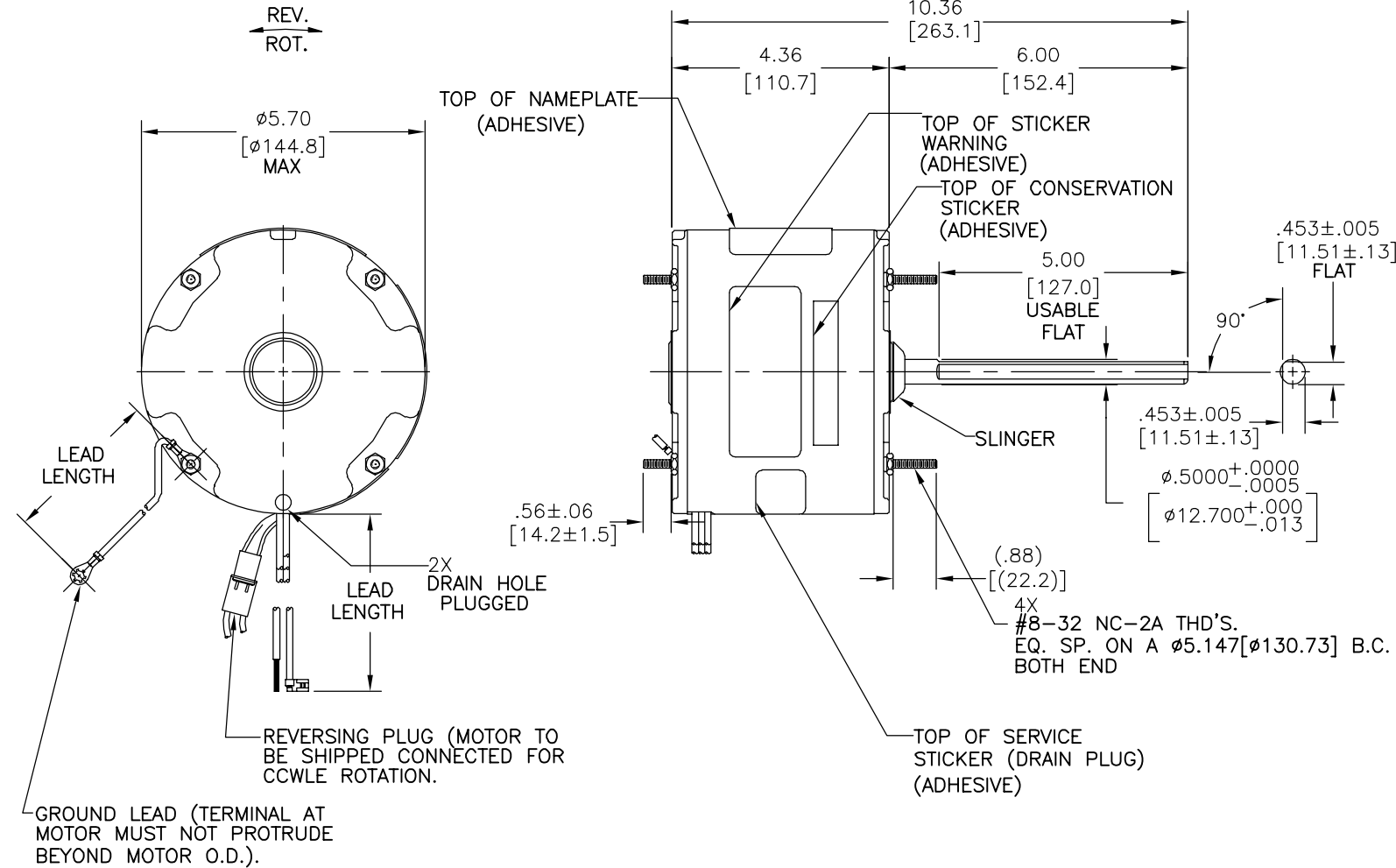
**ELECTRICAL DATA:**

OVERLOAD PROTECTOR: AUTOMATIC RESET (T.I. 7AM 036)

LEADS: NO. 18 GA., .06[1.5] THK., 125°C INSUL.

REVERSING LEADS: NO. 18 GA., .06[1.5] THK., 125°C INSUL.

GROUND LEAD: NO. 18 GA., .03[.8] THK., (GREEN) INSUL.



NOTE:  
1. DISTRIBUTION PART NUMBER: FSE1026  
GRAINGER PART NUMBER: 4MB33

COLOR	LENGTH	TERMINAL OR STRIP LENGTH
BLACK/WHITE	3.0[76]/5.0[127]	REVERSING PLUG
GREEN(GRD)	12.0[305]/13.0[330]	#10 EYELET
BROWN/WHITE	26.0[660]/28.0[711]	.25[6.4] FLAG
BROWN	26.0[660]/28.0[711]	.25[6.4] FLAG
YELLOW	26.0[660]/28.0[711]	.50[12.7] SKIN
BLACK	26.0[660]/28.0[711]	.50[12.7] SKIN
RED	26.0[660]/28.0[711]	.50[12.7] SKIN

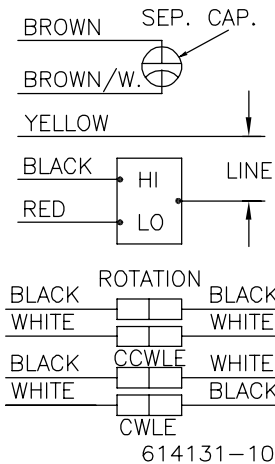
MAIN FR.-OLE	ENCLOSED
END FR.-OLE	ENCLOSED
MAIN FR.-LE	ENCLOSED
END FR.-LE	ENCLOSED

CUSTOMER	DISTRIBUTION SERVICE
----------	----------------------

**NAMEPLATE DATA:**

MODEL: F48SJ6L6  
CUST. P/N: [ ]  
HP: 1/4  
ROT: REVERSIBEL  
RPM: 1075/2 SPD.  
TYPE: UF  
FRAME: 48Y  
VOLTS: 208-230  
PH: 1  
AMPS: 1.3 (1.8 MAX)  
HZ: 60  
INS: B  
AMB: 60 °C  
DUTY: AIR OVER  
CAP.: 5 MFD/370 V  
ENCL: ENCLOSED  
UL LOGO  
THERMALLY PROTECTED

**EXTERNAL CONNECTION DIAGRAM**



614131-109

PREFORMANCE CURVE NO.	TORQUE @ 1075 RPM(25°C)	APPROVED SAMPLE	UL COMPONENT FILE#	CCN#	CSA FILE#	CLASS#
C22894	27.0 OZ. FT.	EX11196	E46412	PRGY2	LR43341	4211-01

**GEOMETRIC CHARACTERISTICS & SYMBOLS**  
 ▮ FLATNESS  
 - STRAIGHTNESS  
 < ANGLARITY  
 ⊥ PERPENDICULARITY (SQUARENESS)  
 // PARALLELISM  
 ○ ROUNDNESS (CIRCULARITY)  
 ∅ CYLINDRICITY  
 △ PROFILE OF ANY SURFACE  
 ∩ PROFILE OF ANY LINE  
 ↑ RUNOUT  
 ⊕ TRUE POSITION  
 ⊙ CONCENTRICITY  
 = SYMMETRY  
 ASME Y14.5M 1994

REGAL-BELOIT CORPORATION (RBC) PROVIDES TECHNICAL ASSISTANCE TO OUR CUSTOMERS IN SEVERAL AREAS. SINCE RBC DOES NOT RECEIVE ALL DATA CONCERNING THE USE AND APPLICATION OF THE MOTOR, THE SUITABILITY OF THE MOTOR FOR THE APPLICATION MUST BE DETERMINED BY THE CUSTOMER.

DIMENSIONS WITHOUT TOLERANCES ARE FOR REFERENCE ONLY.

DR BY: AS 02-14-2011  
 APPD: BS 02-14-2011  
 EDS DATE 11-11-2011  
 FORMAT REV G  
 THIRD ANGLE PROJECTION  
 CONFIDENTIAL: THIS DRAWING AND ITS INFORMATION ARE THE EXCLUSIVE AND CONFIDENTIAL PROPERTY OF REGAL-BELOIT CORPORATION AND ARE NOT TO BE DISCLOSED, DUPLICATED, DISTRIBUTED OR OTHERWISE USED WITHOUT THE WRITTEN CONSENT OF REGAL-BELOIT CORPORATION. -ALL RIGHTS RESERVED.

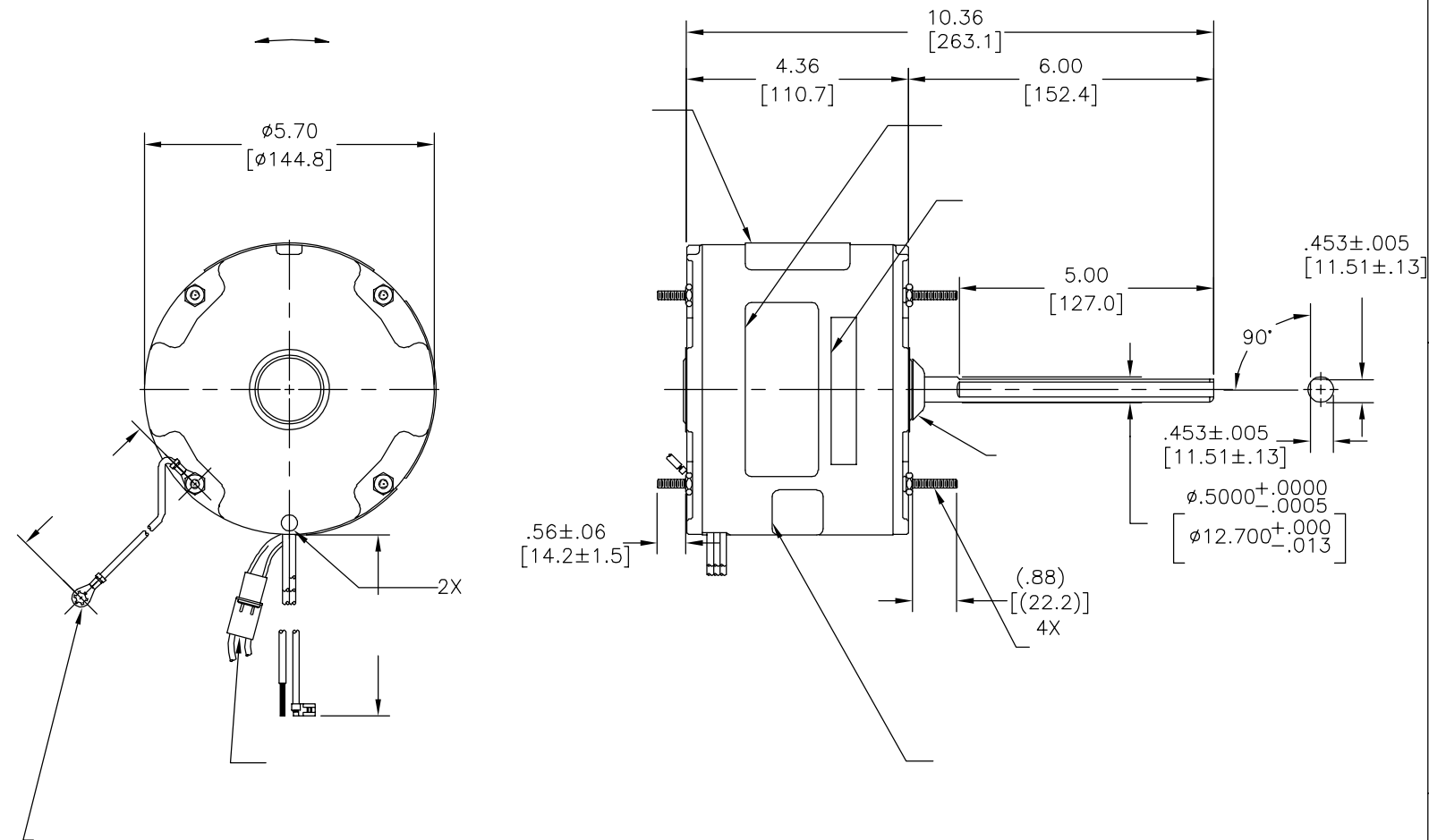
**REGAL-BELOIT CORPORATION**

DESCRIPTION: MODEL-RFHP-48FR OUTLINE

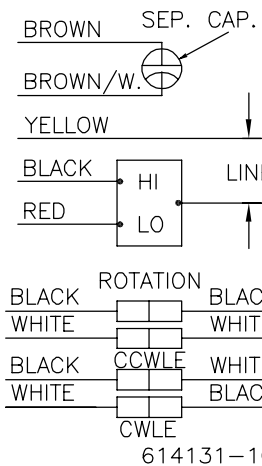
SIZE: C DWG NO: F48SJ6L6

SCALE: NONE SHEET: 1

REVISION:	ECO	REVISADO POR:	FECHA:	APROBADO POR:	FECHA:
B	0025550	A. ARREOLA	04-27-2012	D. BALDERRAMA	04-27-2012



MODEL: F48SJ6L6  
 CUST. P/N: [ ]  
 HP: 1/4  
 ROT: REVERSIBEL  
 RPM: 1075/2 SPD.  
 TYPE: UF  
 FRAME: 48Y  
 VOLTS: 208-230  
 PH: 1  
 AMPS: 1.3 (1.8 MAX)  
 HZ: 60  
 INS: B  
 AMB: 60 °C  
 DUTY: AIR OVER  
 CAP.: 5 MFD/370 V  
 ENCL: ENCLOSED  
 UL LOGO  
 THERMALLY PROTECTED



	3.0[76]/5.0[127]	
	12.0[305]/13.0[330]	
	26.0[660]/28.0[711]	.25[6.4]
	26.0[660]/28.0[711]	.25[6.4]
	26.0[660]/28.0[711]	.50[12.7]
	26.0[660]/28.0[711]	.50[12.7]
	26.0[660]/28.0[711]	.50[12.7]

C22894	27.0 OZ. FT.	EX11196	E46412	PRGY2	LR43341	4211-01
--------	--------------	---------	--------	-------	---------	---------

CUSTOMER	DISTRIBUTION SERVICE
----------	----------------------

CARACTERISTICAS DE GEOMETRIA Y SIMBOLOS  
 ▽ PLANICIDAD  
 — RECTITUD  
 < ANGULARIDAD  
 ⊥ PERPENDICULARIDAD (A ESCUADRA)  
 // PARALELISMO  
 ○ REDONDEZ (CIRCULARIDAD)  
 ∅ CILINDRICIDAD  
 △ PERFIL DE CUALQUIER SUPERFICIE  
 ▲ PERFIL DE CUALQUIER LINEA  
 ↗ VARIACION  
 ⊕ POSICION REAL  
 ⊙ CONCENTRICIDAD  
 = SIMETRIA  
 ASME Y14.5M 1994

REGAL-BELOIT CORPORATION (RBC)  
 PROVEE ASISTENCIA TECNICA A  
 NUESTROS CLIENTES EN VARIAS AREAS.  
 DESDE QUE RBC NO RECIBE TODOS  
 LOS DATOS EN RELACION AL USO Y A  
 LA APLICACION DEL MOTOR, LA  
 APLICACION ADECUADA DEL MOTOR  
 DEBE SER DETERMINADA POR EL  
 CLIENTE.

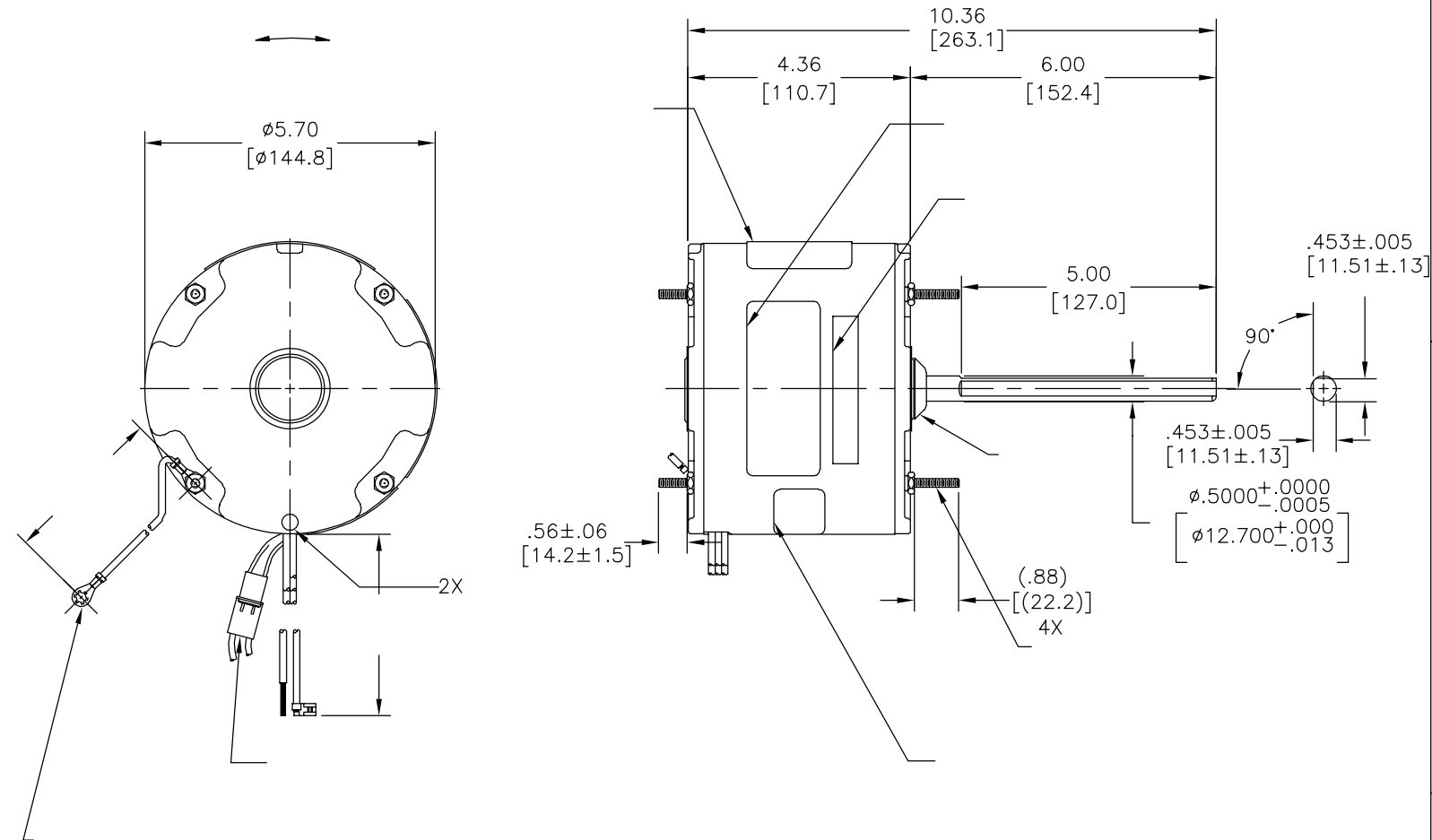
DIMENSIONES SIN TOLERANCIA SON  
 DE REFERENCIA SOLAMENTE

DIBUJADO POR: AS 02-14-2011  
 APROBADO POR: BS 02-14-2011  
 TERCER ANGULO DE PROYECCION  
 CONFIDENCIAL: ESTE DIBUJO Y SU INFORMACION SON PROPIEDAD DE USO EXCLUSIVO Y CONFIDENCIAL DE REGAL-BELOIT CORPORATION. Y NO DEBERAN SER REVELADOS, DUPLICADOS, DISTRIBUIDOS O USARSE DE OTRA MANERA SIN EL CONSENTIMIENTO ESCRITO DE REGAL-BELOIT CORPORATION. -TODOS LOS DERECHOS RESERVADOS.

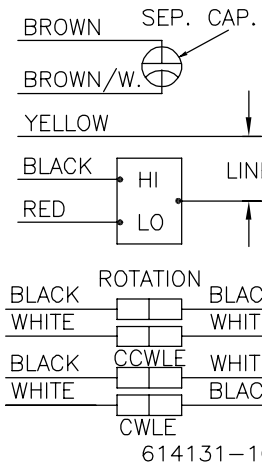


DESCRIPCION: MODEL-RFHP-48FR OUTLINE  
 TAMAÑO: C NUMERO DE DIBUJO: F48SJ6L6  
 ESCALA: NONE HOJA: 1

版本	ECO	编制	日期	批准	日期
B	0025550	A. ARREOLA	04-27-2012	D. BALDERRAMA	04-27-2012



MODEL: F48SJ6L6  
 CUST. P/N: [ ]  
 HP: 1/4  
 ROT: REVERSIBEL  
 RPM: 1075/2 SPD.  
 TYPE: UF  
 FRAME: 48Y  
 VOLTS: 208-230  
 PH: 1  
 AMPS: 1.3 (1.8 MAX)  
 HZ: 60  
 INS: B  
 AMB: 60 °C  
 DUTY: AIR OVER  
 CAP.: 5 MFD/370 V  
 ENCL: ENCLOSED  
 UL LOGO  
 THERMALLY PROTECTED



	3.0[76]/5.0[127]	
	12.0[305]/13.0[330]	
	26.0[660]/28.0[711]	.25[6.4]
	26.0[660]/28.0[711]	.25[6.4]
	26.0[660]/28.0[711]	.50[12.7]
	26.0[660]/28.0[711]	.50[12.7]
	26.0[660]/28.0[711]	.50[12.7]


CUSTOMER	DISTRIBUTION SERVICE
----------	----------------------

- 形位公差
- 平面度
- 直线度
- ∠ 倾斜度
- ⊥ 垂直度
- // 平行度
- 圆度
- ⊘ 圆柱度
- △ 面轮廓度
- ∇ 线轮廓度
- ↗ 圆跳动
- ⊕ 位置度
- ⊙ 同轴度
- ≡ 对称度

ASME Y14.5M 1994

REGAL-BELOIT CORPORATION (RBC) 在个别领域为客户提供技术支持。鉴于RBC未收到任何涉及电机使用和应用环境的数据，电机的适用性由客户自己决定。

未注公差尺寸仅供参考。

绘图:	AS	02-14-2011
批准:	BS	02-14-2011
第三角投影		图纸格式发布日期 11-11-2011 图纸格式版本 G
机密: 本图纸及相关信息所有权归REGAL-BELOIT CORPORATION。未经REGAL-BELOIT CORPORATION书面授权, 不得泄露、复制、传播或作其他用途。一版权所有		



名称	MODEL-RFHP-48FR OUTLINE	
图幅	C	图号 F48SJ6L6
比例	NONE	页号 1