

GENERAL INFORMATION:

SHAFT RUNOUT: .001 [.03] T.I.R. PER INCH LENGTH OF EXTENSION

END PLAY: .010 TO .063 [.25 TO 1.60]

BEARINGS: SLEEVE

MOUNTING POSITION: HORIZONTAL OR VERTICAL SHAFT-UP

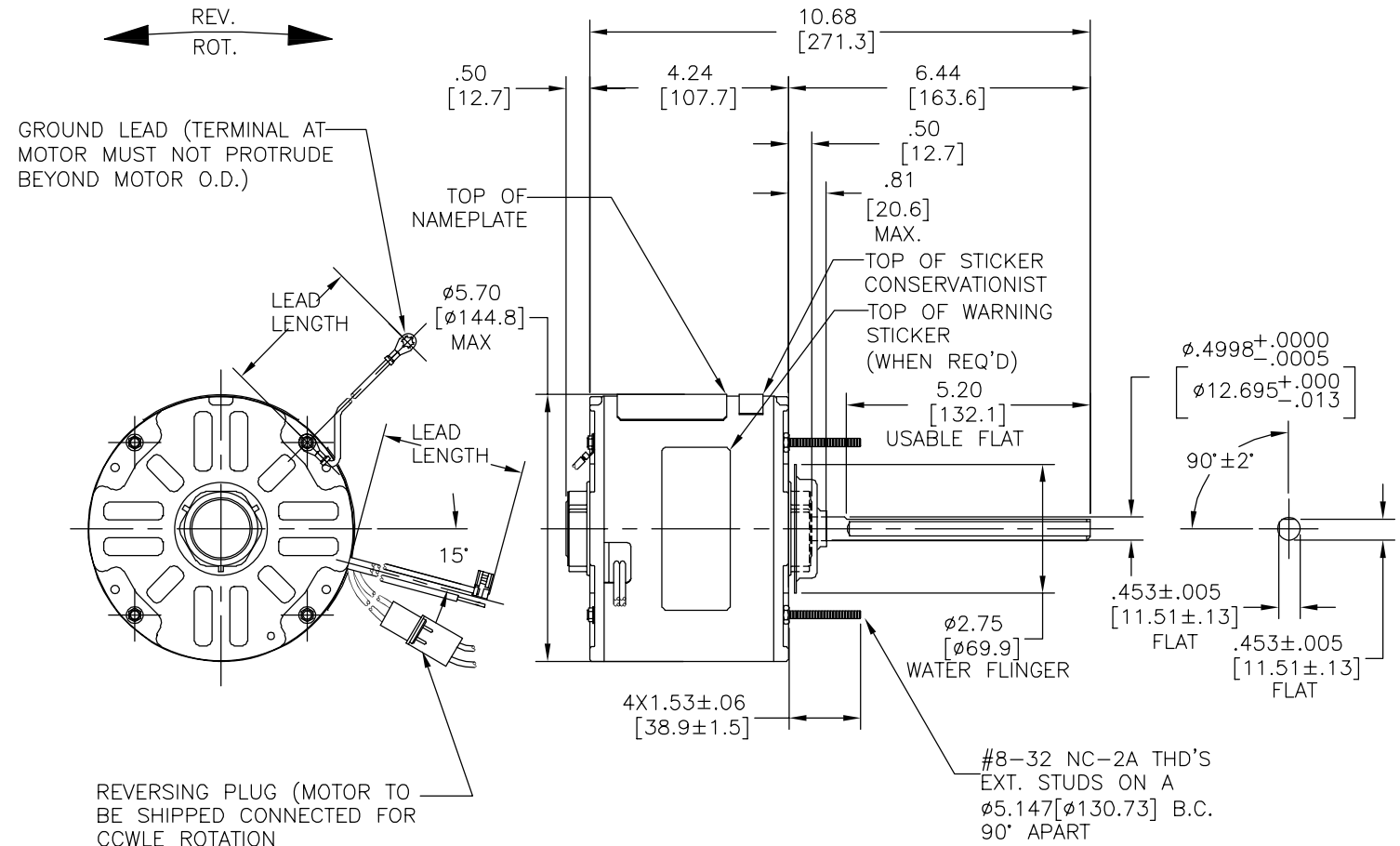
ELECTRICAL DATA:

OVERLOAD PROTECTOR: AUTOMATIC RESET (T.I. 7AM 034)

LINE LEADS: NO. 18 GA., .03 [.8] THK. 125°C INSUL.

REVERSING LEADS: NO. 18 GA., .03 [.8] THK. 125°C INSUL.

GROUND LEAD: NO. 18 GA., .03 [.8] THK. (GREEN) INSUL.



NOTES:  
1. MOUNTING RING 1014B28H03 (2 REQ'D.) TO BE PACKED WITH MOTOR

LEAD DATA		
COLOR	LENGTH	TERMINAL OR STRIP LENGTH
BLACK	26.0/28.0 [660/711]	.50 [12.7] SKIN
YELLOW	26.0/28.0 [660/711]	.50 [12.7] SKIN
BROWN	26.0/28.0 [660/711]	.25 [6.35] FLAG
BROWN/WHITE	26.0/28.0 [660/711]	.25 [6.35] FLAG
BLACK/WHITE	4.0/6.0 [102/152]	REVERSING PLUG
GREEN (GROUND)	12.0/13.0 [305/330]	#10 EYELET

REGAL-BELOIT CORPORATION (RBC) PROVIDES TECHNICAL ASSISTANCE TO OUR CUSTOMERS IN SEVERAL AREAS. SINCE RBC DOES NOT RECEIVE ALL DATA CONCERNING THE USE AND APPLICATION OF THE MOTOR, THE SUITABILITY OF THE MOTOR FOR THE APPLICATION MUST BE DETERMINED BY THE CUSTOMER.

DIMENSIONS WITHOUT TOLERANCES ARE FOR REFERENCE ONLY.

NAMEPLATE DATA:	EXTERNAL CONNECTION DIAGRAM
MODEL NO.: F48SH6L1 CUST. P/N: FS1037S HP: 1/3 ROT.: REVERSIBLE RPM: 1075 TYPE: UF FRAME: 48Y VOLTS: 208-230 PH: 1 AMPS: 2.4 HZ: 60 INS.: B AMB.: 60°C DUTY: AIR OVER CAP.: 5 MFD/370 V ENCL: SEMI-ENCL. UL LOGO CSA LOGO THERMALLY PROTECTED	

PERFORMANCE CURVE NO.	TORQUE @ 1075 RPM (25°C)	APPROVED SAMPLE	UL COMPONENT		CSA	
			FILE #	CCN #	FILE #	CLASS #
C22792	36.3 OZ. FT.	EX11144	E46412	PRGY2	LR43341	4211-01

ENCLOSURE	
END FRAME - LE	OPEN
MAIN FRAME - LE	ENCLOSED
END FRAME - OLE	ENCLOSED
MAIN FRAME - OLE	ENCLOSED

CUSTOMER	DISTRIBUTION SERVICE

DRAWING REVISION	REVISION BY	DATE
A	J. COX	11-20-2013
ECC	APPROVED BY	DATE
ECC-0041020	C. McREYNOLDS	11-20-2013

ECO DESCRIPTION  
CHANGE AMPS

COPYRIGHT REGAL-BELOIT AMERICA, INC. ALL RIGHTS RESERVED. PROPRIETARY AND CONFIDENTIAL INFORMATION - THIS DOCUMENT IS THE PROPERTY OF REGAL-BELOIT AMERICA, INC. (OWNER) AND CONTAINS OWNER'S PROPRIETARY INFORMATION. ANY PERSON, CORPORATION OR OTHER FIRM RECEIVING IT IS DEEMED, BY RECEIVING IT, TO AGREE THAT IT, AND/OR ANY PART OF IT, SHALL NOT BE DISCLOSED TO ANY PERSON, CORPORATION OR OTHER ENTITY, DUPLICATED, AND/OR USED, EXCEPT AS EXPRESSLY APPROVED IN WRITING IN ADVANCE BY OWNER. THIS DOCUMENT SHALL BE RETURNED TO OWNER UPON REQUEST. IT MAY BE SUBJECT TO CERTAIN RESTRICTIONS UNDER APPLICABLE EXPORT CONTROL LAWS AND REGULATIONS.

DRAWN BY:	REGAL	Regal Beloit America, Inc.
RP		
DATE:		
10-19-2006		
APPROVED BY:		
DATE:		
PROCESS/FINISH		
THIRD ANGLE PROJECTION		
SIZE DWG NO		
C	FS1037S	SHEET 1